

# Hunter®



## CONTROLLER PARTS PRICELIST

ROTORS SPRAYS VALVES CONTROLLERS SENSORS CENTRAL CONTROLS ACCESSORIES

# 10

EFFECTIVE NOVEMBER 2009



IN THIS PHOTO:  
**XC HYBRID**

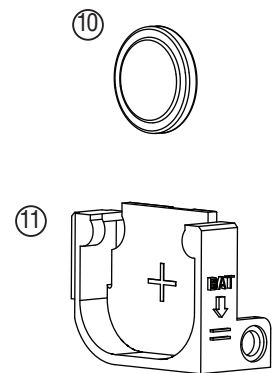
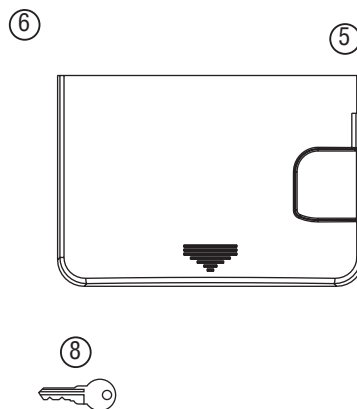
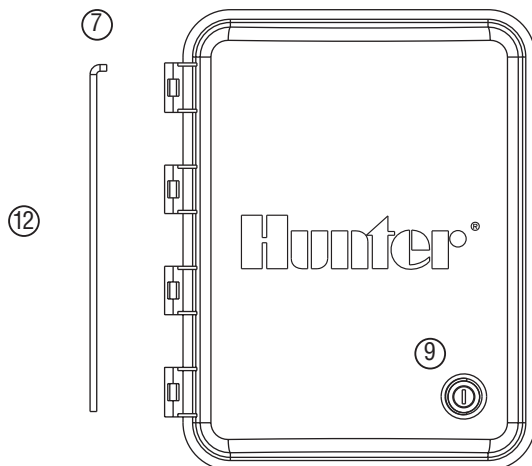
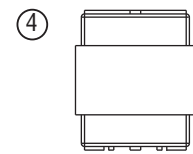
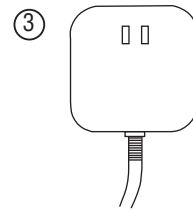
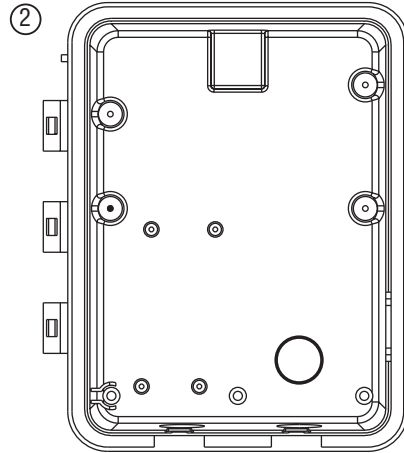
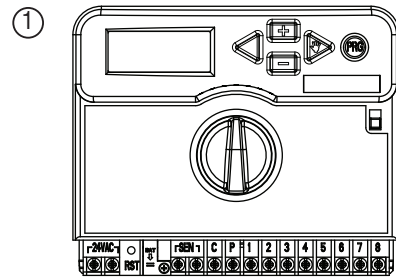


# TABLE OF CONTENTS

<b>XC Controller:</b> Residential Controller .....	1
<b>XC Hybrid Controller:</b> Residential Controller (Battery Operated) .....	2
<b>SRC Plus:</b> Residential/Light Commercial Controller .....	3
<b>Pro-C:</b> Indoor (PC-300i) & Outdoor (PC-300) Controllers .....	4
<b>PCC:</b> Indoor and Outdoor Controllers .....	5
<b>ICC:</b> Institutional/Commercial Controller (ICC-800PL & ICC-801PL) - Plastic Cabinet .....	6
<b>ICC:</b> Institutional/Commercial Controller (ICC-800M & 800SS) - Metal Cabinet .....	7
<b>ICC Plastic Pedestal</b> .....	8
<b>IMMS-CCC:</b> Irrigation Management and Monitoring System™ .....	9
<b>IMMS-SI:</b> Irrigation Management and Monitoring System™ .....	10
<b>IMMS-CI:</b> Irrigation Management and Monitoring System™ .....	11
<b>ACC Wall Mount Controllers</b> (ACC1200, ACC99D) .....	12
<b>ACC Pedestal Controllers</b> (ACC1200PP, AGC1200PP, AGC99DPP) .....	13
<b>Steel Controller Enclosure Parts</b> (IDSSP, IDSSW) .....	14
<b>Plastic Pedestal Kits</b> IDS-PP .....	15
<b>Plastic Wall Enclosure Kits</b> IDS-PW .....	16
<b>IDS Decoder Controller Components</b> .....	17
<b>ET Systems</b> .....	18
<b>ICR:</b> Remote Control Unit .....	19
<b>ROAM:</b> Remote Control Unit .....	20
<b>SVC &amp; WVC Controllers</b> .....	21
<b>PSR-22, PSR-52, PSR-53:</b> Pump Start Relays .....	22
<b>PSR-B:</b> Pump Start Relay Booster .....	23

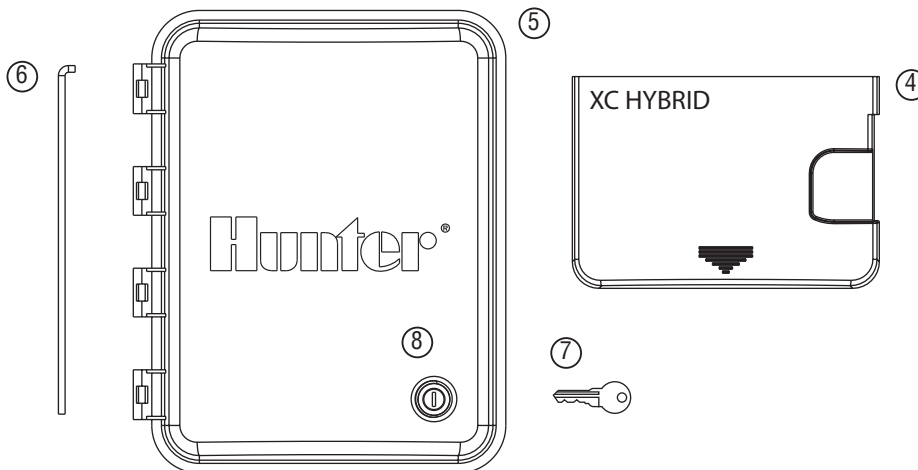
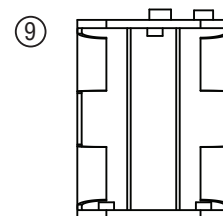
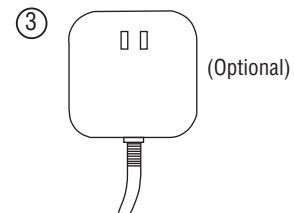
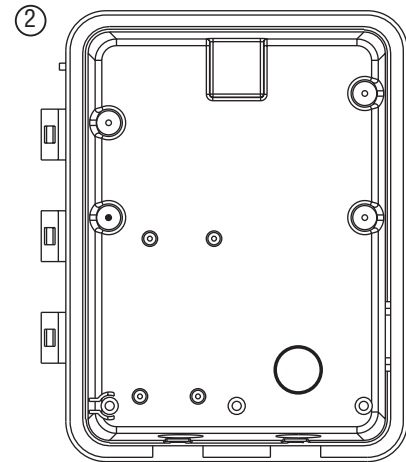
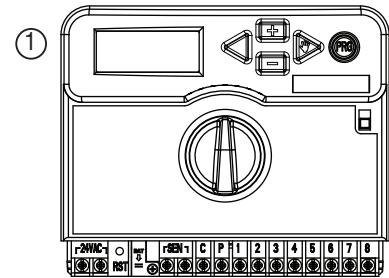
# XC Controller: Residential Controller

Item	Description	Catalog No.	Price
①	Front Panel ( <i>Outdoor &amp; Indoor</i> )	2-Station	625802 \$65.00
		4-Station	625804 \$75.00
		6-Station	625806 \$85.00
		8-Station	625808 \$95.00
②	Cabinet	527100	\$27.00
③	Indoor Transformer	120/24VAC (U.S.)	526500 \$32.00
		230/24VAC (European)	545700 \$32.00
		240/24VAC (Australian)	545500 \$32.00
④	Outdoor Transformer	120/24VAC (U.S.)	468000 \$32.00
		230/24VAC (European)	545800 \$32.00
		240/24VAC (Australian)	545600 \$32.00
⑤	Access Door	Indoor Model	471020 \$5.00
		Outdoor Model	471010 \$5.00
⑥	Front Door	428000	\$16.00
⑦	Front Door Hinge Pin	429200	\$2.00
⑧	Key Set (2)	122516	\$5.00
⑨	Lock & Key Set	387300	\$12.00
⑩	3-Volt Lithium Battery ( <i>CR2032</i> )	622032	\$5.00
⑪	Battery Holder	627800	\$5.00
⑫	Cabinet Assembly ( <i>Includes Cabinet, Front Door, Door Pin, and Lock and Key Set</i> )	213000	\$40.00
	Owner's Manual	English, Spanish, French, Italian, German	LIT-397 \$2.00
		Portuguese	INT-572 \$2.00
	Faceplate Overlay	Spanish	INT-578 \$1.00
		French	INT-577 \$1.00
		Italian	INT-579 \$1.00
		German	INT-580 \$1.00
		Portuguese	INT-571 \$1.00



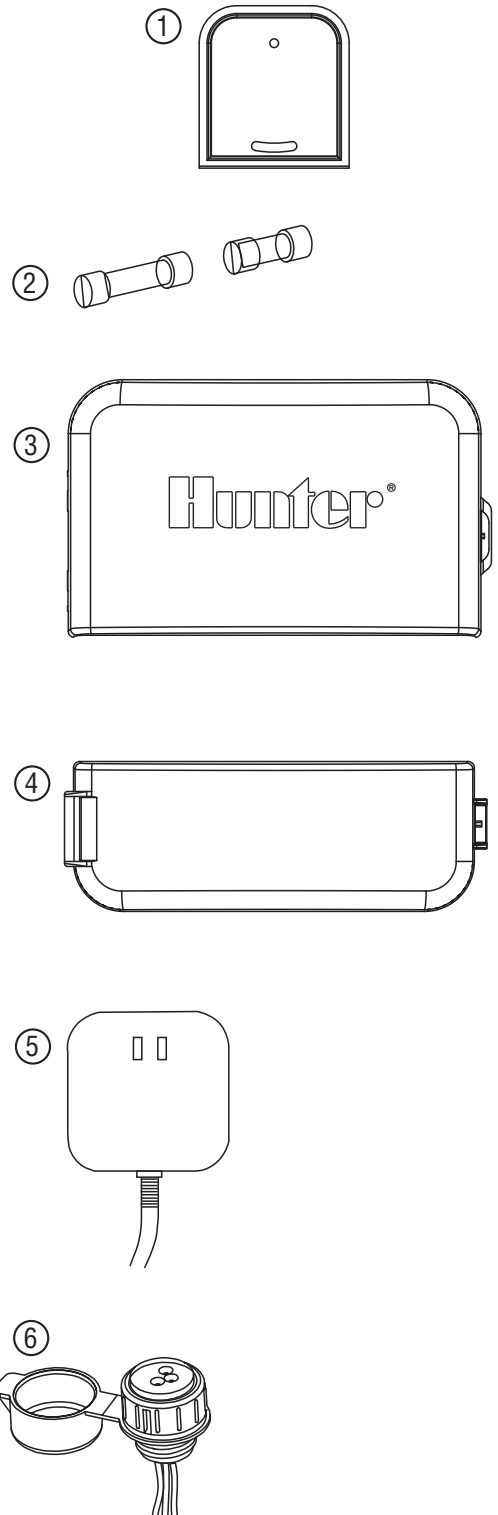
# XC Hybrid Controller: Residential Controller (Battery Operated)

Item	Description	Catalog No.	Price
①	Front Panel ( <i>Outdoor &amp; Indoor</i> )	4-Station	152515 \$75.00
		6-Station	152520 \$85.00
		8-Station	152525 \$95.00
		10-Station	152500 \$105.00
		12-Station	152505 \$110.00
②	Cabinet	527100	\$27.00
③	Indoor Transformer ( <i>Optional</i> )	120/24VAC (U.S.)	526500 \$32.00
		230/24VAC (European)	545700 \$32.00
		240/24VAC (Australian)	545500 \$32.00
④	Access Door	Outdoor Model	471010 \$5.00
⑤	Front Door		428000 \$16.00
⑥	Front Door Hinge Pin		429200 \$2.00
⑦	Key Set (2)		122516 \$5.00
⑧	Lock & Key Set		387300 \$12.00
⑨	Battery Holder ( <i>6AA Not Included</i> )		152105 \$10.00
	Owner's Manual	English, Spanish, French, Italian, German	LIT-459 \$2.00
	Faceplate Overlay	Spanish	INT-649 \$1.00
		French	INT-650 \$1.00
		Italian	INT-651 \$1.00
		German	INT-653 \$1.00
		Portuguese	INT-652 \$1.00



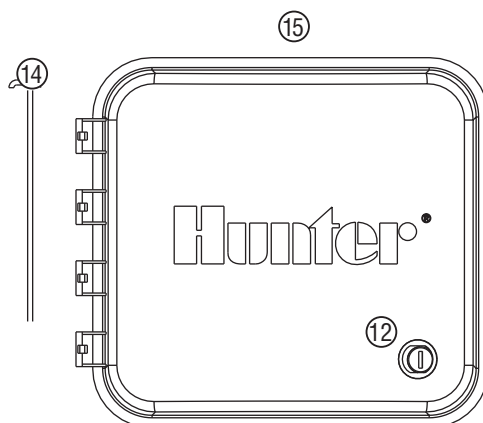
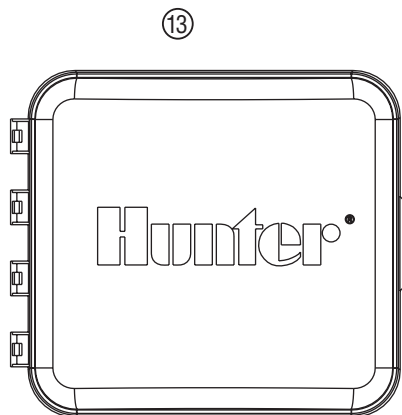
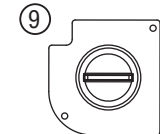
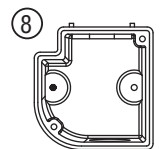
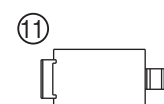
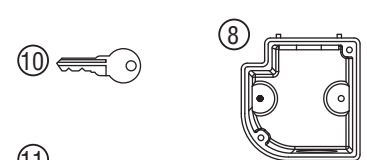
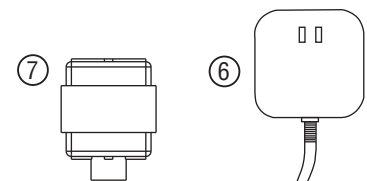
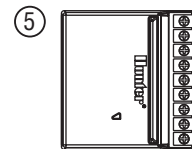
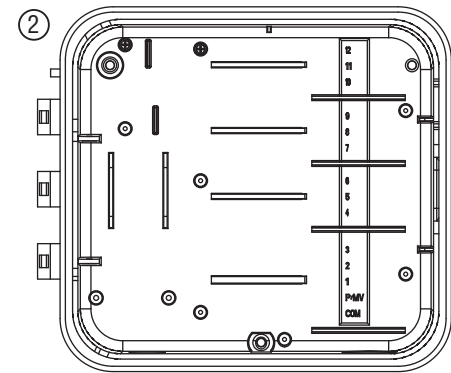
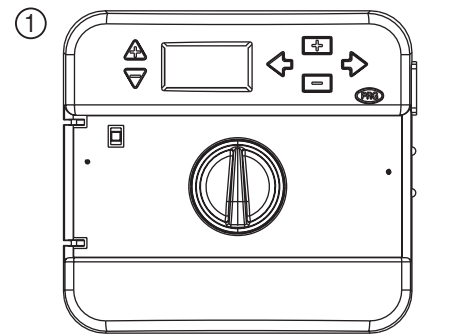
# SRC Plus: Residential/Light Commercial Controller

Item	Description	Catalog No.	Price	
①	Mounting Plate	213354	\$5.00	
②	Fuses ( <i>Required for SRCs mfg. prior to Jan 2004</i> )	Long 1¼", 0.75A	142845	\$1.50
		Short 5 x 20 mm, 0.8A	143154	\$1.50
③	Door	217389	\$10.00	
④	Terminal Cover Door	213243	\$7.00	
⑤	Transformer Plug-In	120/24V 20VA (U.S.)	153263	\$32.00
		220VAC/50Hz (Export)	153400	\$32.00
⑥	SmartPort® Wiring Harness	6' Wire	SRR-WH	\$15.00
		25' Wire - Shielded	SRR-SCWH	\$20.00
	Owner's Manual	English	LIT-185	\$2.00
	International Labeling Kit ( <i>Includes Faceplate Label, Door Instruction Sticker, and Owner's Manual</i> )	French	INT-260	\$5.25
		Spanish	INT-261	\$5.25
		Italian	INT-262	\$5.25



# Pro-C: Indoor (PC-300i) & Outdoor (PC-300) Controllers

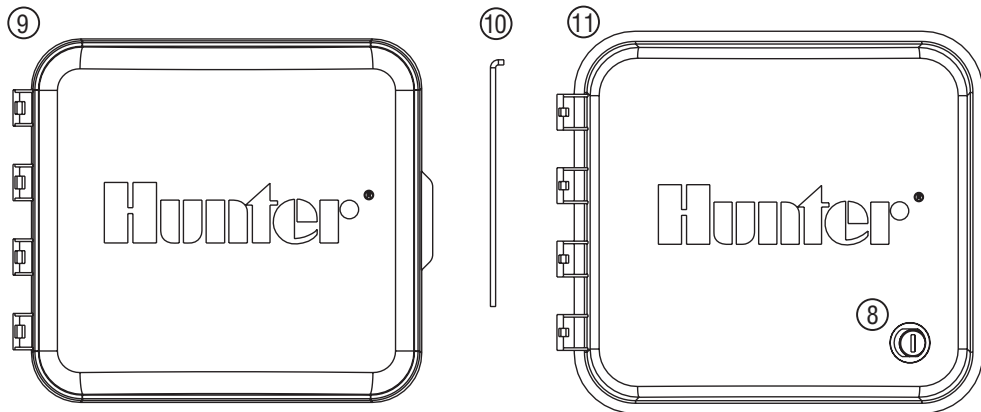
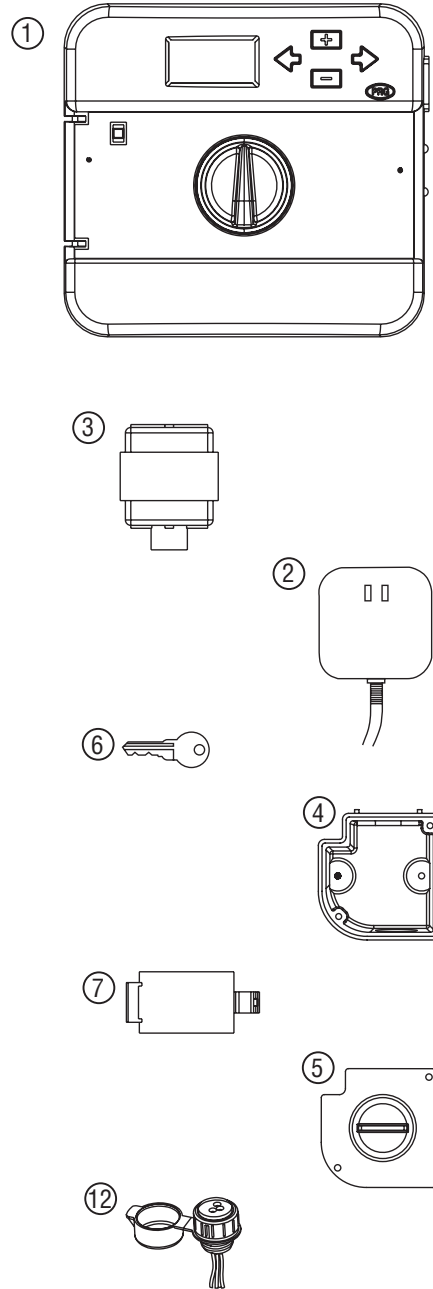
Item	Description	Catalog No.	Price	
①	Front Panel	526200	\$80.00	
②	Cabinet	Indoor Unit	463200	\$38.00
		Outdoor Unit	462800	\$48.00
③	Main Module	466500	\$60.00	
④	3-Station Module	PCM-300	\$47.00	
⑤	9-Station Module	PCM-900	\$195.00	
⑥	Indoor Transformer	120/24VAC (U.S.)	526500	\$32.00
		230/24VAC (European)	545700	\$32.00
		240/24VAC (Australian)	545500	\$32.00
⑦	Outdoor Transformer	120/24VAC (U.S.)	468000	\$32.00
		230/24VAC (European)	545800	\$32.00
		240/24VAC (Australian)	545600	\$32.00
⑧	Junction Box	464000	\$8.00	
⑨	Junction Box Cover	464100	\$5.00	
⑩	Key Set (2)	122516	\$5.00	
⑪	Battery Door	462900	\$2.00	
⑫	Lock & Key Set	387300	\$12.00	
⑬	Front Door (Without Lock)	Outdoor Unit	463100	\$16.00
⑭	Front Door Hinge Pin		464400	\$2.00
⑮	Front Door	Indoor Unit	463300	\$8.00
⑯	SmartPort® Wiring Harness	6' Wire	SRR-WH	\$15.00
		25' Wire - Shielded	SRR-SCWH	\$20.00
	Owner's Manual	English	LIT-329	\$2.00
	Hanging Card Kit	English	LIT-335	\$2.50
	International Kit (Includes Owner's Manual)	Spanish	INT-451	\$1.50
		French	INT-452	\$1.50
		Italian	INT-453	\$1.50
		German	INT-454	\$1.50
		Portuguese	INT-497	\$1.50





# PCC: Indoor and Outdoor Controllers

Item	Description	Catalog No.	Price
①	Front Panel	526200	\$80.00
②	Indoor Transformer	120/24VAC (US)	526500 \$32.00
		230/24VAC (European)	545700 \$32.00
		240/24VAC (Australian)	545500 \$32.00
③	Outdoor Transformer	120/24VAC (US)	468000 \$32.00
		230/24VAC (European)	545800 \$32.00
		240/24VAC (Australian)	545600 \$32.00
④	Junction Box	464000	\$8.00
⑤	Junction Box Cover	464100	\$5.00
⑥	Key Set (2)	122516	\$5.00
⑦	Battery Door	462900	\$2.00
⑧	Lock & Key Set	387300	\$12.00
⑨	Front Door (Without Lock)	Outdoor Unit	463100 \$16.00
⑩	Front Door Hinge Pin	464400	\$2.00
⑪	Front Door	Indoor Unit	463300 \$8.00
		Outdoor Unit	463100 \$16.00
⑫	SmartPort® Wiring Harness	6' Wire	SRR-WH \$15.00
		25' Wire - Shielded	SRR-SCWH \$20.00
	Owners Manual	English	LIT-794 \$2.00
	Hanging Card Kit	English	LIT-335 \$2.50
	International Kit (Includes Owners Manual)	Spanish	INT-831 \$1.50
		French	INT-832 \$1.50
		Italian	INT-833 \$1.50
		German	INT-847 \$1.50
		Portuguese	INT-846 \$1.50

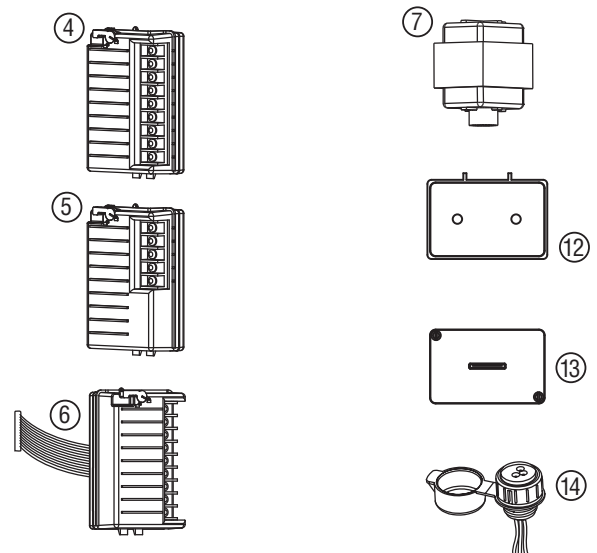
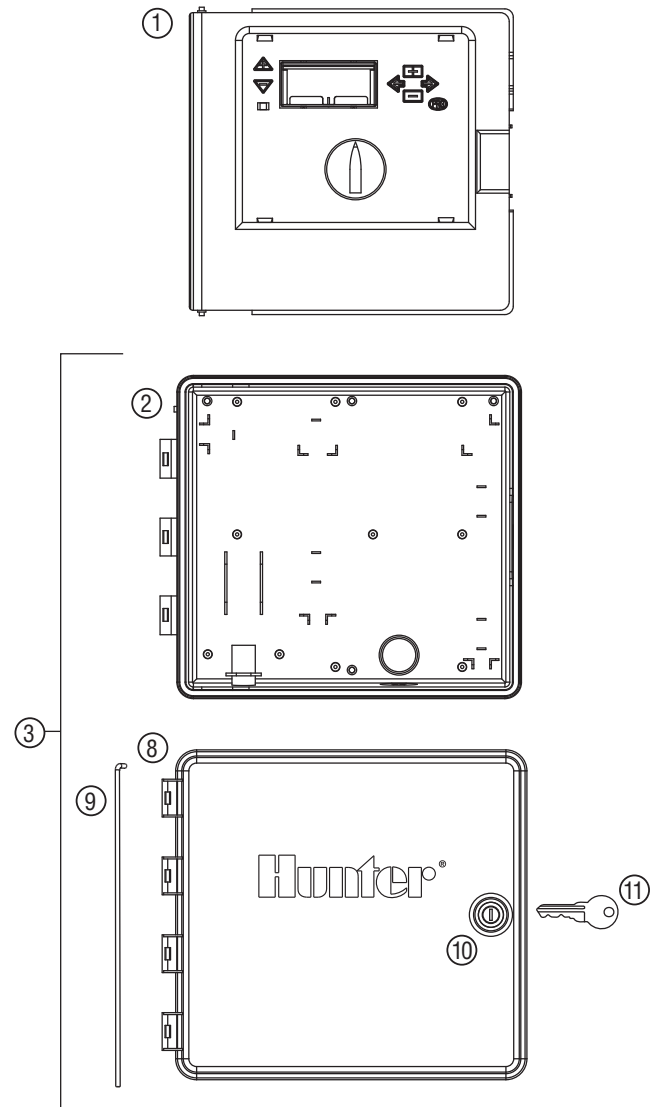




# ICC: Institutional/Commercial Controller

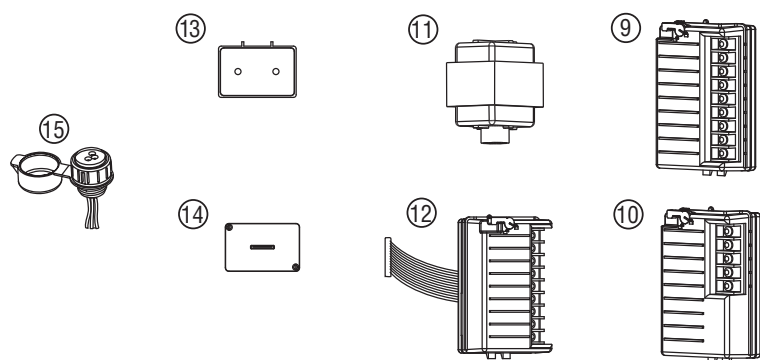
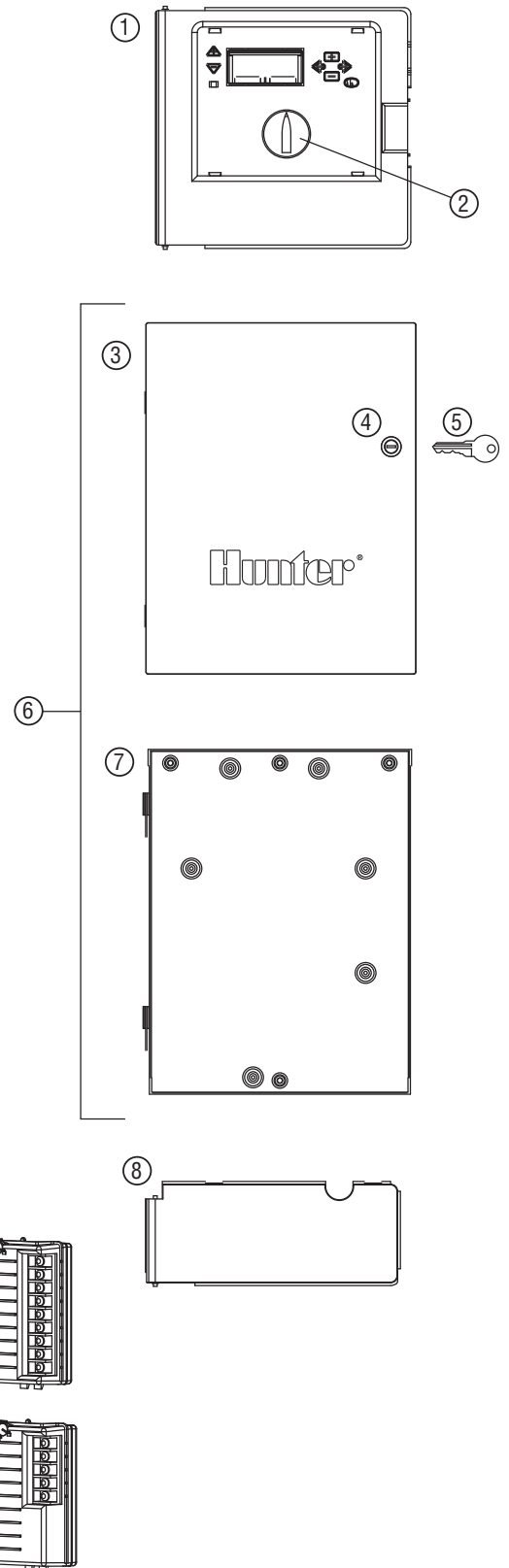
## (ICC-800PL & ICC-801PL) – Plastic Cabinet

Item	Description	Catalog No.	Price	
①	Front Panel	429600	\$150.00	
②	Rear Cabinet	(U.S.)	373200	\$45.00
		(International)	373205	\$45.00
③	Plastic Cabinet Assembly <i>(Includes items 3, 10, 11, 12 &amp; 13)</i>	631500	\$85.00	
④	8-Station Module	ICM800	\$140.00	
⑤	4-Station Module	ICM400	\$75.00	
⑥	Power Module	429800	\$135.00	
⑦	Transformer 110/220 24V 40VA <i>(Dual Voltage)</i>	154628	\$40.00	
⑧	Plastic Front Door without Lock	429700	\$25.00	
⑨	Front Door Hinge Pin	374000	\$3.00	
⑩	Lock and Key Set	387300	\$12.00	
⑪	Key Set (2)	122516	\$5.00	
⑫	Junction Box	374100	\$8.00	
⑬	Junction Box Door	374200	\$5.00	
⑭	SmartPort® Wiring Harness	6' Wire	SRR-WH	\$15.00
		25' Wire - Shielded	SRR-SCWH	\$20.00
	Station ID Label	English	LIT-245	\$1.00
	Owner's Manual	English	LIT-237	\$5.00
	Hanging Card Kit	English	LIT-334	\$2.50
	International Documentation <i>(Includes Owner's Manual, Door Instructions and Faceplate Label)</i>	Spanish	INT-321	\$9.00
		French	INT-322	\$9.00
		Italian	INT-323	\$9.00
		German	INT-370	\$9.00



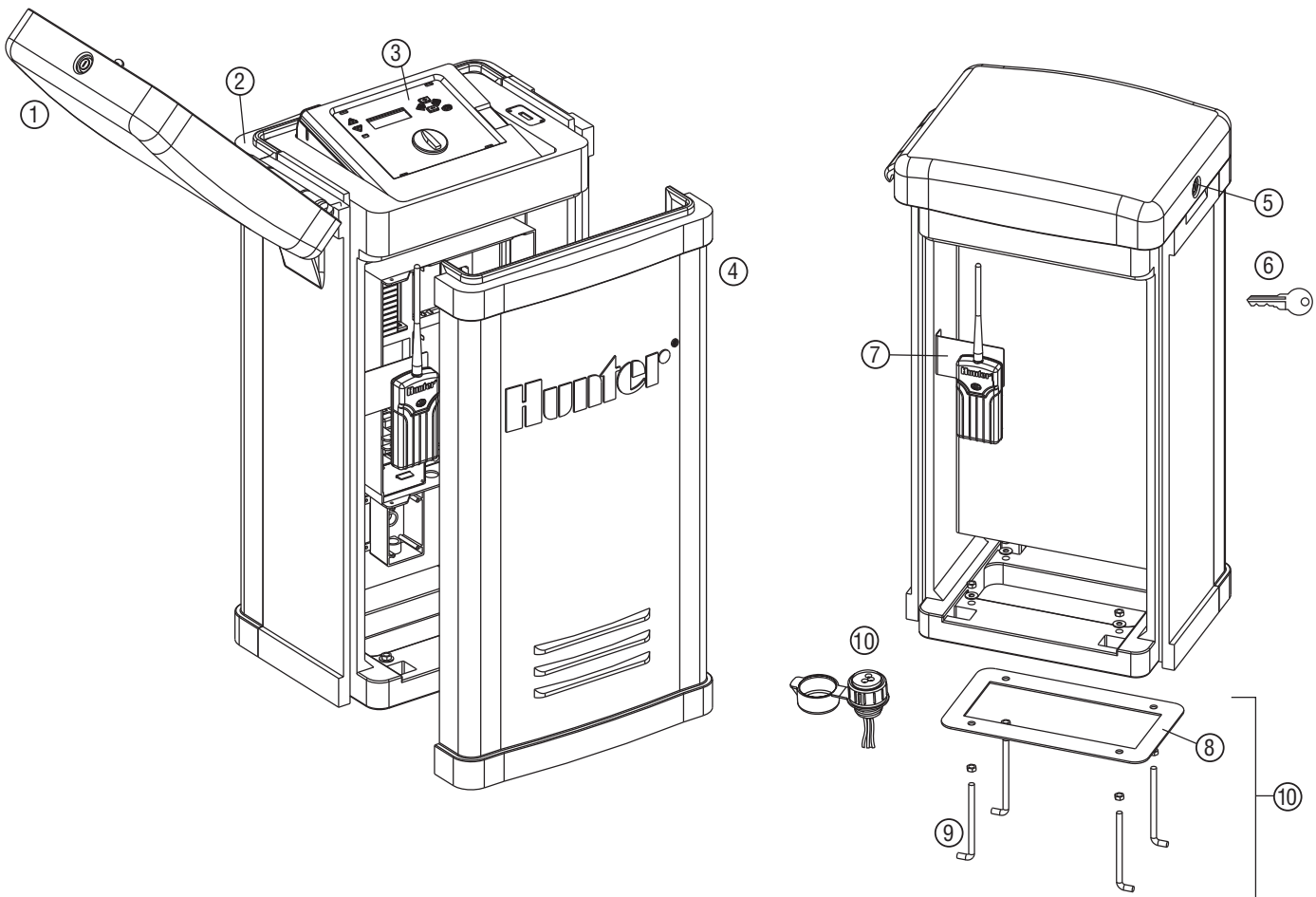
# ICC: Institutional/Commercial Controller (ICC-800M & ICC-800SS) – Metal Cabinet

Item	Description	Catalog No.	Price
①	Front Panel	429600	\$160.00
②	Dial	375700	\$5.00
③	Metal Front Door w/o Lock	Powder Coated	384400 \$100.00
		Stainless Steel	384405 \$225.00
④	Lock & Key Set	387300	\$12.00
⑤	Key Set (2)	122516	\$5.00
⑥	Metal Cabinet w/ Door & Lock <i>(Includes 3, 4 &amp; 7)</i>	Powder Coated	561700 \$320.00
		Stainless Steel	561800 \$650.00
⑦	Metal Cabinet w/o Door	Powder Coated	384300 \$275.00
		Stainless Steel	384305 \$450.00
⑧	Bottom Door	384200	\$20.00
⑨	8-Station Module	ICM800	\$140.00
⑩	4-Station Module	ICM400	\$75.00
⑪	Transformer 110/220 24V 40VA <i>(Dual Voltage)</i>	154628	\$40.00
⑫	Power Module	429800	\$135.00
⑬	Junction Box	374100	\$8.00
⑭	Junction Box Door	374200	\$5.00
⑮	SmartPort® Wiring Harness	6' Wire	SRR-WH \$15.00
		25' Wire - Shielded	SRR-SCWH \$20.00
	Inside Door Label	English LIT-290	\$1.00
	Station ID Label	English LIT-245	\$1.00
	Owner's Manual	English LIT-237	\$5.00
	Hanging Door Card	English LIT-334	\$2.50
	International Documentation <i>(Includes Owner's Manual, Door Instructions, and Faceplate Label)</i>	Spanish INT-321	\$9.00
		French INT-322	\$9.00
		Italian INT-323	\$9.00
		German INT-370	\$9.00



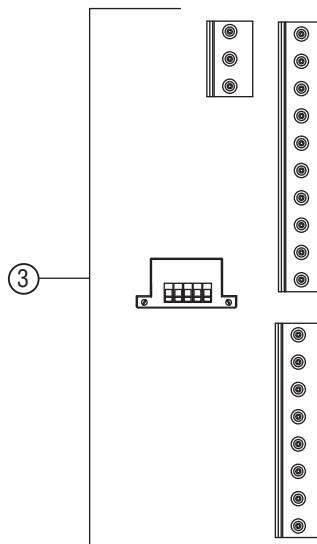
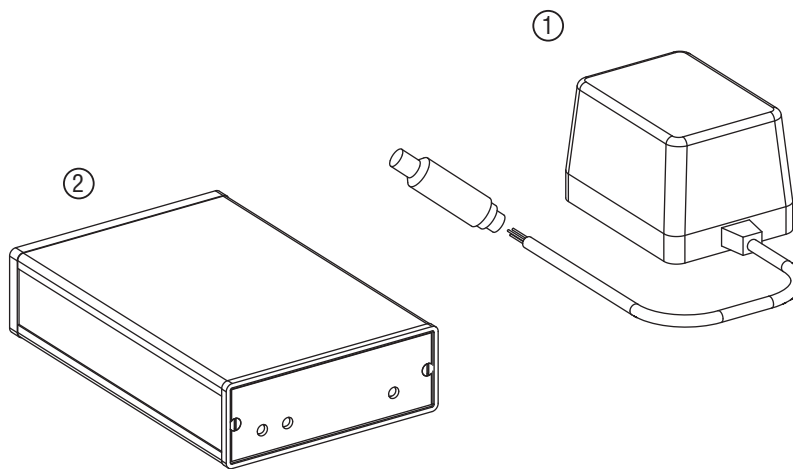
# ICC Plastic Pedestal

Item	Description	Catalog No.	Price	
①	Lid	553300	\$100.00	
②	Hinge Pin	558400	\$21.00	
③	ICC Front Panel	429600	\$160.00	
④	Access Door	553200	\$150.00	
⑤	Lock & Key Set	558000	\$16.00	
⑥	Key Set (2)	122516	\$5.00	
⑦	SmartPort® Bracket	576000	\$25.00	
⑧	Mounting Template	558600	\$22.00	
⑨	Mounting Hardware	420200	\$50.00	
⑩	SmartPort Wiring Harness	6' Wire	SRR-WH	\$15.00
		25' Wire - Shielded	SRR-SCWH	\$20.00
	Ribbon Cable Extension ( <i>Not shown</i> )	574600	\$25.00	
	Mounting Kit ( <i>Includes 8 &amp; 9</i> )	581700	\$65.00	



# IMMS-CCC: Irrigation Management and Monitoring

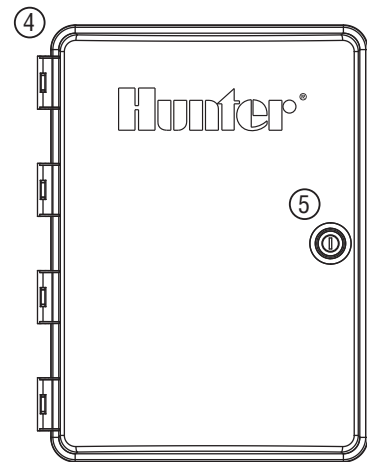
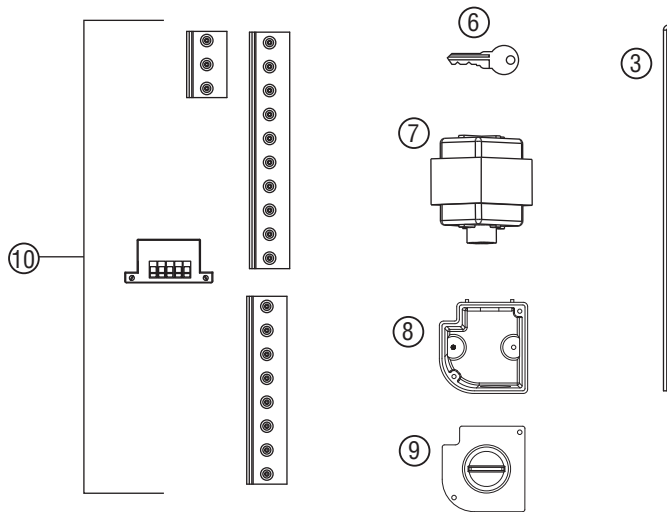
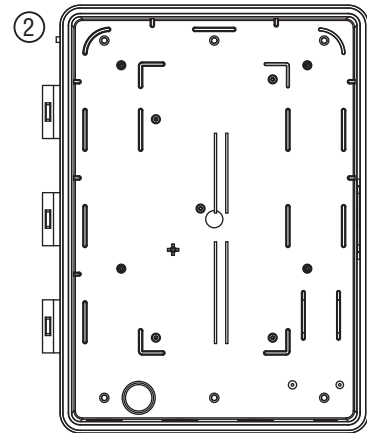
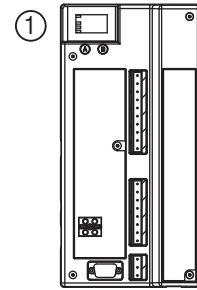
Item	Description	Catalog No.	Price
①	Transformer Assembly	120/24VAC (U.S.)	622100 \$40.00
		230/24VAC (International)	622105 \$40.00
		230/24VAC (AU/NZ)	622115 \$40.00
②	Central Computer Communications Unit <i>(Includes 1 &amp; 3)</i>	U.S.	IMMS-CCC \$575.00
		International	IMMS-CCC-E \$575.00
		AU/NZ	IMMS-CCC-A \$575.00
③	Terminal Plugs <i>(1 CCC GCBL &amp; 1 Set of Interface plugs)</i>	629800	\$35.00





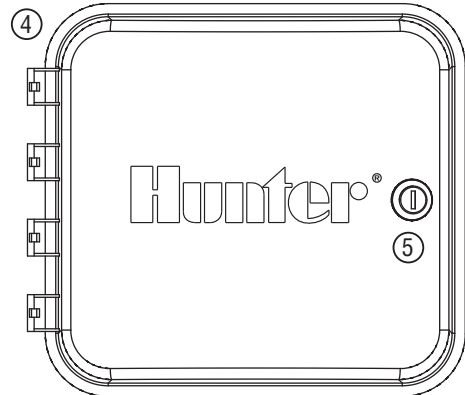
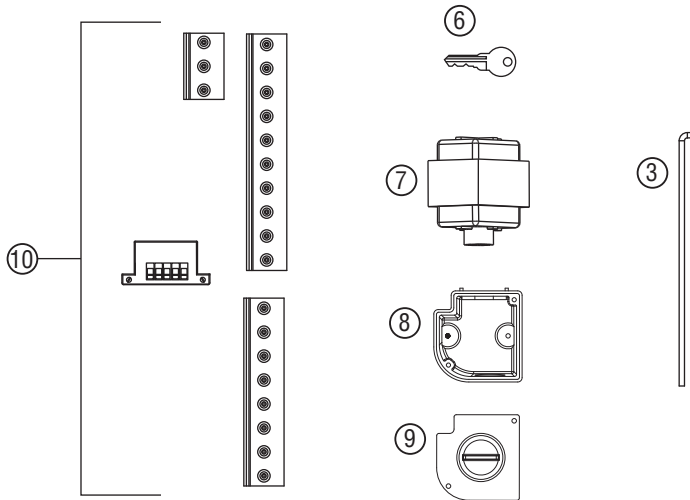
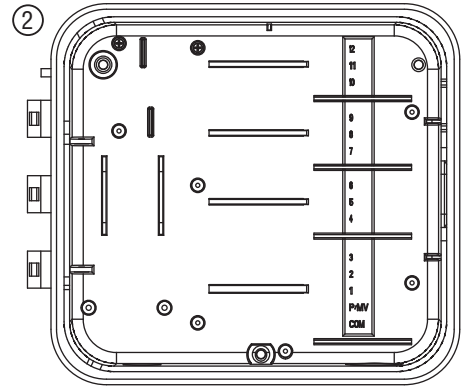
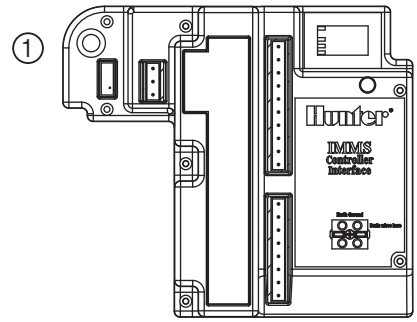
# IMMS-SI: Irrigation Management and Monitoring System™

Item	Description	Catalog No.	Price
①	Electronic Assembly	IMMS-SI-HW (U.S.)	629500 \$900.00
		IMMS-SI-MOD (U.S.)	629600 \$960.00
		IMMS-SI-HW-E (International)	510905 \$900.00
		IMMS-SI-MOD-E (International)	510915 \$960.00
②	Cabinet	U.S.	513000 \$50.00
		International	513010 \$65.00
③	Front Door Hinge Pin	513005	\$3.00
④	Plastic Front Door	U.S.	513100 \$20.00
		International	513105 \$25.00
⑤	Lock Assembly and Key	387300	\$12.00
⑥	Key Set (2)	122516	\$5.00
⑦	Transformer	120/24VAC (U.S.)	468000 \$30.00
		230/24VAC (European)	545600 \$30.00
⑧	Junction Box	464000	\$8.00
⑨	Junction Box Door	464100	\$5.00
⑩	Terminal Plugs (All)	629800	\$35.00



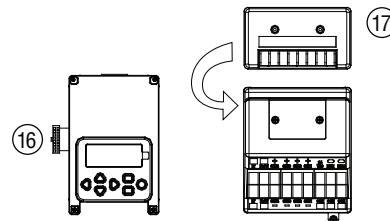
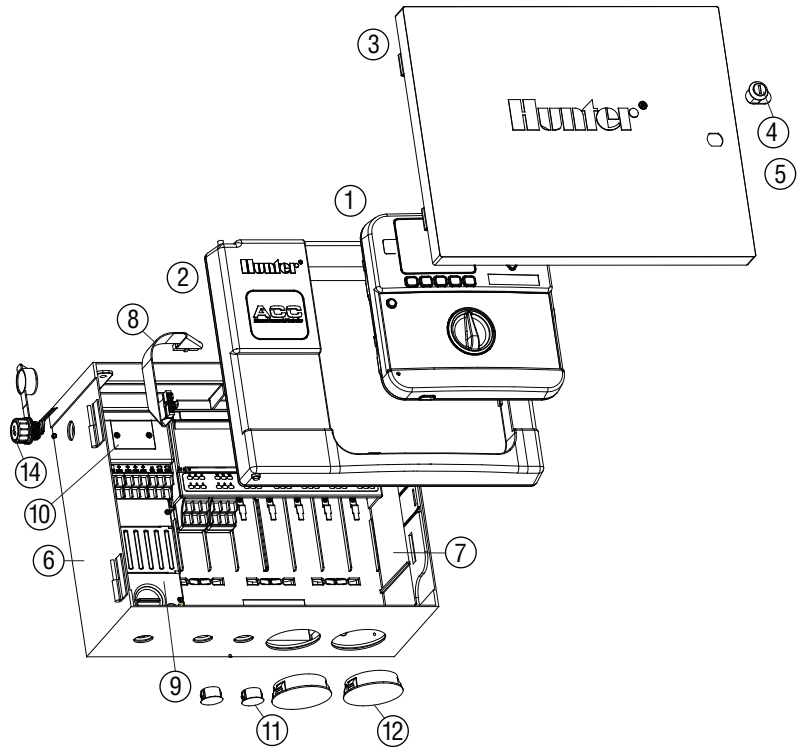
# IMMS-CI: Irrigation Management and Monitoring System™

Item	Description	Catalog No.	Price	
①	Electronic Assembly	IMMS-CI-HW (U.S.)	629700	\$375.00
		IMMS-CI-HW (International)	629700	\$375.00
②	Cabinet	U.S.	511200	\$65.00
		International	511205	\$65.00
③	Front Door Hinge Pin	464400	\$2.00	
④	Plastic Front Door (Without Lock)	U.S.	463100	\$16.00
		International	463105	\$16.00
⑤	Lock Assembly and Key	387300	\$12.00	
⑥	Key Set (2)	122516	\$5.00	
⑦	Transformer	120/24VAC (U.S.)	468000	\$30.00
		230/24VAC (European)	468005	\$30.00
⑧	Junction Box	464000	\$8.00	
⑨	Junction Box Door	464100	\$5.00	
⑩	Terminal Plugs (All)	629800	\$35.00	



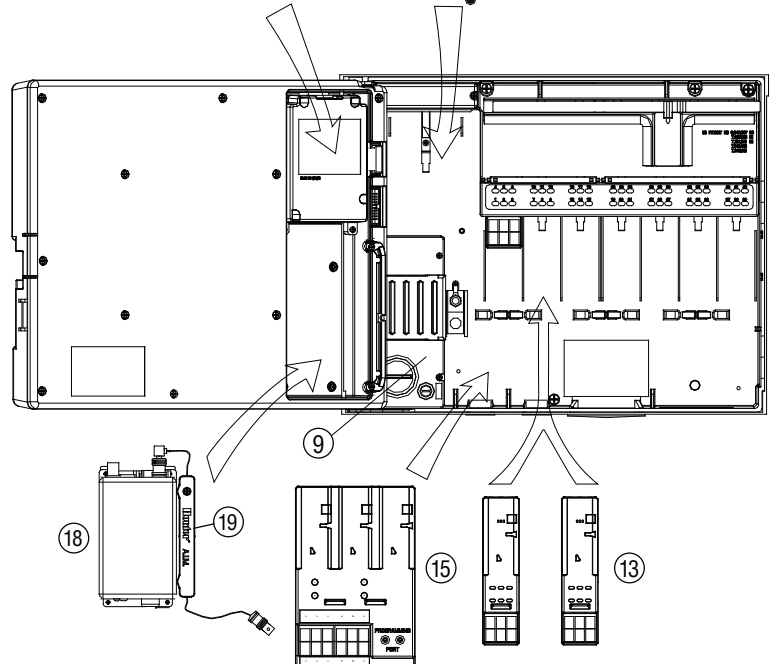
# ACC Wall Mount Controllers (ACC1200, ACC99D)

Item	Description	Catalog No.	Price
①	Front Faceplate Face Pack	571500	\$375.00
②	Front Face Pack Door Frame	589000	\$160.00
③	Metal Front Door w/o Lock	585500	\$120.00
④	Lock & Key Set <i>(Not Shown)</i>	387300	\$12.00
⑤	Key Set (2) <i>(Not shown)</i>	122516	\$5.00
⑥	Metal Cabinet w/o Door	585000	\$230.00
⑦	Inner Controller only <i>(With 585100), no modules or transformer</i>	586005	\$175.00
⑧	Door Ribbon Cable <i>(Wall mount only)</i>	585100	\$50.00
⑨	Transformer Assembly	587000	\$102.00
⑩	Master Module	572000	\$189.00
⑪	Small Hole Plug	654400	\$19.00
⑫	Large Hole Plug	654500	\$25.00
⑬	Station Module(s) ACM-Module <i>(Standard)</i>	ACM600	\$385.00
	AGM-Module <i>(Extreme service)</i>	AGM600	\$425.00
⑭	SmartPort® Assembly including Nut	112200	\$53.00
⑮	Decoder Output Module	ADM99	\$1080.00



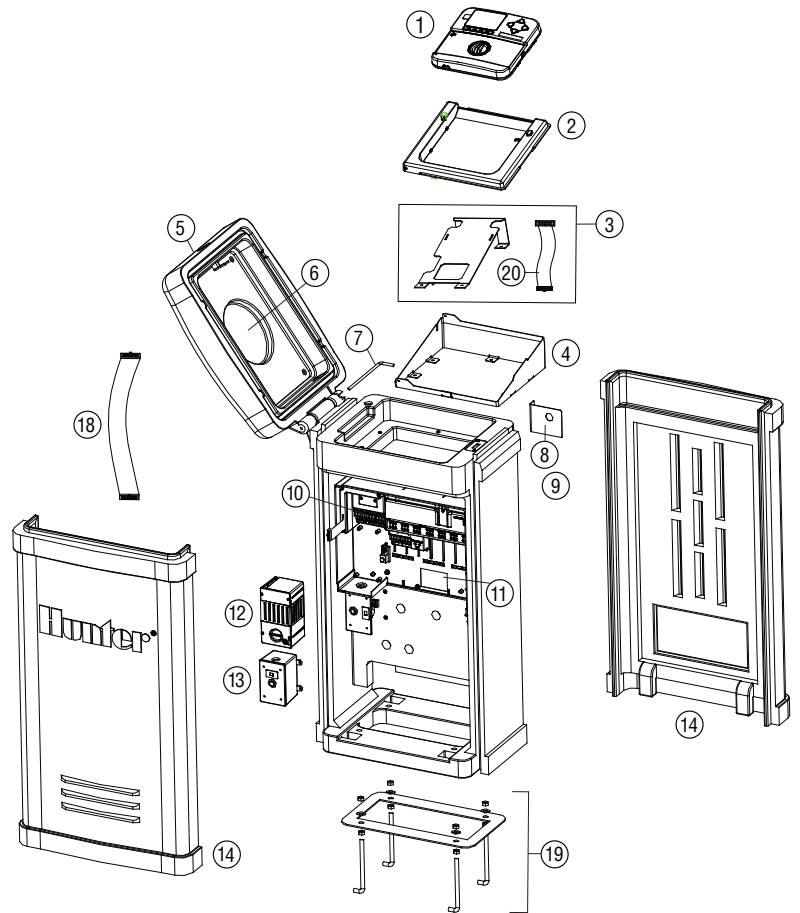
## Communications Modules and Parts

Item	Description	Catalog No.	Price
⑯	Com module for dial-up (POTS)	ACC-COM- POTS	\$950.00
⑯	Com module for GSM cell (USA)	ACC-COM- GSM	\$2200.00
⑯	Com module for GSM, International	ACC-COM- GSM-E	\$2250.00
⑯	Com module for radio and hardware only	ACC-COM- HWR	\$575.00
⑰	Hardware Interface Module	ACC-HWIM	\$220.00
⑱	UHF radio <i>(No antenna)</i>	RAD3	\$1250.00
⑲	Antenna Isolation Module	AIM-BNC	\$26.00



# ACC Pedestal Controllers (ACC1200PP, AGC1200PP, AGC99DPP)

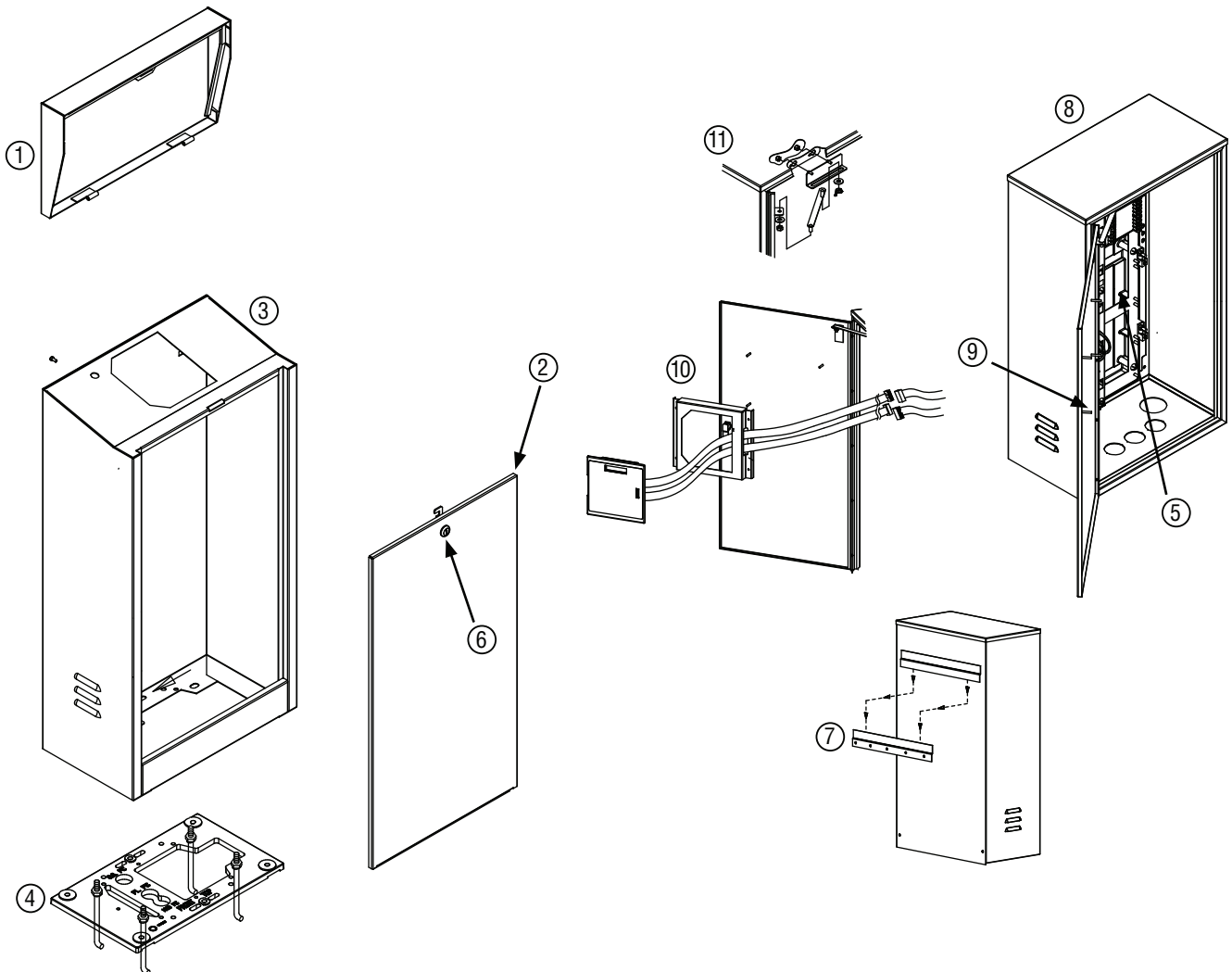
Item	Description	Catalog No.	Price
①	Front Faceplate Face Pack (ACC)	571500	\$375.00
	Front Face Pack (AGC)	571505	\$375.00
②	Front Face Pack Door only	620000	\$160.00
③	Plastic Ped Com and Radio Bracket, includ- ing Ribbon Cable	APPBRKT	\$129.00
④	Frame Adapter	145500	\$128.00
⑤	Lid including Lock	553305	\$135.00
⑥	Lid Antenna for Ped, UHF	IMMSANT2	\$439.00
⑦	Lid Hinge Pin	558400	\$21.00
⑧	SmartPort® Bracket	576000	\$25.00
⑨	SmartPort® Wiring Harness	112210	\$15.00
⑩	Master Module	572000	\$189.00
⑪	Decoder Output Module	ADM99	\$1080.00
	Station Module(s) ACM-Module (Standard)	ACM600	\$385.00
	AGM-Module (Extreme Service)	AGM600	\$425.00
⑫	Transformer Assembly	587000	\$102.00
⑬	J Box	145410	\$136.00
⑭	Pedestal Door with Screen	553205	\$204.00
⑮	Lock & Key Set (Not shown)	558000	\$16.00
⑯	Key Set (2) (Not shown)	122516	\$5.00
⑰	ACC Ped Inner Panel Cabinet with Transformer	621230	\$800.00
⑱	Ribbon, Inner Controller to Facepack Door	585105	\$48.00
⑲	Mounting Template Kit, includes Template #558600, and Hardware #420200	581700	\$65.00
⑳	Ribbon, Extension for Com Modules in Pedestals	619900	\$29.00
㉑	Mounting Template only	558600	\$22.00
㉒	Mounting Hardware only	420200	\$50.00





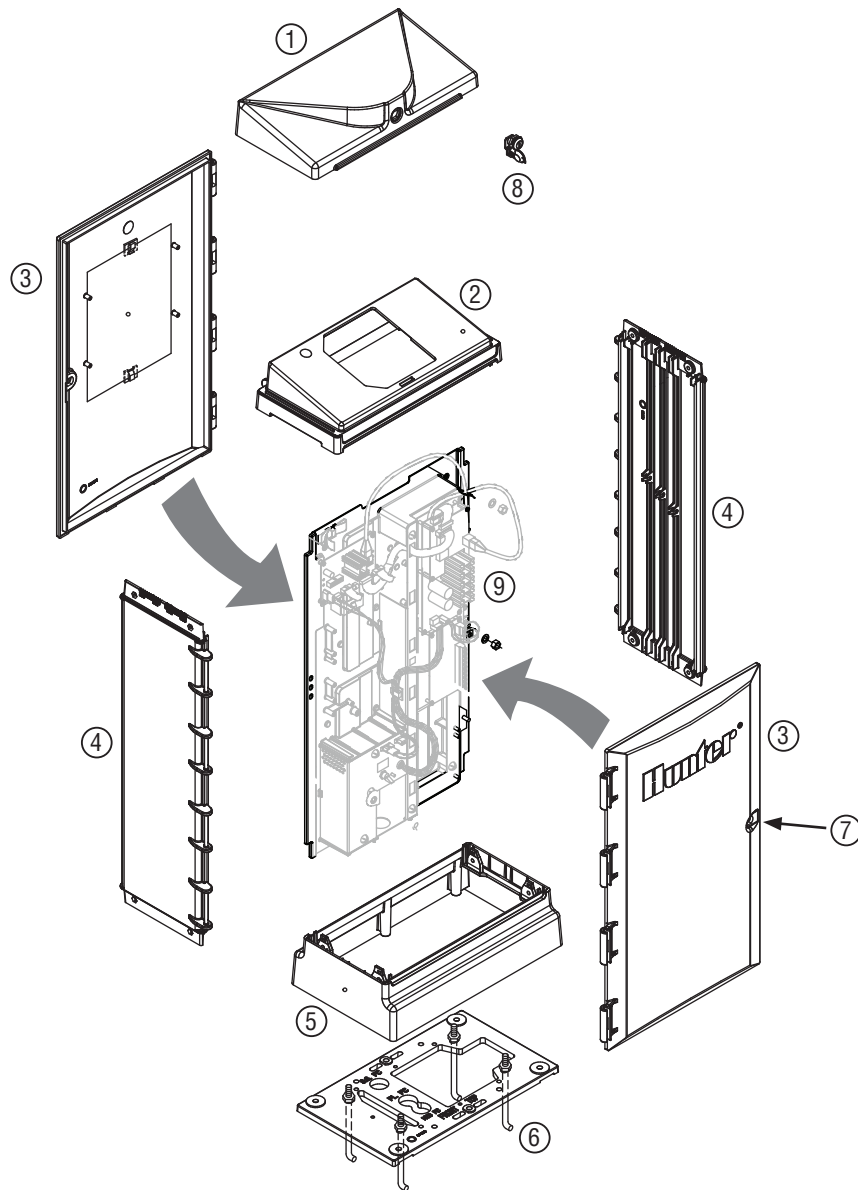
# Steel Controller Enclosure Parts (IDSSP, IDSSW)

Item	Description	Catalog No.	Price
①	Lid Kit	FCSLIDKT	\$390.00
②	Replacement Pedestal Door, including lock assembly	FCSDOORKT	\$380.00
③	Complete replacement Standalone Pedestal with back plane, lid, & door <i>(No Components)</i>	FCSPEDKT	\$2,080.00
④	Mounting template and hardware for S pedestal	TEMPLT2	\$105.00
⑤	Plastic backplane for mounting electronic components <i>(Also rear panel of plastic wall mount)</i>	BACKPLANEKT	\$305.00
⑥	Steel Pedestal Door Lock Kit w/ keys	FCSDLKT	\$115.00
⑦	Wall Controller Mount Kit	WCSMNTKT	\$110.00
⑧	Complete replacement wall cabinet with back plane & door, no components	WCSCABKT	\$1,700.00
⑨	Wall Mount Door Lock Kit w/ keys	WCSDLKT	\$96.00
⑩	Inner Door Bracket for Facepack	WFPBKT	\$120.00
⑪	Door stop for wall mount door	WCSDSKT	\$165.00



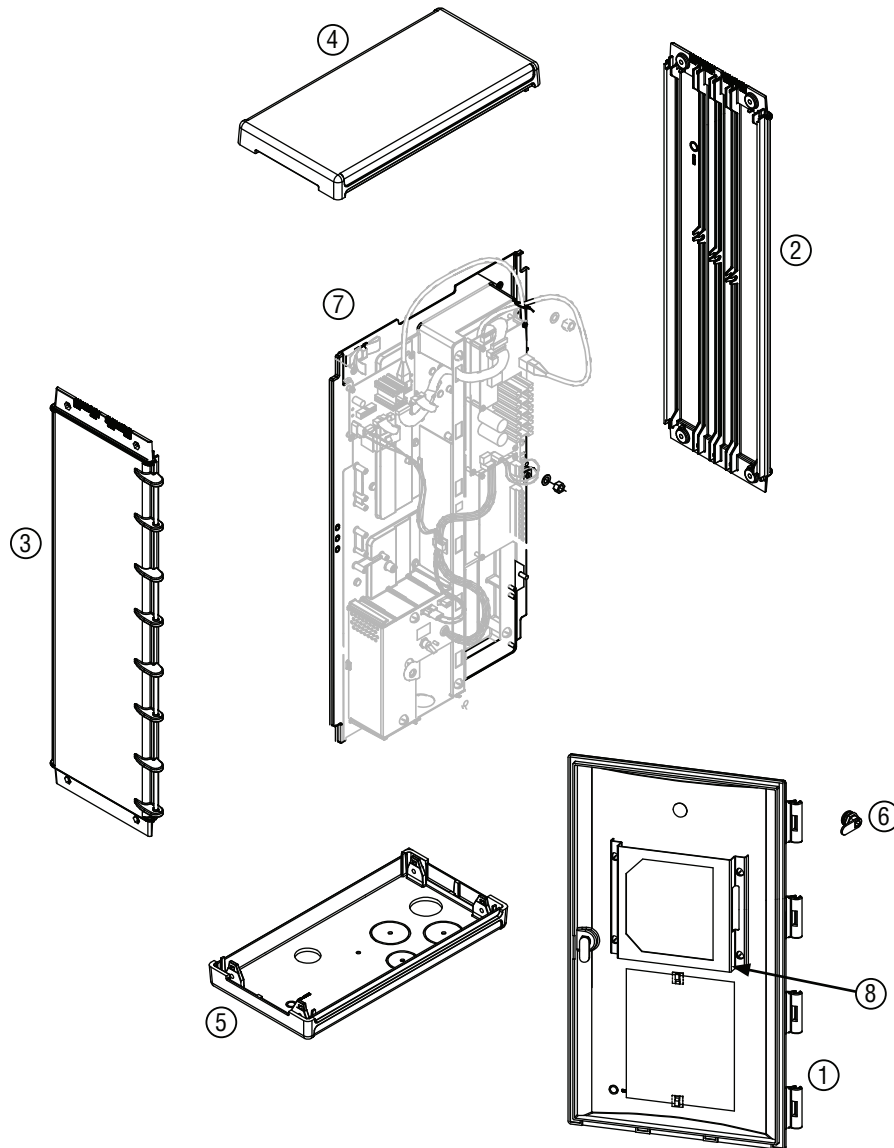
# Plastic Pedestal Kits IDS-PP

Item	Description	Catalog No.	Price
①	Lid Kit	FCPLKT	\$245.00
②	Cap Kit	FCPCKT	\$185.00
③	Door Kit (1 per kit)	FCPDKT	\$255.00
④	Side Kit	FCPSKT	\$320.00
⑤	Base Kit	FCPBKT	\$240.00
⑥	Template Kit	TEMPLT2	\$105.00
⑦	Lock Assembly, Door	FCPDLKT	\$135.00
⑧	Lock Assembly, Lid	FCPLLKT	\$135.00
⑨	Plastic backplane for mounting electronic components (Also rear panel of wall mount, includes gasket tape – NO components)	BACKPLANEKT	\$305.00
All	Complete Plastic Pedestal (No components)	PEDP1	\$1,190.00



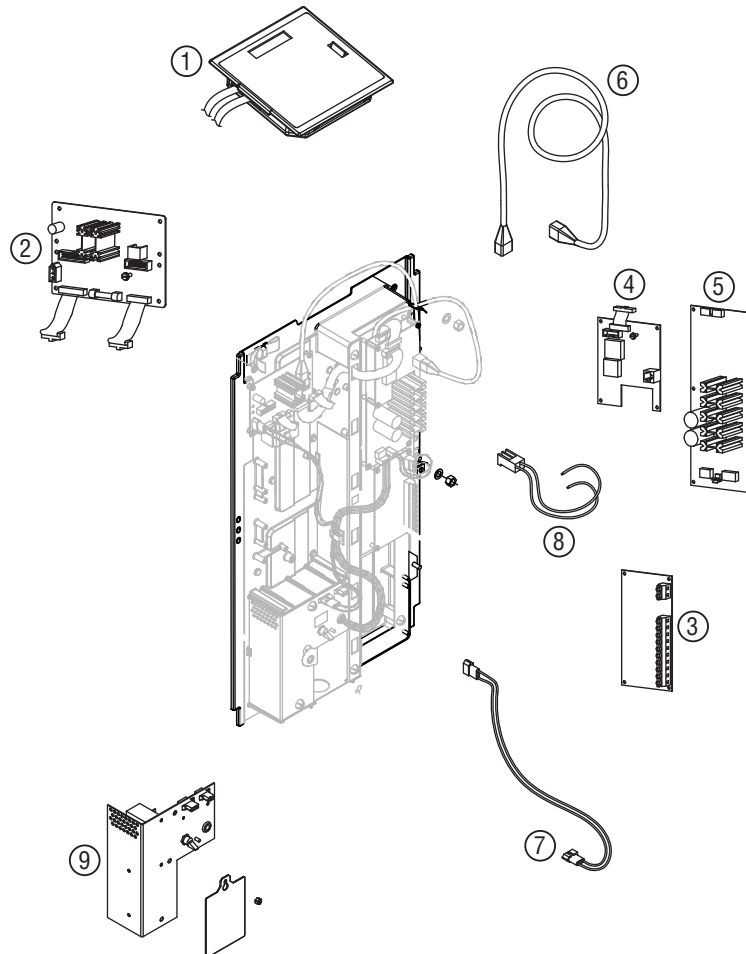
# Plastic Wall Enclosure Kits IDS-PW

Item	Description	Catalog No.	Price
①	Wall Mount Door Kit	WCPDKT	\$230.00
②	Wall Mount Right Side Kit ( <i>No hinges</i> )	WCPSKT	\$240.00
③	Wall Mount Left Side Kit ( <i>With hinges</i> )	FCPSKT	\$320.00
④	Top Kit	WCPTT	\$170.00
⑤	Wall Mount Bottom Kit	WCPBKT	\$225.00
⑥	Lock Assembly, Door	FCPDLKT	\$135.00
⑦	Plastic backplane for mounting electronic components ( <i>Also rear panel of wall mount - includes gasket tape, NO components</i> )	BACKPLANEKT	\$305.00
⑧	Inner Door Bracket for facepack	WFPBKT	\$120.00
All	Complete Wall Mount Enclosure ( <i>No components</i> )	WALP1	\$935.00



# IDS Decoder Controller Components

Item	Description	Catalog No.	Price
①	IDS Facepack Kit	IDSKTFP	\$900.00
②	Decoder Power Supply Board Kit	VKTPSB2	\$375.00
③	Decoder Lightning/Output Board	VLPTKT	\$585.00
④	Decoder CPU Board	VCPUKT	\$675.00
⑤	Decoder Transmitter Board	VTRNSKT	\$1,080.00
⑥	RJ45 Cable	516238	\$24.00
not shown	IDS Instruction Card/Zone Label ( <i>Inside door</i> )	562242	\$10.00
⑦	Power Supply Board Wire Harness	516140	\$33.00
not shown	IDS Controller Manual	LIT-376	\$25.00
⑧	Transmitter Cable	516143	\$12.00
<b>Decoder Utility Software</b>			
not shown	Replacement cable for DECMAN	516177	\$30.00
<b>Transformer Options</b>			
⑨	Decoder Transformer Kit 110 VAC ( <i>Plastic and S Series</i> )	FCPVKTFR2	\$395.00

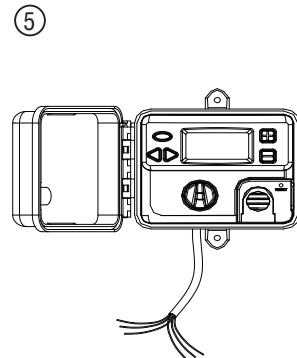
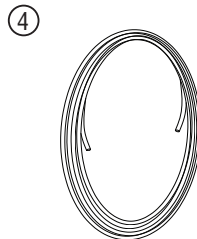
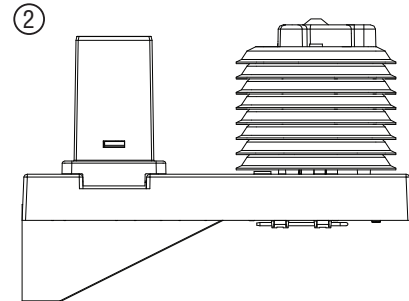
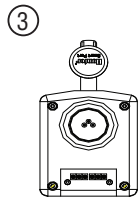
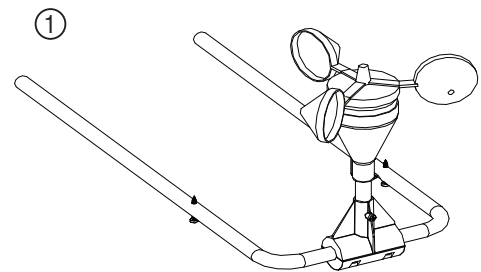




# ET Systems

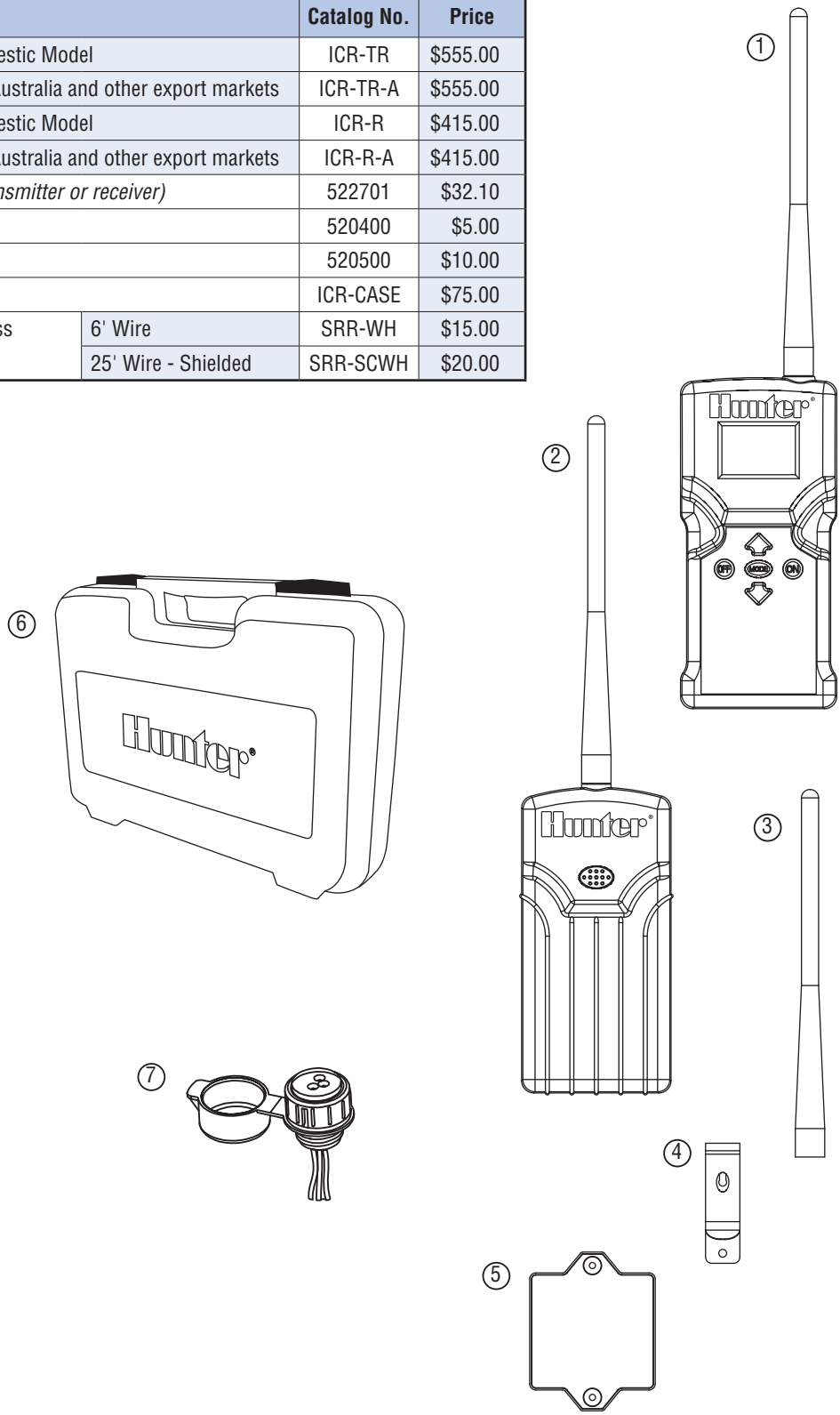
Item	Description	Catalog No.	Price
①	ET Anemometer	ETWIND	\$450.00
②	ET Sensor Platform	ETSENSOR	\$300.00
③	SmartPort® Adaptor for ACC	ETADAPTOR	\$50.00
④	100' / 30m Direct Burial Wire	206100	\$50.00
⑤	ET Control Module	ETMODULE	\$150.00
	Spare Lithium Battery ( <i>Not shown</i> )	622032	\$5.00
	Mounting Bracket Hardware ( <i>Not shown</i> )	ETHARDWARE	\$60.00
	Owner's Manual ( <i>Not shown</i> )	LIT-399	Web*

\*Available on Hunter website



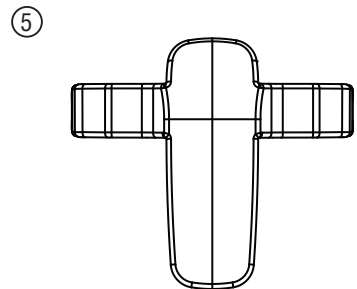
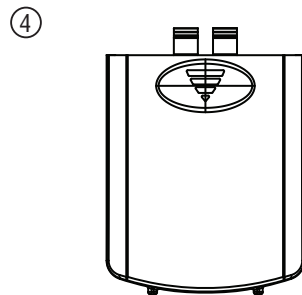
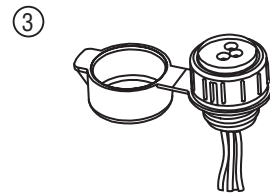
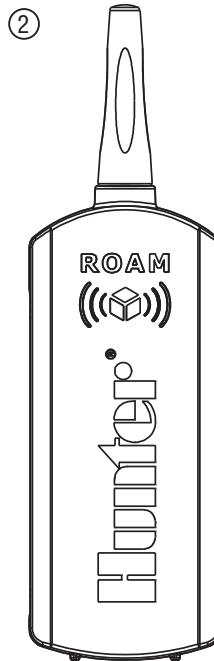
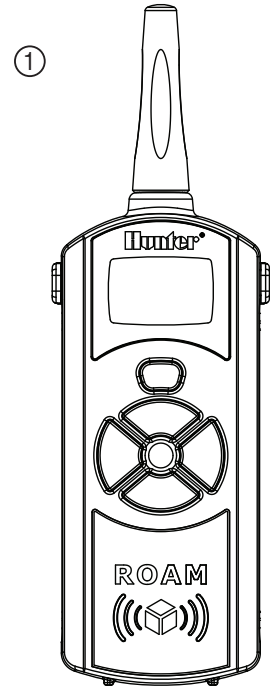
# ICR: Remote Control Unit

Item	Description	Catalog No.	Price	
①	ICR Transmitter	Domestic Model	ICR-TR	\$555.00
		For Australia and other export markets	ICR-TR-A	\$555.00
②	ICR Receiver	Domestic Model	ICR-R	\$415.00
		For Australia and other export markets	ICR-R-A	\$415.00
③	Antenna <i>(For use with transmitter or receiver)</i>	522701	\$32.10	
④	Belt Clip	520400	\$5.00	
⑤	Battery Door Assembly	520500	\$10.00	
⑥	Plastic Carrying Case	ICR-CASE	\$75.00	
⑦	SmartPort® Wiring Harness	6' Wire	SRR-WH	\$15.00
		25' Wire - Shielded	SRR-SCWH	\$20.00



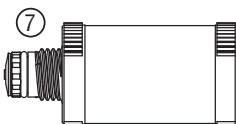
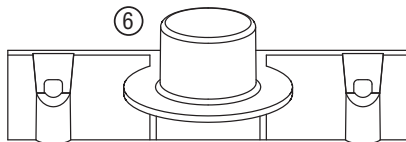
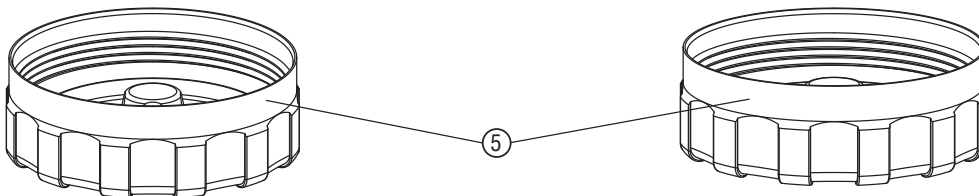
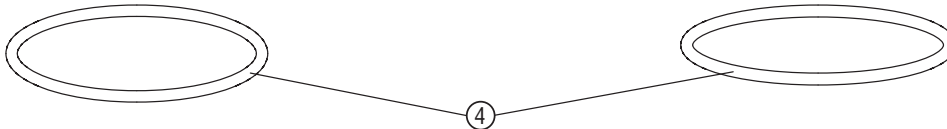
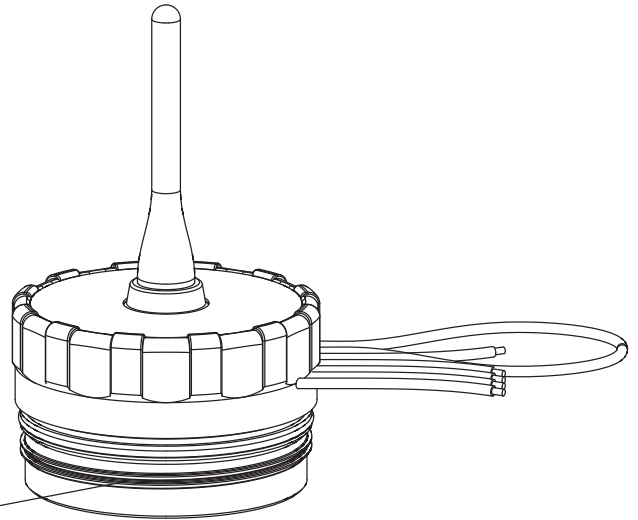
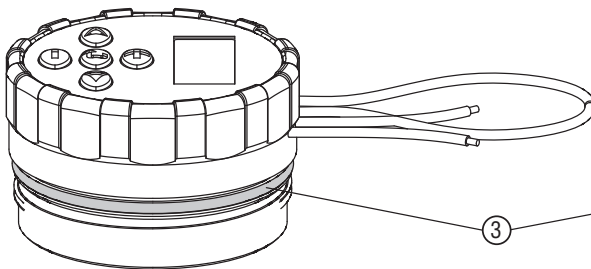
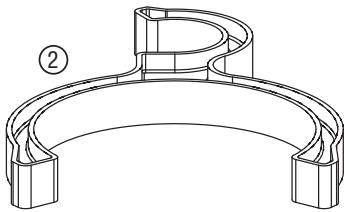
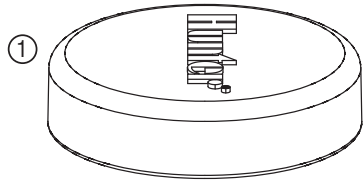
# ROAM: Remote Control Unit

Item	Description	Catalog No.	Price
①	ROAM Transmitter	ROAM TR	\$145.00
②	ROAM Receiver	ROAM R	\$125.00
③	SmartPort® Wiring Harness	6' Wire	SRR-WH \$15.00
		25' Wire	SRR-SCWH \$20.00
④	Battery Door Cover	161200	\$5.00
⑤	Belt Clip	161400	\$10.00
	Owners Manual ( <i>Not shown</i> )	English	LIT-477 \$2.00



# SVC & WVC Controllers

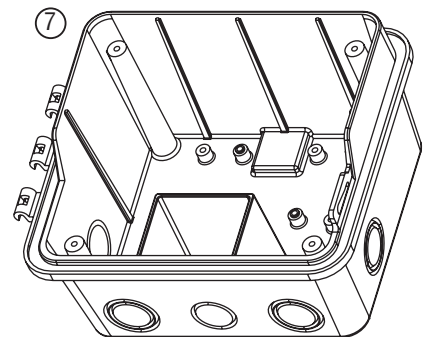
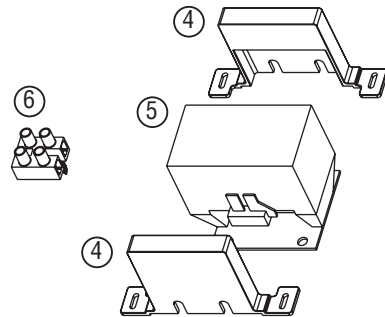
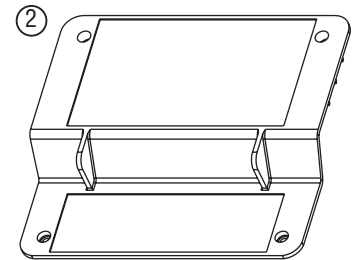
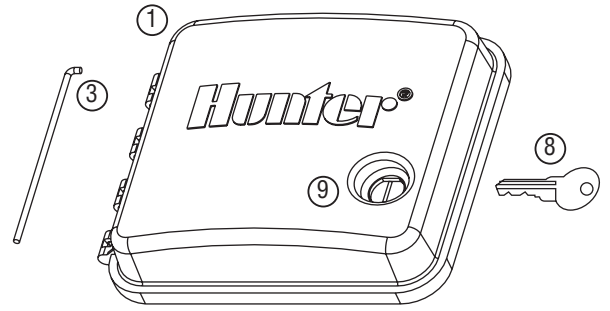
Item	Description	Catalog No.	Price
①	Rubber Cover	489800	\$5.00
②	Mounting Clip	489500	\$7.50
③	O-Ring (Main Body)	491200	\$2.00
④	O-Ring (Cap)	491300	\$2.00
⑤	Cap Assembly	644500	\$10.00
⑥	Universal Mounting Adapter	488800	\$5.00
⑦	DC Latching Solenoid	458200	\$43.00





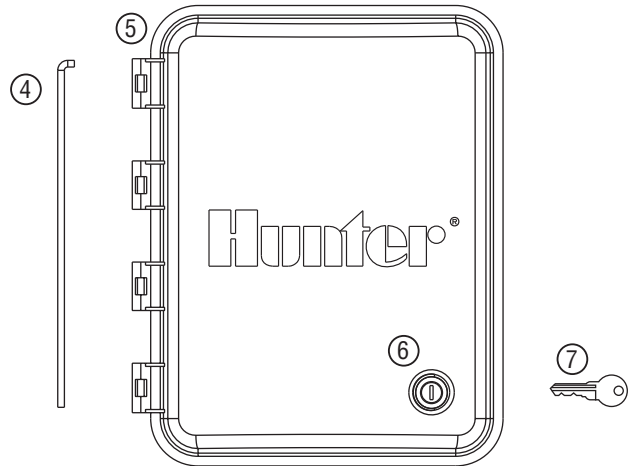
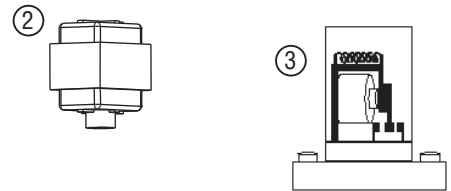
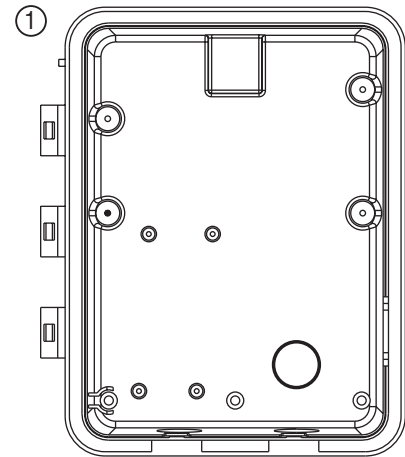
## PSR-22, PSR-52, PSR-53: Pump Start Relays

Item	Description	Catalog No.	Price	
①	Door without Lock	468800	\$15.00	
②	Cover Plate w/ Sticker	PSR-22	525900	\$7.00
		PSR-52	526000	\$7.00
		PSR-53	526100	\$7.00
③	Door Hinge Pin	469000	\$2.00	
④	Contact Support Brackets ( <i>PSR-22 Only</i> )	501500	\$2.50	
⑤	Contactors	PSR-22	469201	\$53.50
		PSR-52	469105	\$80.00
		PSR-53	469110	\$97.00
⑥	Grounding Block	501600	\$2.00	
⑦	Cabinet	468700	\$15.00	
⑧	Key Set (2)	122516	\$5.00	
⑨	Lock & Key Set	387300	\$12.00	



# PSR-B: Pump Start Relay Booster

Item	Description	Catalog No.	Price
①	Cabinet	527100	\$27.00
②	Transformer (Dual Voltage 110/220 24V 40VA)	154628	\$40.00
③	Heavy Duty DPDT Relay	REL2	\$35.00
④	Door Hinge Pin	429200	\$2.00
⑤	Front Door	428000	\$16.00
⑥	Lock and Key Set	387300	\$12.00
⑦	Key Set (2)	122516	\$5.00



## **STATEMENT OF WARRANTY**

Hunter Industries Incorporated (“Hunter”) warrants the following products to be free of defects in materials or workmanship under normal use for a period of two (2) years from the original date of manufacture: PGP-ADJ®, PGJ, PS, PS Ultra, SRS, Pro-Spray®, Spray Nozzles, PCN, PCB, AFB, HPV, PGV family, Pro-ASV, SRV, SRC, XC family, Pro-C family, SRR, ROAM, SVC, WVP, WVS, MP Rotator, PLD, PACZ, PCZ, AVB, PSR, HCV, SJ, HFT family, SBE family, RZWS, ET System, and Solar Sync. Hunter warrants the following products to be free of defects in materials or workmanship under normal use for a period of three (3) years from the original date of manufacture: PGP Ultra family. Hunter warrants the following products to be free of defects in materials or workmanship under normal use for a period of one (1) year from the original date of manufacture: SRM family, Micro Sprays, and Stream Drippers. Hunter warrants the following products to be free of defects in materials or workmanship under normal use for a period of five (5) years from the original date of manufacture: Institutional Spray, G-Spray, MPR-40 family, I-20, I-25, I-35, I-40, I-60 and I-90 families, ICC, I-CORE, and ACC controller families, ICD Decoder Products, ICR Remotes, IMMS™ Central Control Products, “Clik” Sensors, HQ, ICV plastic and IBV brass valves, ICZ and PLD tubing. [If a defect in a Hunter product is discovered during the applicable warranty period, Hunter will repair or replace, at its option, the product or the defective part.] This warranty does not extend to repairs, adjustments, or replacement of a Hunter product or part that results from misuse, negligence, alteration, modification, tampering, or improper installation and/or maintenance of the product. This warranty extends only to the original installer of the Hunter product. If a defect arises in a Hunter product or part during the warranty period, you should contact your local Hunter Authorized Distributor.

HUNTER’S OBLIGATION TO REPAIR OR REPLACE ITS PRODUCTS AS SET FORTH ABOVE IS THE SOLE AND EXCLUSIVE WARRANTY SET FORTH BY HUNTER. THERE ARE NO OTHER WARRANTIES, EXPRESSED OR IMPLIED, INCLUDING WARRANTIES OF MERCHANTABILITY AND FITNESS FOR A PARTICULAR PURPOSE. HUNTER WILL NOT BE LIABLE TO ANY PARTY IN STRICT LIABILITY, TORT, CONTRACT, OR ANY OTHER MANNER FOR DAMAGES CAUSED OR CLAIMED TO BE CAUSED AS A RESULT OF ANY DESIGN OR DEFECT IN HUNTER’S PRODUCTS, OR FOR ANY SPECIAL, INCIDENTAL OR CONSEQUENTIAL DAMAGES OF ANY NATURE.

If you have any questions concerning the warranty or its application, please write to:  
Marketing Department, Hunter Industries Incorporated,  
1940 Diamond Street, San Marcos, CA 92078, U.S.A.

## **ASAE CERTIFICATION STATEMENT**

Hunter Industries Incorporated certifies that pressure, flow rate, and radius data for these products were determined and listed in accordance with ASAE Standard S398.1, Procedure for Sprinkler Testing and Performance Reporting, and are representative of performance of production sprinklers at the time of publication. Actual product performance may differ from the published specifications due to normal manufacturing variations and sample selection. All other specifications are solely the recommendation of Hunter Industries Incorporated.

## **U.S.A. HEADQUARTERS**

1940 Diamond Street  
San Marcos, California 92078  
Tel: (1) 760-744-5240  
Fax: (1) 760-744-7461  
Technical Service: (1) 800-733-2823

## **INTERNET**

www.hunterindustries.com  
e-mail: information@hunterindustries.com

## **WORLDWIDE SALES OFFICES:**

### **AUSTRALIA**

8 The Parade West  
Kent Town, South Australia 5067  
TEL: (61) 8-8363-3599  
FAX: (61) 8-8363-3687

### **EUROPE**

Avda. Diagonal 523, 5º - 2º  
Edificio Atalaya  
08029 Barcelona, Spain  
Tel: (34) 9-34-94-88-81  
Fax: (34) 9-34-19-76-76

### **MIDDLE EAST**

P.O. Box 211303  
Amman, 11121 Jordan  
Tel: (962) 6-515-2882  
Fax: (962) 6-515-2992

### **CHINA**

B1618, Huibin Office Bldg.  
No. 8, Beichen Dong Street  
Beijing 100101 China  
Tel/Fax: (86) 10-84975146  
Mobile: (86) 13901321516

## **MANUFACTURING:**

### **MEXICO**

Calle Nordika #8615  
Parque Industrial Nordika  
Tijuana, B.C. Mexico C.P. 22709  
Tel: (52) 664-903-1300  
Fax: (52) 664-903-8078