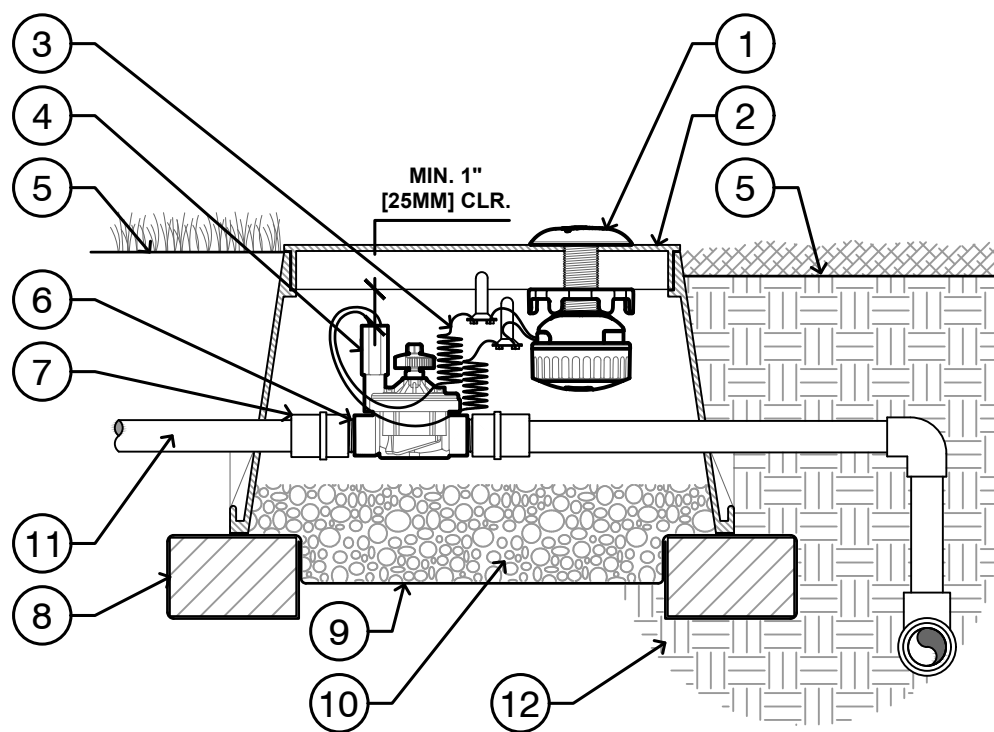
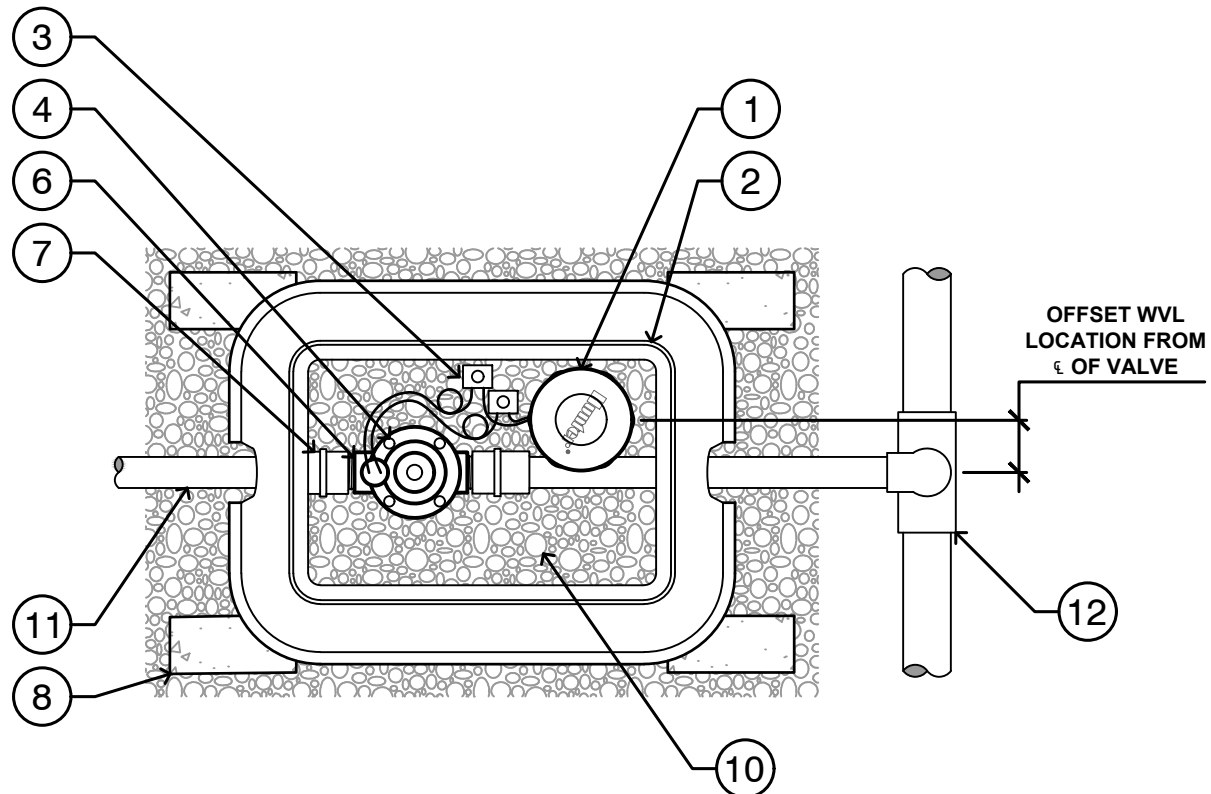


LEGEND

- | | |
|--|---|
| ① HUNTER WIRELESS VALVE LINK (WVL) PER PLAN | ⑥ SCH. 80 CLOSE NIPPLE EACH SIZE: MATCH SIZE TO VALVE |
| ② IRRIGATION VALVE BOX PER PLAN: HEAT STAMP LID WITH 'RCV' IN 2" LETTERS, DRILL 1.5" [38MM] HOLE | ⑦ PVC SLIP X FPT ADAPTOR EACH SIDE |
| ③ 18"-24" [50 CM] COILED WIRE TO DC LATCHING SOLENOID WITH WATERPROOF CONNECTORS | ⑧ BRICK SUPPORTS (4) |
| ④ HUNTER REMOTE CONTROL VALVE (ICV) WITH DC LATCHING SOLENOID | ⑨ FILTER FABRIC: WRAP TWICE AROUND BRICK SUPPORTS |
| ⑤ FINISHED GRADE | ⑩ GRAVEL BASE: DEPTH AS SPECIFIED |
| | ⑪ IRRIGATION LATERAL |
| | ⑫ MAINLINE AND FITTINGS |



NOTES

1. OFFSET HUNTER WIRELESS VALVE LINK (WVL) FROM CENTER OF VALVE BOX FOR ADDITIONAL CLEARANCE FROM REMOTE CONTROL VALVE.
2. REFER TO THE HUNTER INSTALLATION GUIDE FOR FURTHER INSTRUCTIONS.