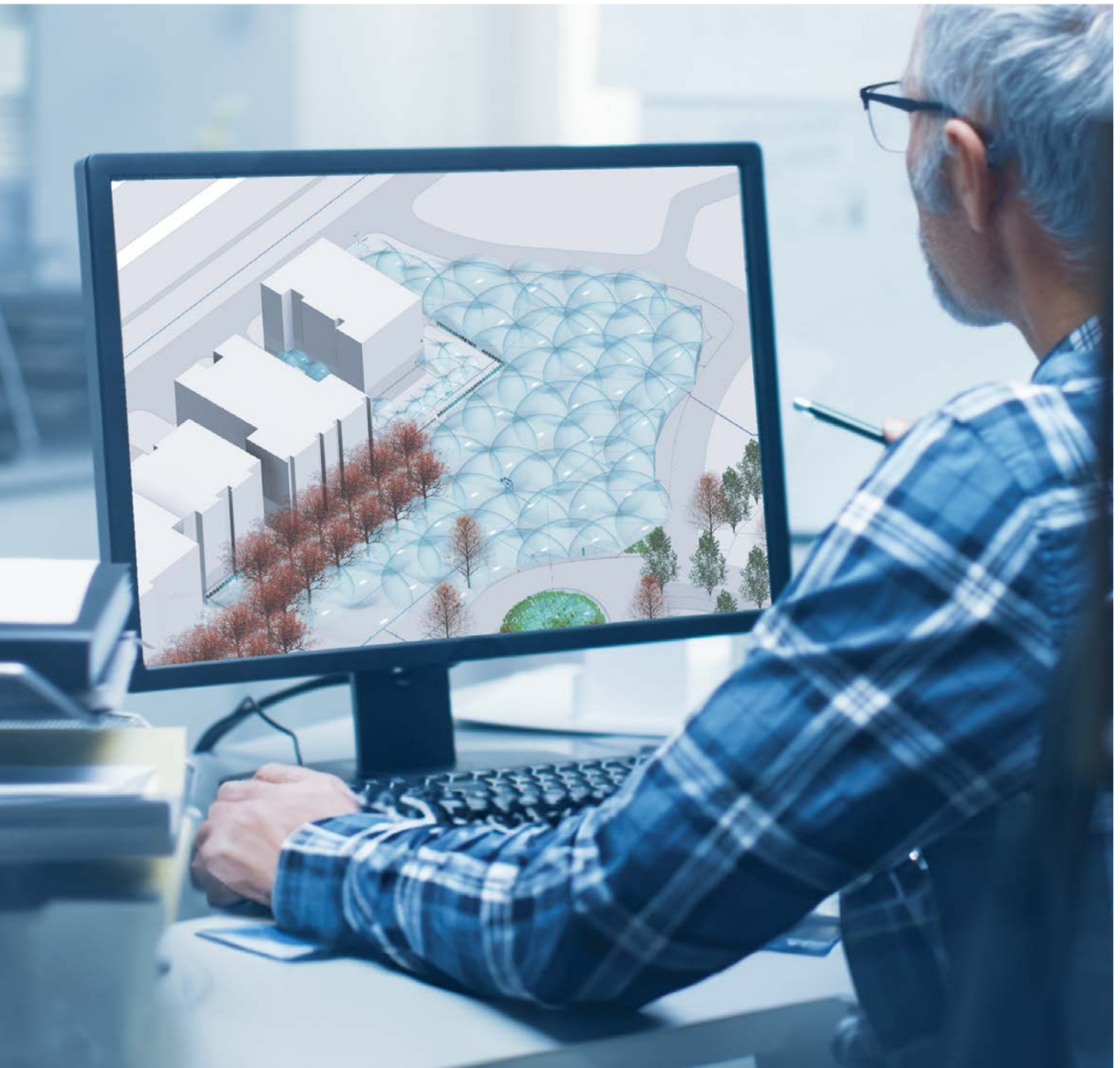


BIM: BUILDING INFORMATION MODELING

Intelligent product models to support design, construction, and operations

Hunter[®]



BIM Project Planning

Provides Unparalleled Solutions

With true-to-scale, three-dimensional representations and actual performance modeling, products come to life and become fully manageable for utility and construction management.



BUILDING



INFORMATION



MODELING



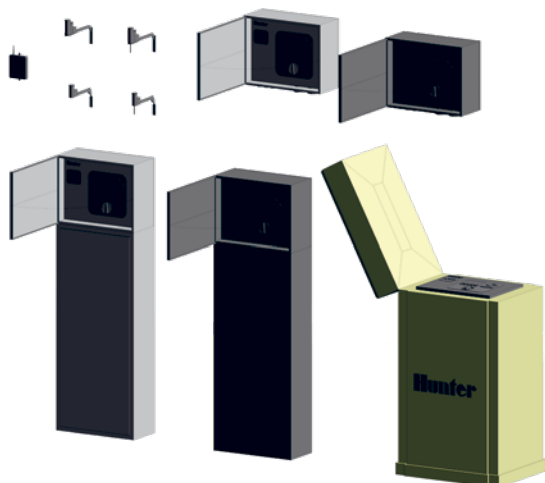
SOFTWARE



DESIGN



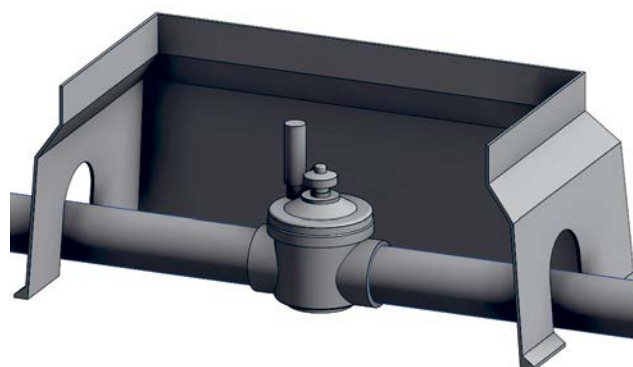
ACTUALISE



Controllers

From wall-mounted to stand-alone pedestal, Hunter controllers are fully supported in BIM applications.

Learn more about Hunter's complete line of controller products at hunter.info/ControllersEM.

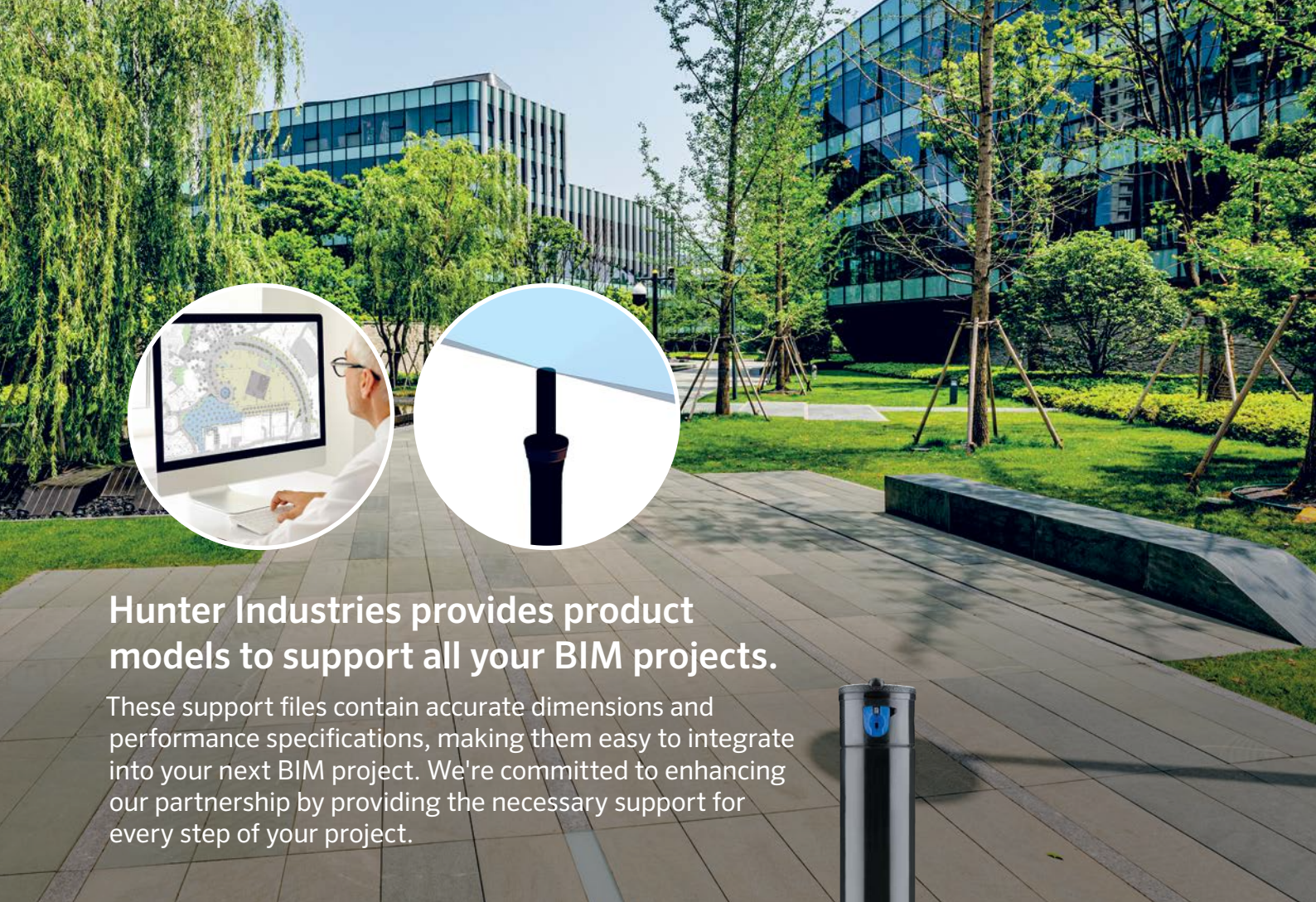


Valves

Valves require extra attention when managing irrigation mainline and laterals. Our BIM models make managing these components easier and more intuitive than ever.

Learn more about Hunter's complete line of valve products at hunter.info/ValvesEM.





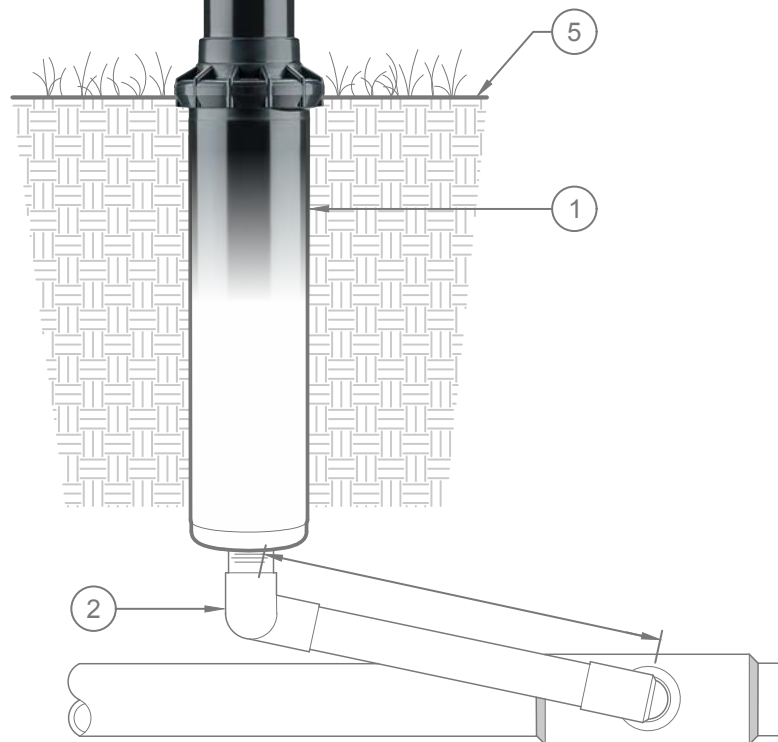
Hunter Industries provides product models to support all your BIM projects.

These support files contain accurate dimensions and performance specifications, making them easy to integrate into your next BIM project. We're committed to enhancing our partnership by providing the necessary support for every step of your project.



Application Devices

Irrigation application devices represent both product modeling and performance specifications.



Hunter offers a variety of 3D BIM models to match your specific design needs for a seamless experience.

