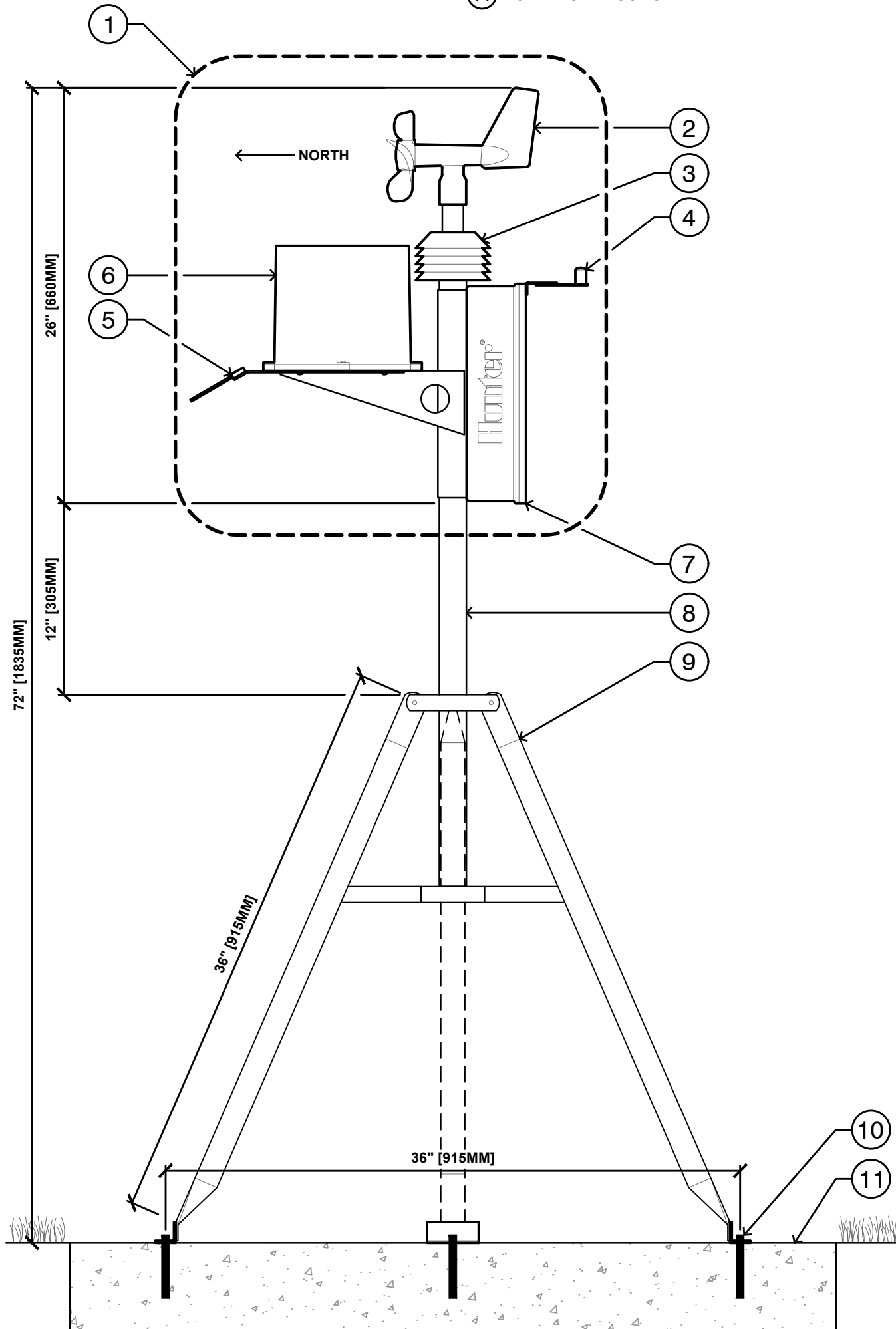


**LEGEND**

- |   |  |
|---|--|
| ① HUNTER 360 WS-360-TCP WEATHER STATION WITH MODBUS COMMUNICATION | ⑥ RAIN GAUGE                           |
| ② ANEMOMETER / WIND SENSOR  | ⑦ MODBUS TCP AND POWER SUPPLY          |
| ③ TEMPERATURE / HUMIDITY SENSOR ASSEMBLY                          | ⑧ MAST EXTENSION                       |
| ④ BAROMETRIC PRESSURE SENSOR                                      | ⑨ TRIPOD SUPPORT                       |
| ⑤ SOLAR IRRADIANCE SENSOR   | ⑩ 4 X 3/8" MASONRY ANCHORS (BY OTHERS) |
|   | ⑪ 48" PRECAST CONCRETE SLAB            |



**NOTES**

1. ALIGN ANEMOMETER TO TRUE NORTH.
2. PROVIDE LIGHTING PROTECTION AND GROUNDING AS REQUIRED.
3. REFER TO THE HUNTER INSTALLATION GUIDE FOR FURTHER INSTRUCTIONS.

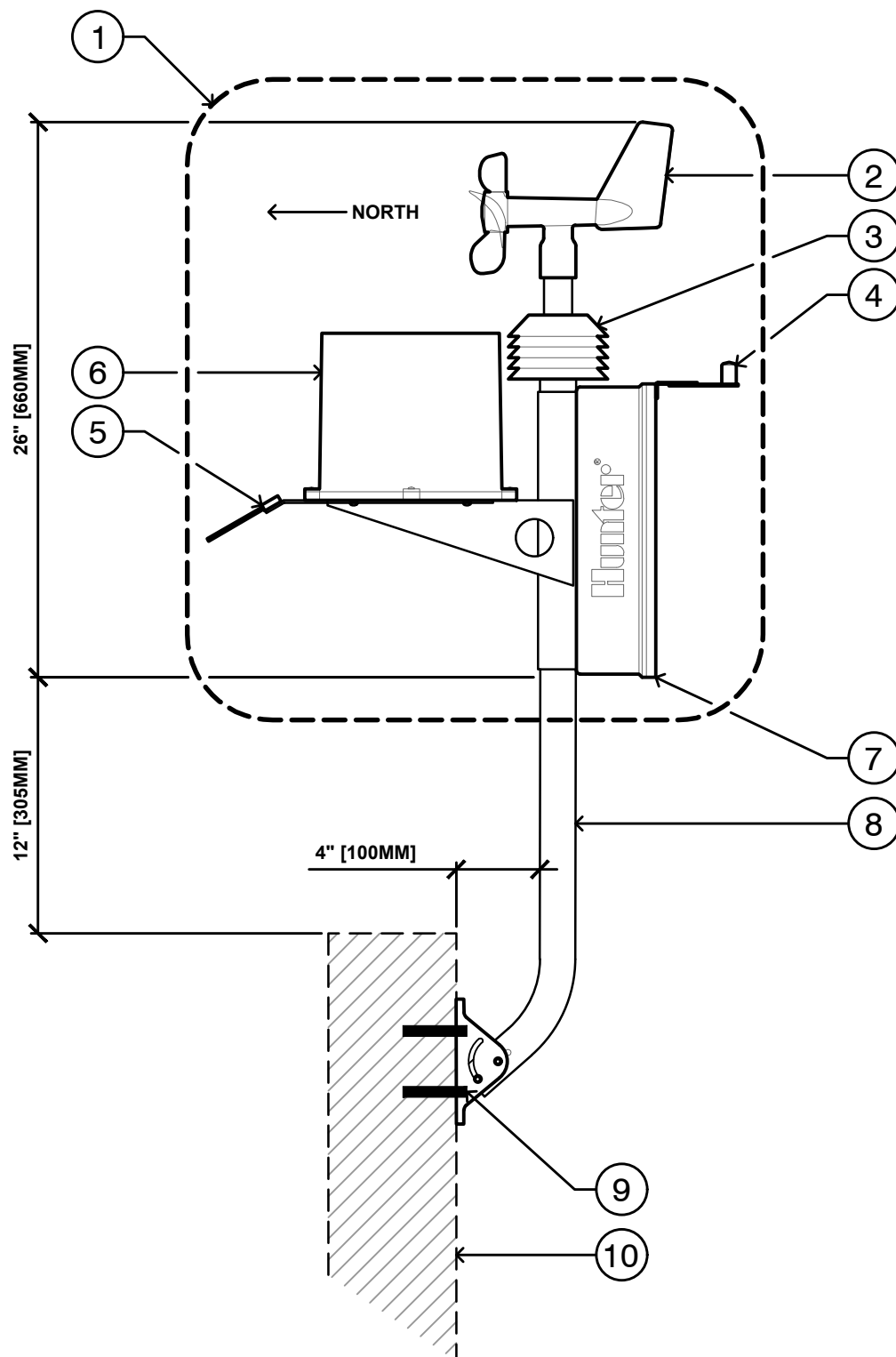


**360 WEATHER STATION, TRIPOD MOUNT**

N.T.S.

**LEGEND**

- |   |                                     |
|---|-------------------------------------|
| ① HUNTER 360 WS-360-TCP WEATHER STATION WITH MODBUS COMMUNICATION | ⑥ RAIN GAUGE                        |
| ② ANEMOMETER / WIND SENSOR  | ⑦ MODBUS TCP AND POWER SUPPLY       |
| ③ TEMPERATURE / HUMIDITY SENSOR ASSEMBLY                          | ⑧ PIPE MOUNT KIT                    |
| ④ BAROMETRIC PRESSURE SENSOR                                      | ⑨ 3 X 5/16" LAG ANCHORS (BY OTHERS) |
| ⑤ SOLAR IRRADIANCE SENSOR   | ⑩ WALL OR CONCRETE POST             |



**NOTES**

1. ALIGN ANEMOMETER TO TRUE NORTH.
2. PROVIDE LIGHTING PROTECTION AND GROUNDING AS REQUIRED.
3. REFER TO THE HUNTER INSTALLATION GUIDE FOR FURTHER INSTRUCTIONS.