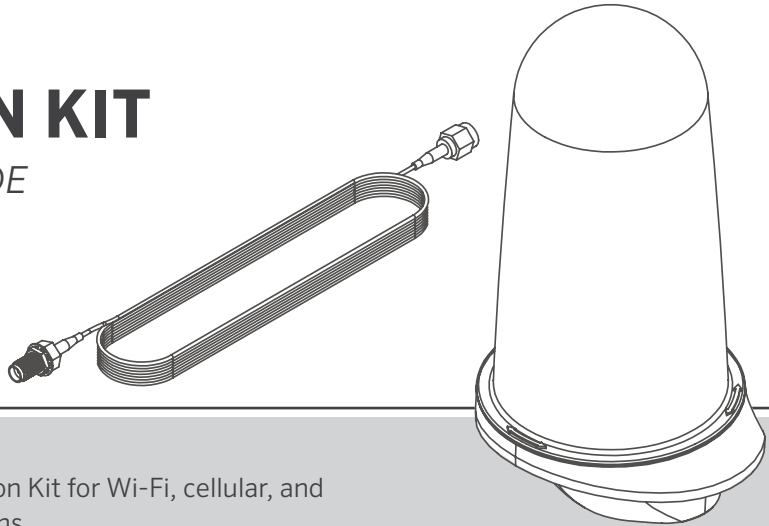


# UNIVERSAL ANTENNA EXTENSION KIT

*INSTALLATION GUIDE*



## **ANT-EXT-KIT**

Universal Antenna Extension Kit for Wi-Fi, cellular, and LoRa® radio communications

**Hunter®**

# Table of Contents

---

- 2 Introduction**
- 4 Components**
- 6 Mounting**
- 7 Antenna Installation Instructions**
  - 7** A2C-WIFI Module
  - 9** HCC Wi-Fi Antenna
  - 11** A2C-LTEM Cellular Connection Module
  - 13** Wireless Valve Output Module
- 15 Notes**

## Introduction

The Universal Antenna Extension Kit is beneficial for improving line-of-sight wireless communication for Wi-Fi, cellular, and LoRa radio communications. This kit is for use with a variety of Hunter antennas and wireless modules:

### Wi-Fi

- ACC2 Controllers - A2C-WIFI Module
- HCC Controllers - removable antenna within facepack

### Cellular

- ACC2 Controllers - A2C-LTEM Cellular Connection Module

### LoRa Radio

- Wireless Valve Output Module (WVOM-E)



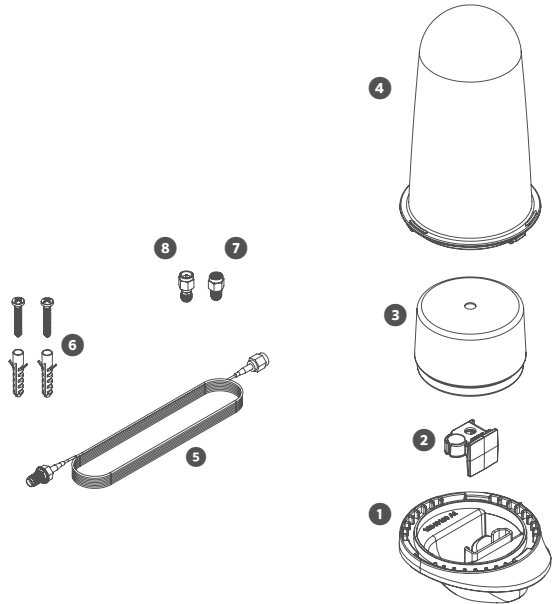
**SCAN**  
for help



Need more helpful information  
on your product?

## Components

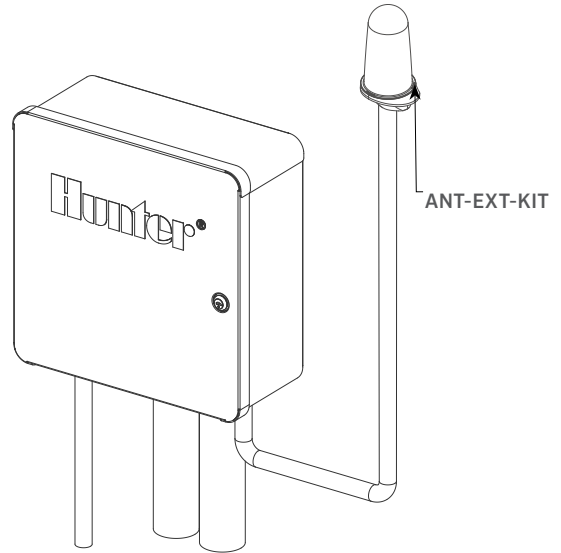
Item	Description
1	Antenna Mount Base
2	Antenna Mount Adapter
3	Ground Plane for WVOM Antenna
4	Antenna Mount Cover
5	3 m Cable Extension
6	Wall Mounting Screws and Anchors
7	SMA Adapter A (RP-SMA Male x SMA Female)
8	SMA Adapter B (SMA Male x RP-SMA Female)



# Mounting

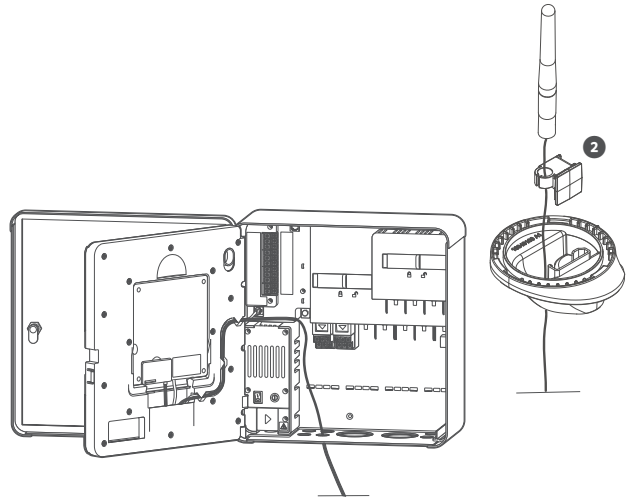
---

The Universal Antenna Extension Kit is designed to be installed on top of 20 mm electrical conduit or PVC pipe. It can also be mounted to a wall using the included screws and wall anchors. This will prevent any damage to the wire and/or antenna connectors.



## A2C-WIFI Module

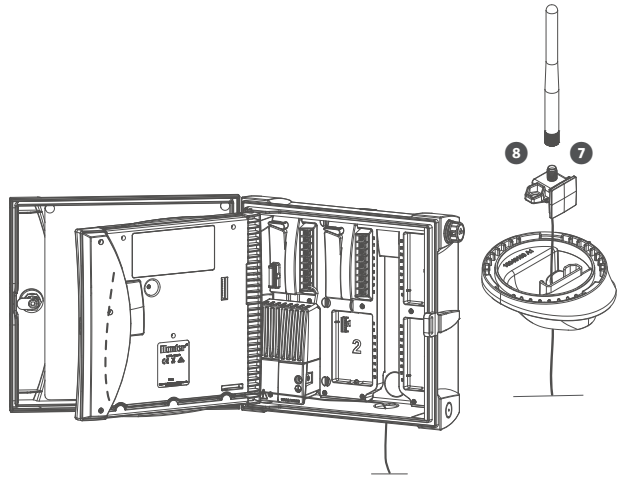
1. Remove the existing antenna from the A2C-WIFI Module.
2. Thread the male end of the extension cable to the A2C-WIFI Module.
3. Route the cable out of the cabinet to the desired mounting location.
4. Feed the other end of the cable up through the bottom of the antenna mounting base and thread onto the original antenna.
5. Position the A2C antenna mount adapter (component #2) as shown, and secure the antenna in place using the adapter.
6. Insert the antenna mount adapter within the mounting base.
7. Attach the antenna mount cover to the base by twisting the two pieces together clockwise.



# Antenna Installation Instructions

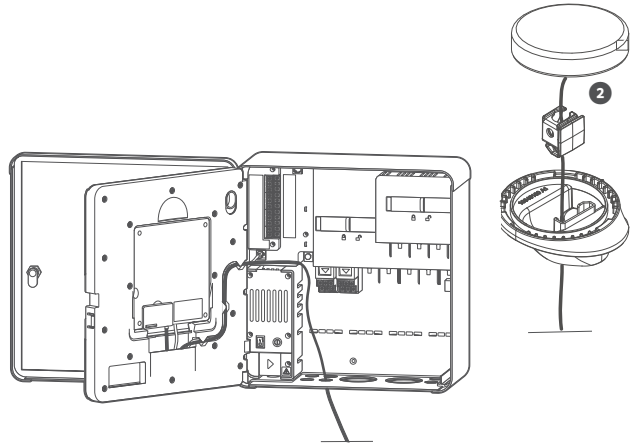
## HCC Wi-Fi Antenna

1. Remove the plastic cover (three screws) from the back of the HCC facepack and remove the existing Wi-Fi antenna.
2. Thread SMA Adapter A (component #7) onto the male end of the extension cable.
3. Connect the extension cable to the antenna connector within the facepack, and route the cable out of the cabinet to the desired mounting location.
4. Install SMA Adapter B (component #8) on the other end of the cable and feed the cable up through the bottom of the antenna mounting base.
5. Position the antenna mount adapter as shown, and secure the cable in place using the locknut on the connector.
6. Reinstall the Wi-Fi antenna and insert the antenna mount adapter in place within the mounting base.
7. Attach the antenna mount cover to the base by twisting the two pieces together clockwise.



## A2C-LTEM Cellular Connection Module

1. Remove the existing antenna from the A2C-LTEM Module.
2. Thread the male end of the extension cable to the A2C-LTEM Module.
3. Route the cable out of the cabinet to the desired mounting location.
4. Feed the other end of the cable up through the bottom of the antenna mounting base and thread onto the original antenna.
5. Position the antenna mount adapter (component #2) as shown.
6. Remove the plastic film from the underside of the antenna and secure the antenna in place within the mounting base with the adhesive sticking to the base.



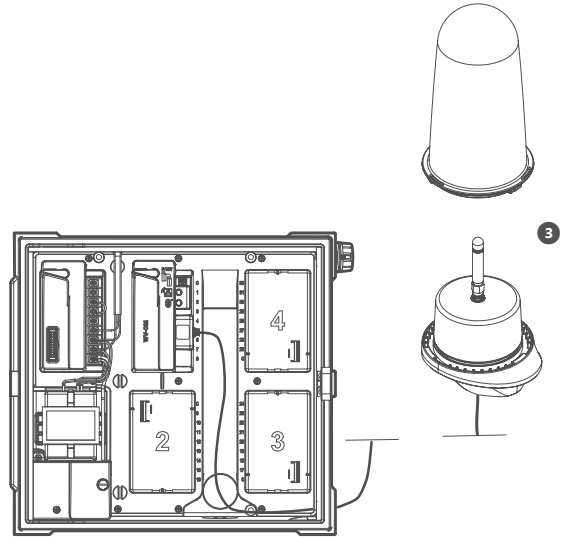
### Note:

The antenna mount cover is not used in this configuration.

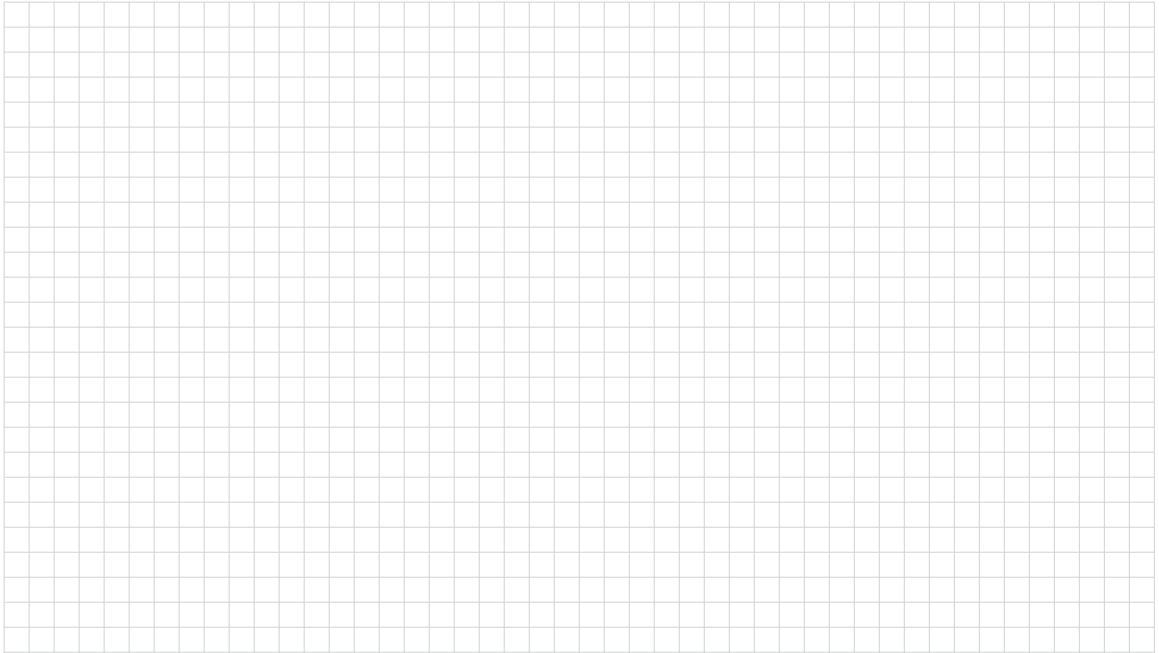
# Antenna Installation Instructions

## Wireless Valve Output Module (LoRa Radio)

1. Remove the existing antenna from the Wireless Valve Output Module.
2. Thread the male end of the extension cable to the Wireless Valve Output Module.
3. Route the cable out of the cabinet to the desired mounting location.
4. Feed the other end of the cable up through the bottom of the antenna mounting base.
5. Position the antenna ground plane (component #3) as shown, and secure the cable in place using the locknut on the connector.
6. Reinstall the WVOM antenna and insert the antenna mount adapter in place within the mounting base.
7. Attach the antenna mount cover to the base by twisting the two pieces together clockwise.

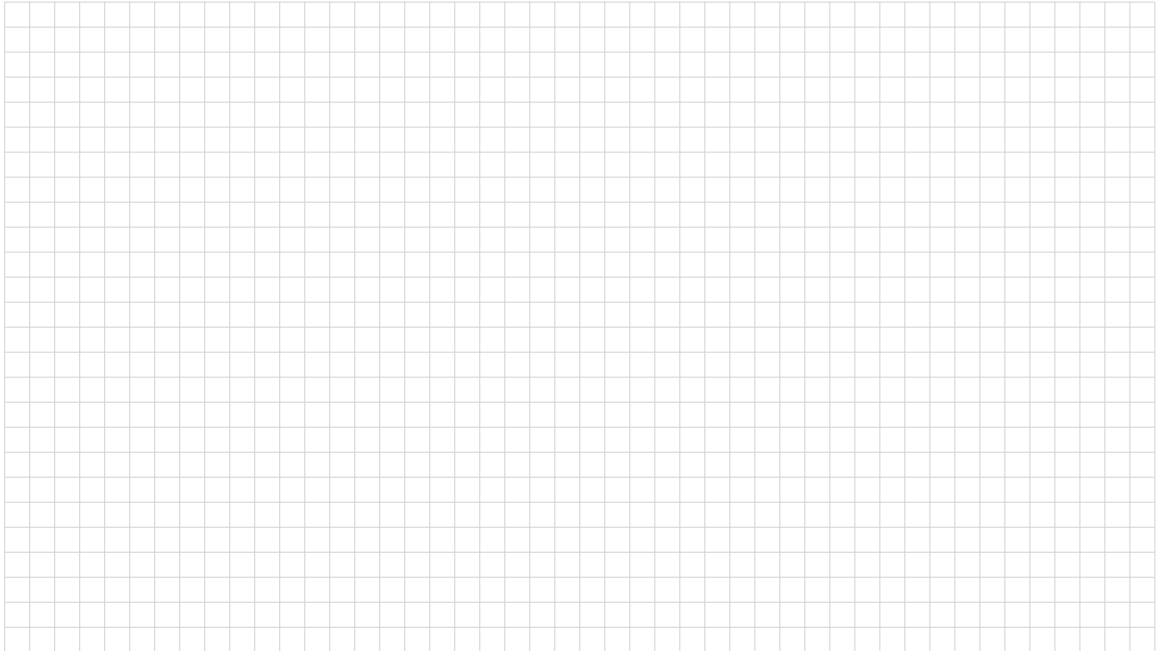






# Notes

---





---

Helping our customers succeed is what drives us. While our passion for innovation and engineering is built into everything we do, it is our commitment to exceptional support that we hope will keep you in the Hunter family of customers for years to come.



**Denise Mullikin, President,  
Landscape Irrigation and Outdoor Lighting**

---

**HUNTER INDUSTRIES** | *Built on Innovation*<sup>®</sup>  
1940 Diamond Street, San Marcos, CA 92078 USA  
hunterindustries.com

© 2024 Hunter Industries Inc. Hunter, the Hunter logo,  
and other marks are trademarks of Hunter Industries Inc.,  
registered in the U.S. and certain other countries.