



- 01 **Slim:** With a sleek, durable body, the PS Ultra performs well in tight spaces
- 02 **Compatible:** Works with all nozzles for easy retrofitting
- 03 **Versatile:** PS Ultra is available in an array of sizes and pre-inserted nozzle options

PS ULTRA SLIM-LINE SPRAY SPRINKLER

PS Ultra Is the Slim Spray with Essential Features for Any Installation

Perfect for standard residential applications, this compact, slim-line spray sprinkler comes in 5 cm, 10 cm, and 15 cm models. Its innovative body incorporates a reliable two-piece ratchet, durable cap, male-threaded riser, and large filter screen, providing double filtration on 10 cm and 15 cm models. Additionally, the 5 cm and 10 cm models are retro-compatible with existing PS Spray bodies, which allows for a quick and easy upgrade. Standard PS Ultra models include a pre-installed Pro Adjustable Nozzle. A Flush Plug version is available without a nozzle or filter screen. With a range of compatible nozzles to choose from, finding the most efficient solution for any application is simple.

PS ULTRA FEATURES & SPECIFICATIONS

Features

- Application: Residential
- Models: 5 cm, 10 cm, 15 cm
- Nozzle choices: 2.4 m, 3.0 m, 3.7 m, 4.6 m, 5.2 m, 1.5 x 9.0 m side strip (side strip pattern available on 5 cm and 10 cm models only)
- Optional preinstalled Pro Adjustable Nozzle
- Enhanced cap for more durability, easier handling, and extended riser seal life
- 5 cm and 10 cm models can retrofit into older-style PS sprays
- Two-piece ratchet for reliable riser adjustment
- Male-threaded riser to accept all female nozzles
- Available with flush plug (large filter screen not included)
- Optional extra-large filter screen
- Warranty period: 2 years

Specifications

- Recommended pressure range: 1.4 to 4.8 bar; 140 to 480 kPa
- Flow rate: 0.72 to 21.75 l/min; 0.04 to 1.30 m³/hr
- Radius: 2.2 m to 5.8 m
- Precipitation rates: 35 to 42 mm/hr approx.

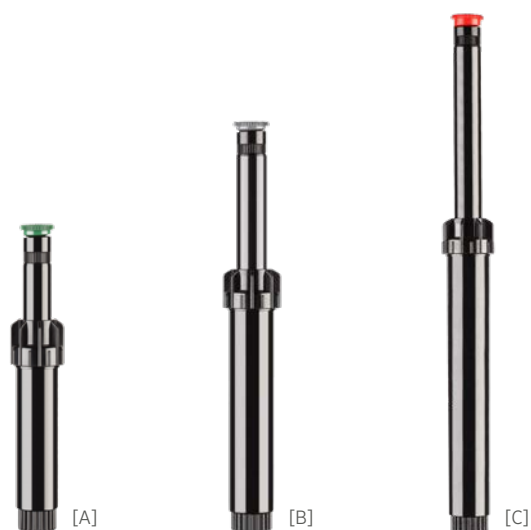
PS ULTRA - SPECIFICATION BUILDER: ORDER 1 + 2 + 3 (OPTIONAL)

1	Model	2	Nozzles	3	Optional
	PSU-02 = 5 cm pop-up		(blank) = Flush plug, no large filter screen		NFO = Nozzle filter only <i>(Available for 10 cm model only)</i>
	PSU-04 = 10 cm pop-up		8A = 2.4 m adjustable nozzle		
	PSU-06 = 15 cm pop-up		10A = 3.0 m adjustable nozzle		
			12A = 3.7 m adjustable nozzle		
			15A = 4.6 m adjustable nozzle		
			17A = 5.2 m adjustable nozzle		
			5SS = 1.5 m x 9.0 m side strip <i>(not available for PSU-06)</i>		

Examples:

PSU-04 - 15A = 10 cm pop-up with a 4.6 m adjustable nozzle
PSU-02 - 5SS = 5 cm pop-up with a 1.5 m x 9.0 m side strip
PSU-06 - 10A = 15 cm pop-up with a 3.0 m adjustable nozzle
PSU-04 - 12A - NFO = 10 cm pop-up with a 3.7 m adjustable nozzle, nozzle filter only

Models



[A] PSU-02

Overall height: 12 cm
 Pop-up height: 5 cm
 Exposed diameter: 3 cm
 Inlet size: ½"

[B] PSU-04

Overall height: 18 cm
 Pop-up height: 10 cm
 Exposed diameter: 3 cm
 Inlet size: ½"

[C] PSU-06

Overall height: 24 cm
 Pop-up height: 15 cm
 Exposed diameter: 3 cm
 Inlet size: ½"

DIRECTIONAL FLUSH PLUG

The PS Ultra comes equipped with a flush plug when ordered standard without a nozzle. The PS Ultra flush plug is directional, allowing the user to avoid uncontrolled flooding of the head area.



Website hunterirrigation.com | **Customer Support** +1-760-752-6037 | **Technical Service** +1-760-591-7383

Helping our customers succeed is what drives us. While our passion for innovation and engineering is built into everything we do, it is our commitment to exceptional support that we hope will keep you in the Hunter family of customers for years to come.

Denise Mullikin

Denise Mullikin, President, Landscape Irrigation and Outdoor Lighting