

# Replacement Parts List

RESIDENTIAL & COMMERCIAL IRRIGATION | *Built on Innovation®*

# Hunter®



EFFECTIVE NOVEMBER 2022  
Supersedes all previous parts lists. Specifications are subject to change without notice.

[hunterindustries.com](http://hunterindustries.com)

# TABLE OF CONTENTS

## **ROTORS .....1**

PGJ-00: Gear-Driven Rotor .....	1
PGJ-04, -06, -12: Gear-Driven Rotor .....	2
SRM-04; PGM-04, -06, -12: Gear-Driven Rotor (Before January 2021) .....	3
SRM-04: Gear-Driven Rotor (After January 2021) .....	4
PGP-ADJ: Gear-Driven Rotor .....	5
PGP-ATR: Gear-Driven Rotor .....	6
PGP-00: Gear-Driven Rotor .....	7
PGP-00-PRB: Gear-Driven Rotor .....	8
PGP-04 Ultra, PGP-06 Ultra, PGP-12 CV Ultra: Gear-Driven Rotor .....	9
PGP-04-PRB Ultra: Gear-Driven Rotor .....	10
I-20-00: Gear-Driven Rotor .....	11
I-20-00-PRB: Gear-Driven Rotor .....	12
I-20-04, I-20-06, I-20-12: Gear-Driven Rotor .....	13
I-20-04-PRB, I-20-06-PRB: Gear-Driven Rotor .....	14
I-25-04, I-25-06: Gear-Driven Rotor .....	15
I-40-04, I-40-06: Gear-Driven Rotor .....	16
I-50-06: Gear-Driven Rotor .....	17
I-80: Gear-Driven Rotor .....	18
I-90: Gear-Driven Rotor .....	19

## **ST SYSTEMS .....21**

ST-90: Gear-Driven Rotor .....	21
STG-900: Gear-Driven Rotor .....	22
ST-1600-HSB: Pop-Up & Gear Drive .....	23
ST-1700V: Valve-in-Head Pop-Up & Gear Drive - INTERNATIONAL USE ONLY .....	25
ST-173026-B Vault .....	27
ST-243636-B Vault .....	28

## **NOZZLES .....29**

MP Rotator® and Spray Nozzles .....	29
-------------------------------------	----

## **SPRAYS .....30**

PSU-02, -04, -06: PS Ultra Sprinkler Bodies .....	30
PROS-02, -03, -04, -06, -12: Pro-Spray® Sprinkler Bodies .....	31
PRS30-04, -06, -12: Pro-Spray Pressure-Regulated Sprinkler Bodies .....	32
PRS40-04CV, -06CV, -12CV: Pro-Spray Pressure-Regulated Sprinkler Bodies .....	33

## **VALVES .....34**

SRV: Plastic Valve .....	34
PGV-ASV: Plastic Valve, 6-Bolt Bonnet Design .....	35
PGV-ASV: Plastic Valve, 4-Bolt Bonnet Design .....	36
PGV-100G, PGV-101G: Plastic Valve .....	37
PGV Jar-Top: Plastic Valve .....	38
PGV-100A, PGV-101A: Plastic Valve .....	39
PGV-151, PGV-201: Plastic Valve .....	40
HPV: Plastic Valve .....	41
IBV-101G: Brass Valve .....	42
IBV-151G, IBV-201G: Brass Valves .....	43
IBV-301G: Brass Valve .....	44
ICV-101G: Plastic Valve .....	45
ICV-151G, ICV-201G: Plastic Valve .....	46
ICV-301: Plastic Valve .....	47
Accu Sync® Pressure Regulator .....	48
ICZ-101: Drip Control Zone Kit .....	49
ICZ-101-LF: Drip Control Zone Kit .....	50

## **MICRO IRRIGATION .....51**

ICZ-151: Drip Control Zone Kit .....	51
ICZ-201: Drip Control Zone Kit .....	52
PCZ-101: Drip Control Zone Kit .....	53
PCZ-101: Drip Control Zone Kit (Before January 2014) .....	54
ACZ-075: Drip Control Zone Kit .....	55
ACZ-075: Drip Control Zone Kit (Before January 2014) .....	56
IBZ-101: Brass Valve Drip Control Zone Kit .....	57
IBZ-101-LF: Brass Valve Drip Control Zone Kit .....	58
IBZ-151: Brass Valve Drip Control Zone Kit .....	59
IBZ-201: Brass Valve Drip Control Zone Kit .....	60

## **QUICK COUPLER VALVES .....61**

HQ3RC: Quick Coupler Valve .....	61
HQ33RC, HQ33LRC, HQ33LRCR: Quick Coupler Valve .....	62
HQ44RC, HQ44LRC, HQ44LRCR: Quick Coupler Valve .....	63
HQ44RCAW, HQ44LRCAW, HQ44LRCAWR: Quick Coupler Valve .....	64
HQ5RC, HQ5LRC, HQ5LRCR: Quick Coupler Valve .....	65

## **STANDARD CONTROLLERS .....66**

X2™: Wi-Fi Capable Outdoor Mount Controller .....	66
X-Core®: Indoor/Outdoor Mount Controller .....	67
Pro-C® and PCC: Indoor/Outdoor Mount Controller .....	68
I-Core®: Plastic Cabinet .....	69
I-Core: Metal Cabinet .....	70
I-Core: Plastic Pedestal .....	71

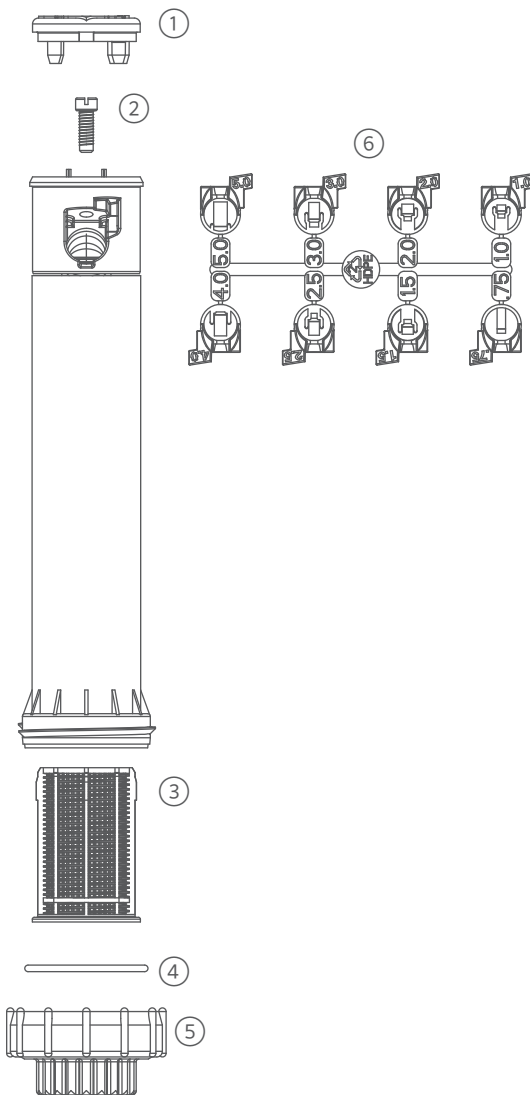
---

<b>HYDRAWISE® CONTROLLERS .....</b>	<b>72</b>
HC: Wi-Fi Controller .....	72
HPC: Wi-Fi Controller .....	73
Pro-HC: Wi-Fi Controller .....	74
HCC: Wi-Fi Controller, Plastic Cabinet .....	75
HCC: Wi-Fi Controller, Metal Cabinet .....	76
<b>CENTRALUST™ CONTROLLERS.....</b>	<b>77</b>
ICC2: Plastic Cabinet .....	77
ICC2: Metal Cabinet .....	78
ACC2 Decoder Replacement Parts A2C-75D-M, A2C-75D-P	79
ACC2 Conventional Replacement Parts (A2C-1200-M, A2C-1200-P).....	80
Plastic Pedestal (2017 to Present) .....	81
<b>IMMSTM ONLINE CONTROLLERS.....</b>	<b>82</b>
ACC: Pedestal Controller.....	82
ACC: Wall-Mount Controller .....	83
Communications Modules and Parts .....	84
IMMS-CCC: Irrigation Management and Monitoring System	85
<b>DECODERS AND ACCESSORIES .....</b>	<b>86</b>
ICD-HP Components .....	86
IDS: Plastic Pedestal .....	87
IDS: Controller Components .....	88
ROAM: Remote Control Unit .....	89
ROAM XL: Remote Control Unit.....	90
PSR: Pump Start Relay .....	91
PSR-B: Pump Start Relay Booster .....	92
<b>BATTERY-POWERED CONTROLLERS .....</b>	<b>93</b>
NODE: Battery-Powered Controller .....	93
NODE-BT: Bluetooth® Battery-Powered Controller.....	94
XC Hybrid: Mounted Battery-Powered Plastic Controller .....	95
XC Hybrid: Mounted Battery-Powered Stainless Steel Controller .....	96
<b>SENSORS .....</b>	<b>97</b>
Mini-Click®: Rain Sensor .....	97
Wired Rain-Click®: Rain Sensor .....	98
Wireless Mini-Click: Rain Sensor .....	99
Wireless Rain-Click: Rain Sensor.....	100
Solar Sync®: ET Sensor.....	101
ET System .....	102
<b>ACCESSORIES .....</b>	<b>103</b>
<b>STATEMENT OF WARRANTY .....</b>	<b>105</b>

# ROTORS

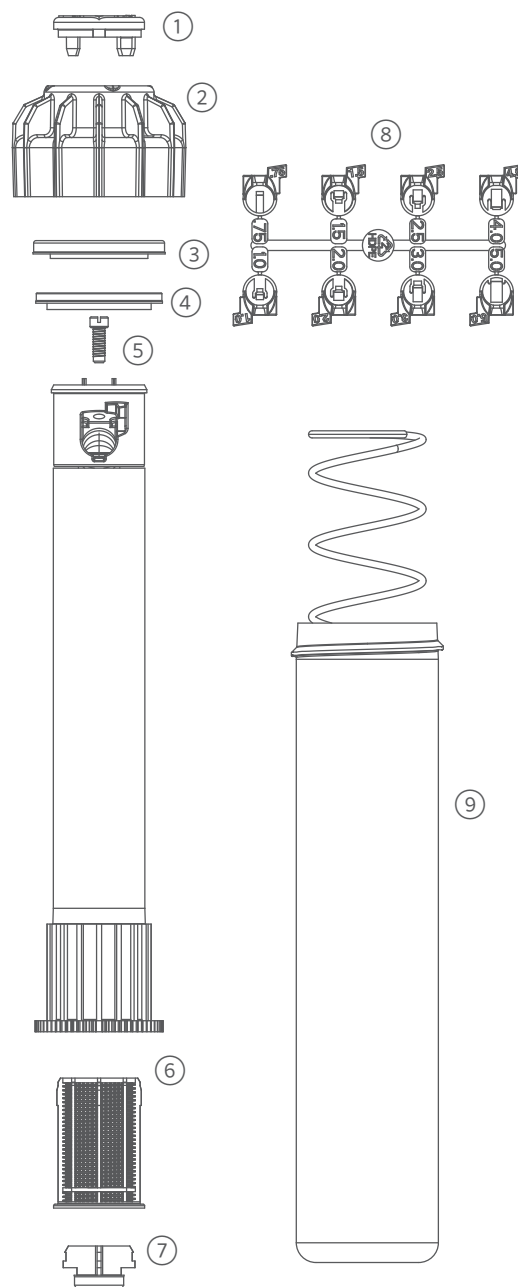
## PGJ-00: GEAR-DRIVEN ROTOR

ITEM	DESCRIPTION	CATALOG NO.	
1	Rubber Cover	Black	537800SP
		Purple	537810
2	Nozzle Retention Screw	537900	
3	Screen	272000	
4	O-Ring	464500	
5	Shrub Head Base	372800	
6	Nozzle Rack (with 8 Nozzles)	538700SP	



**PGJ-04, -06, -12: GEAR-DRIVEN ROTOR**

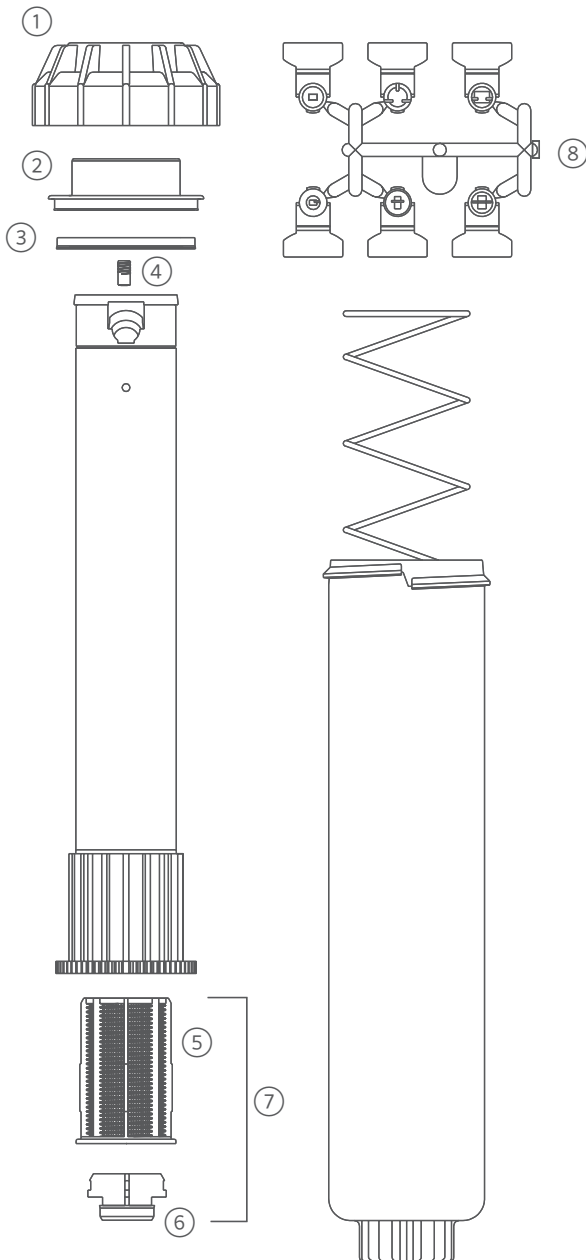
ITEM	DESCRIPTION	CATALOG NO.	
1	Rubber Cover	Black	537800SP
		Black with Check Valve ID	537805
		Purple with Check Valve ID	537810
2	Body Cap	537400	
3	Riser Seal	538100SP	
4	Spring Seat	326500SP	
5	Nozzle Retention Screw	537900	
6	Screen	272000	
7	Check Valve	462078SP	
8	Nozzle Rack (with 8 Nozzles)	4" (10 cm)	537300
		6" (15 cm)	538400
		12" (30 cm)	538500



# ROTORS

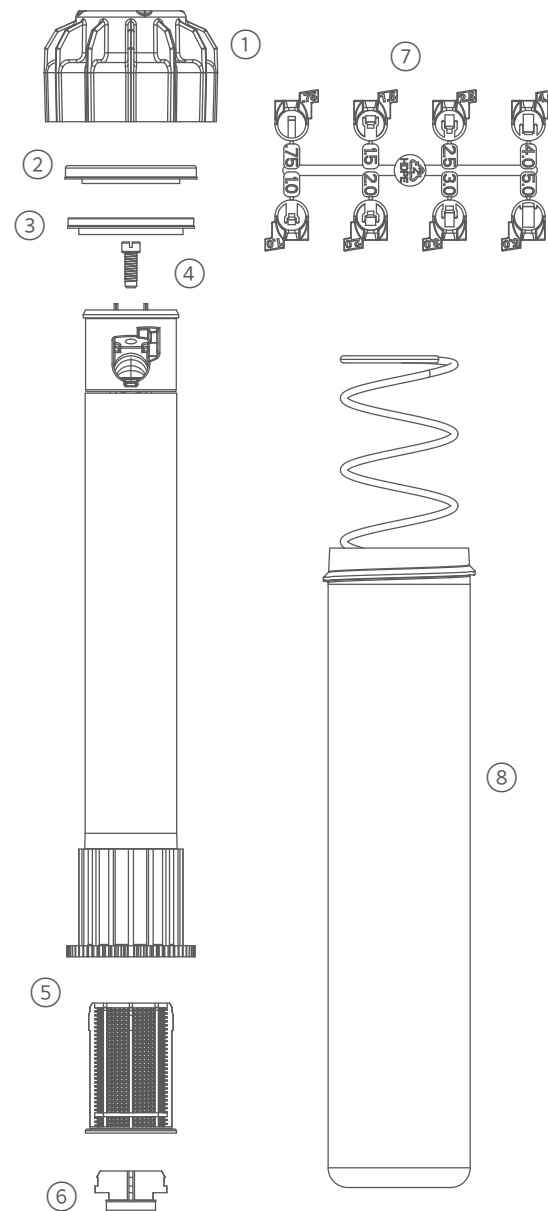
## SRM-04; PGM-04, -06, -12: GEAR-DRIVEN ROTOR (BEFORE JANUARY 2021)

ITEM	DESCRIPTION	CATALOG NO.
1	Body Cap	270700
2	Riser Seal	326400SP
3	Spring Seat	326500SP
4	Nozzle Retention Screw (Bag of 25)	463262
5	Screen (White)	272000
6	Check Valve	462078SP
7	Screen/Check Valve Assembly	302500
8	Nozzle Rack (with 0.50, 0.75, 1.0, 1.5, 2.0, 3.0)	327000SP



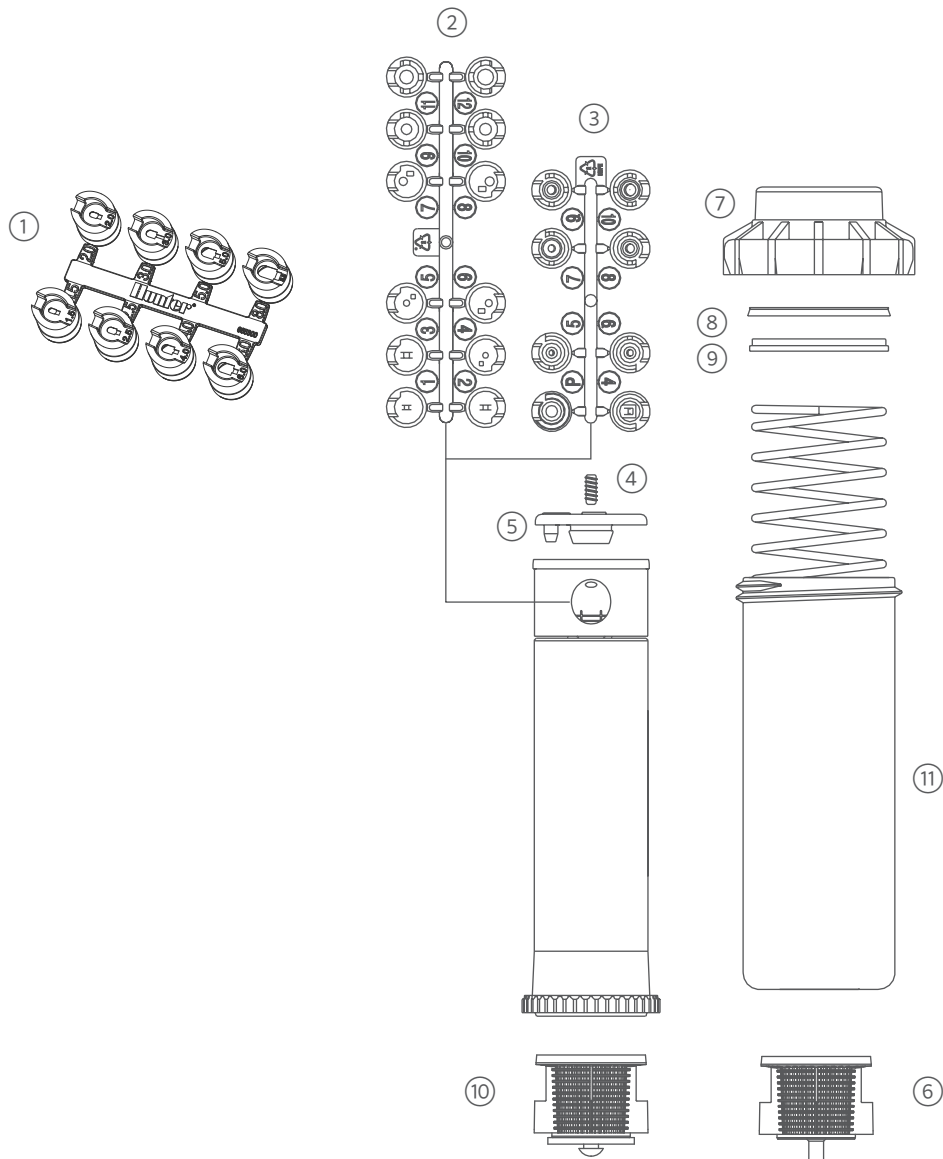
**SRM-04: GEAR-DRIVEN ROTOR (AFTER JANUARY 2021)**

ITEM	DESCRIPTION	CATALOG NO.
1	Body Cap	537400
2	Riser Seal	538100SP
3	Spring Seat	326500SP
4	Nozzle Retention Screw	537900
5	Screen	272000
6	Check Valve	462078SP
7	Nozzle Rack (with 8 Nozzles)	538701SP
8	Body 4" (10 cm)	537300



## PGP-ADJ: GEAR-DRIVEN ROTOR

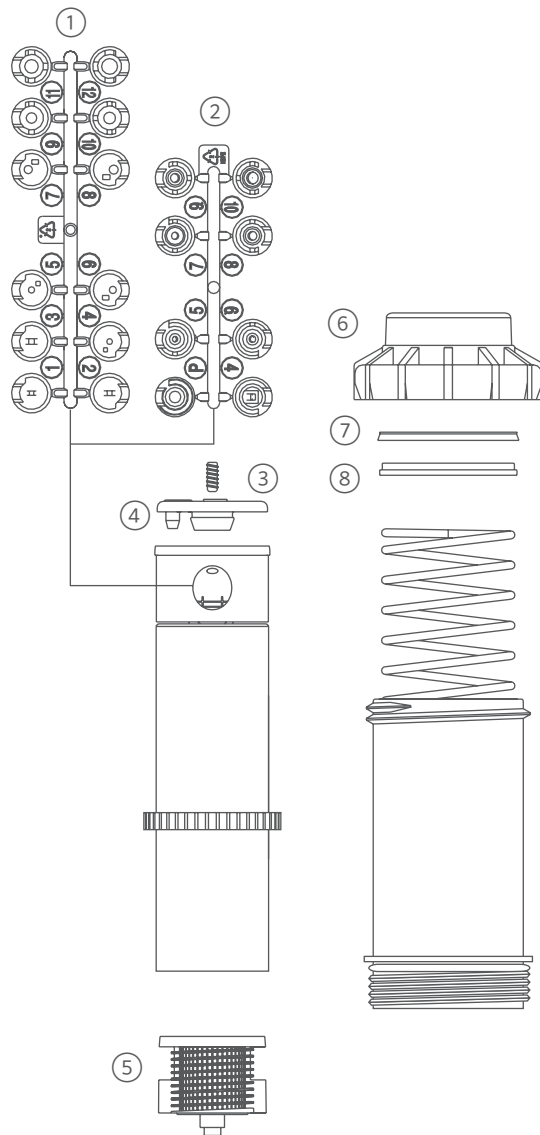
ITEM	DESCRIPTION	CATALOG NO.
1	Blue Nozzle Set, 8 Nozzles	665300SP
2	Red Nozzle Set, 12 Nozzles	130900SP
3	Gray Low-Angle Nozzles, 7 Nozzles	233200SP
4	Setscrew	120300SP
5	Protective Rubber Cover, Black (ADJ) (Fits Units Manufactured After 2/93)	269400SP
6	Standard Filter Screen, Black	102600
7	Body Cap	103700SP
8	Riser Seal (100-Pack)	181500SP
9	Spring Seat	189900SP
10	Filter Screen/Check Valve Subassembly	142300SP
11	Body 4" (10 cm)	100200





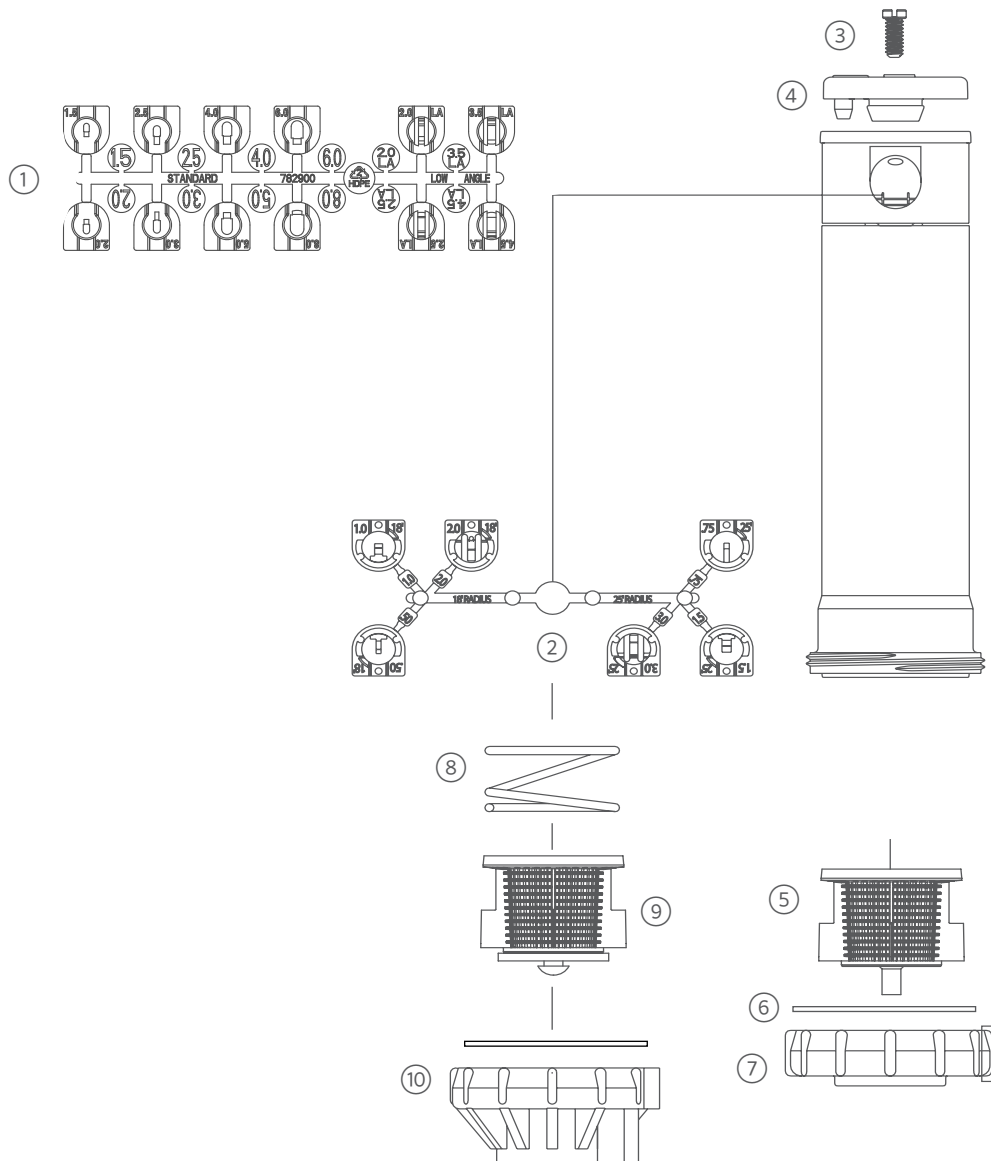
**PGP-ATR: GEAR-DRIVEN ROTOR**

ITEM	DESCRIPTION	CATALOG NO.
1	Standard Nozzle Set (12), 25° Trajectory	130900SP
2	Low-Angle Nozzle Set (7), 13° Trajectory	233200SP
3	Setscrew	120300SP
4	Protective Rubber Cover, Black (ADJ)	269400SP
5	Standard Filter Screen, Black	102600
6	Body Cap	103700SP
7	Riser Seal (100-Pack)	181500SP
8	Spring Seat	189900SP



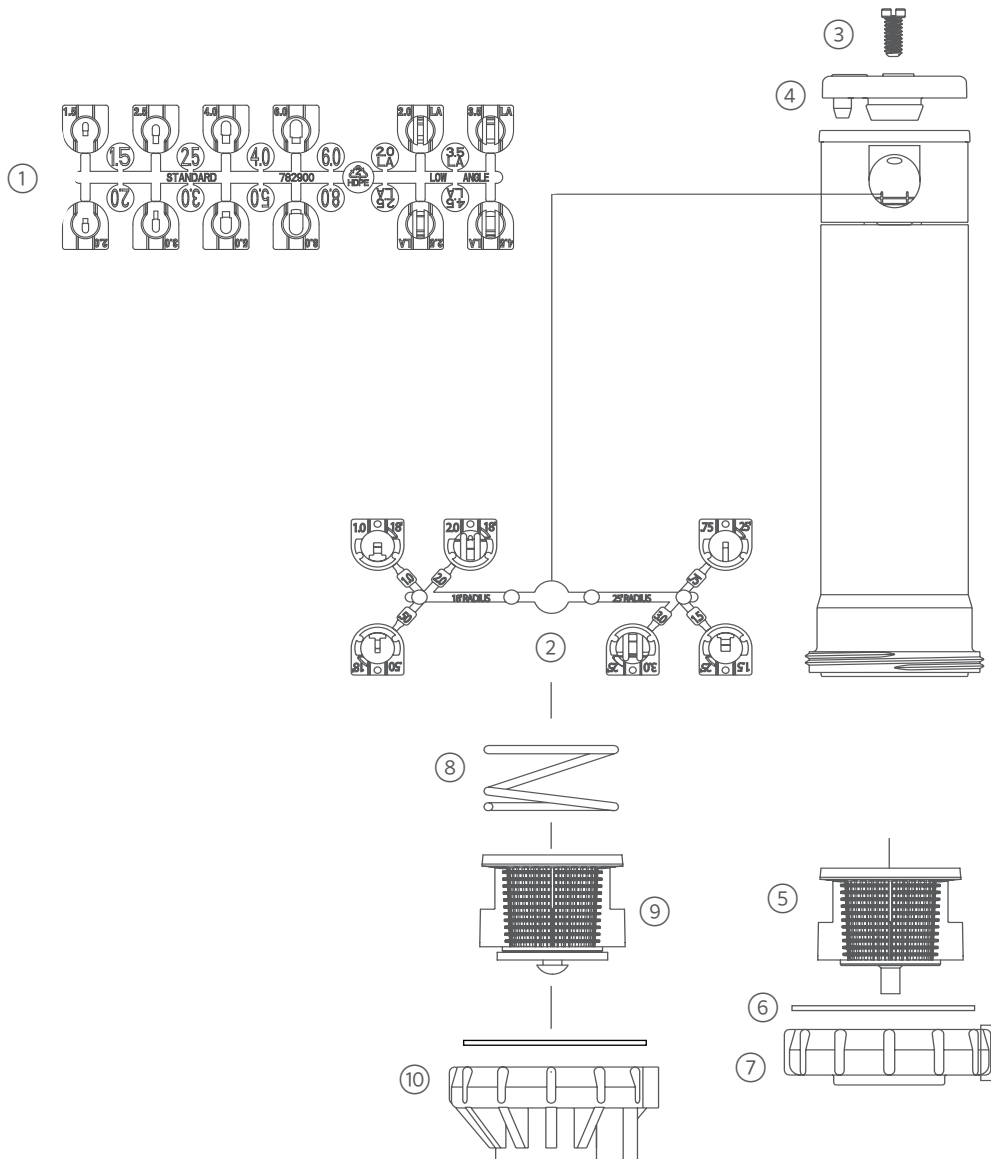
## PGP-00: GEAR-DRIVEN ROTOR

ITEM	DESCRIPTION	CATALOG NO.
1	Standard (8) and Low-Angle (4) Nozzle Set, Blue and Gray	782900SP
2	Short-Radius Nozzle Set (6)	466100SP
3	Nozzle Retainer Screw - Headed with Slot	180900
4	Rubber Cover	Black
		Purple
5	Standard Filter Screen	Black
6	O-Ring	170600
7	Standard Shrub Head Base	106900
OPTIONS		
8	Check Valve Spring	235000
9	Filter Screen/Check Valve Subassembly	142300SP
10	Shrub Head Base - Check Valve Model	234900



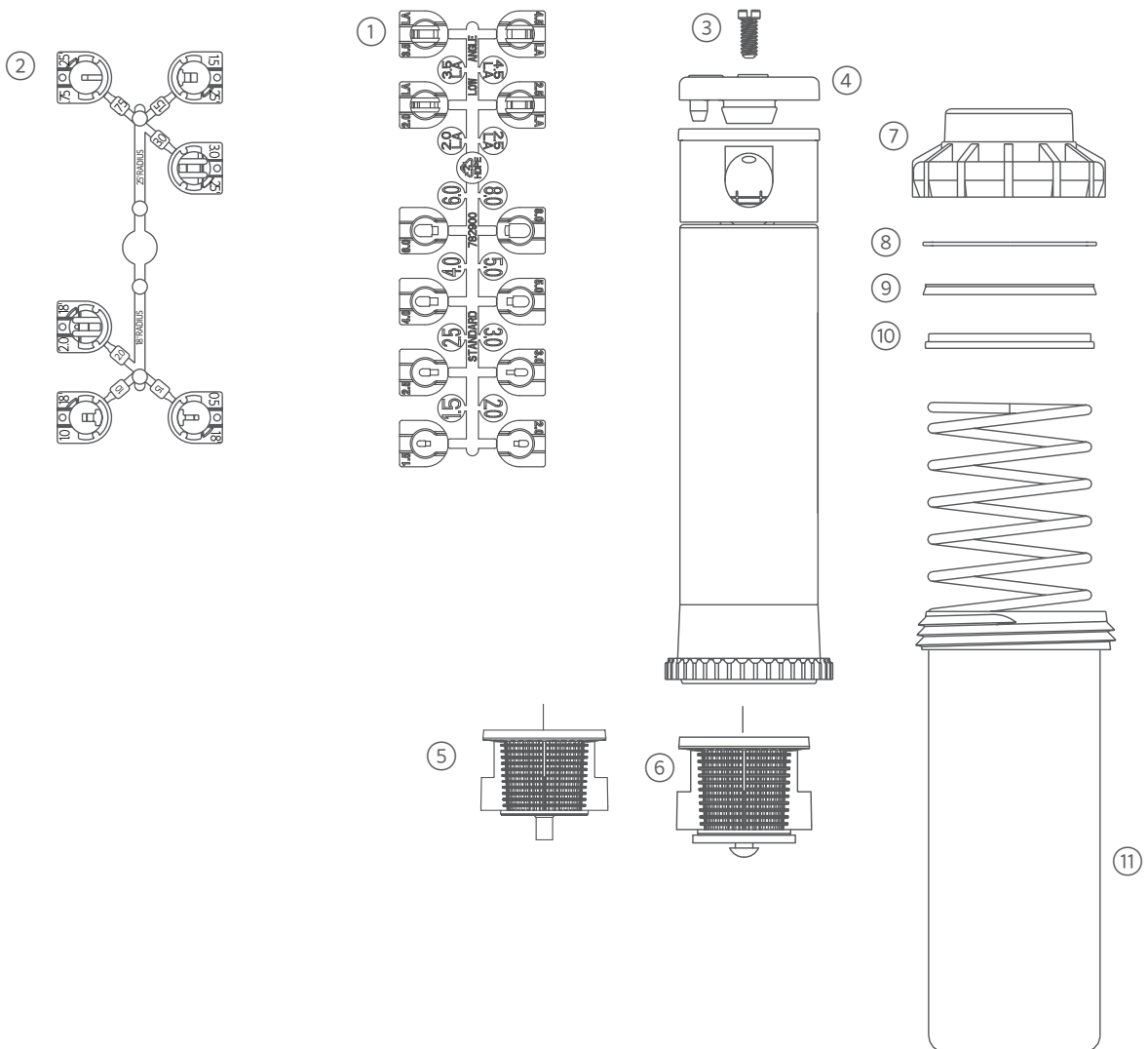
**PGP-00-PRB: GEAR-DRIVEN ROTOR**

ITEM	DESCRIPTION	CATALOG NO.	
1	Standard (8) and Low-Angle (4) Nozzle Set, Blue and Gray	782900SP	
2	Short-Radius Nozzle Set (6)	466100SP	
3	Nozzle Retainer Screw - Headed with Slot	180900	
4	Rubber Cover	Black	183600SP
		Purple	183605SP
5	Standard Filter Screen	Black	102600
6	O-Ring		170600
7	Standard Shrub Head Base		N/A
OPTIONS			
8	Check Valve Spring	235000	
9	Filter Screen/Check Valve Subassembly	142300SP	
10	Shrub Head Base with Pressure Regulator		N/A



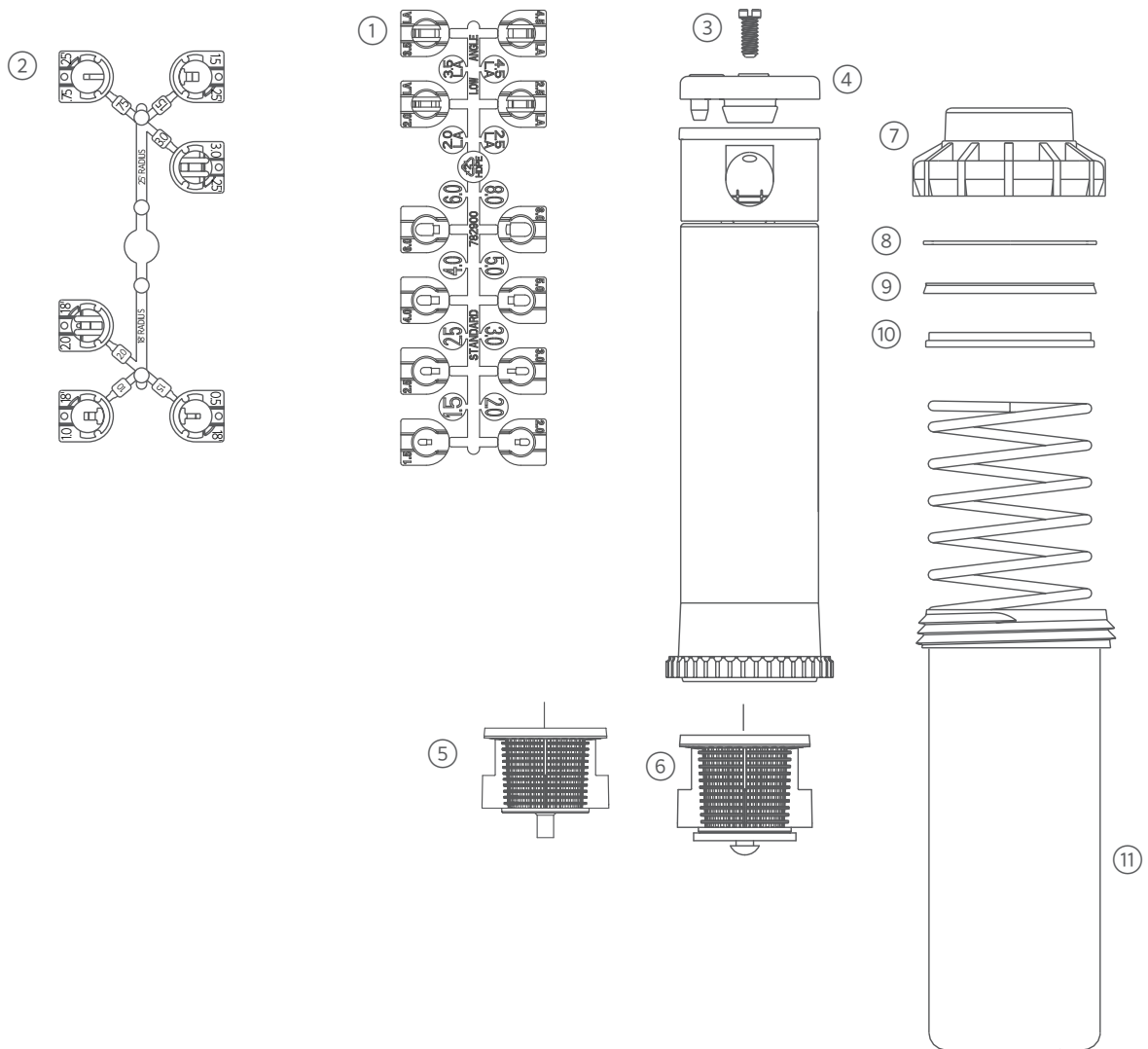
**PGP-04 ULTRA, PGP-06 ULTRA, PGP-12 CV ULTRA: GEAR-DRIVEN ROTOR**

ITEM	DESCRIPTION	CATALOG NO.	
1	Standard (8) and Low-Angle (4) Nozzle Set, Blue and Gray	782900SP	
2	Short-Radius Nozzle Set (6), Black	466100SP	
3	Nozzle Retainer Screw - Headed with Slot	180900	
4	Rubber Cover Assembly	Black	183600SP
		Purple	183605SP
5	Filter Screen - Standard Model	102600	
6	Check Valve Screen Assembly	142300SP	
7	Body Cap	103700SP	
8	Slip Washer - PGP-12-CV Only	296100	
9	Riser Seal	181500SP	
10	Spring Seat	189900SP	
11	Body	4" (10 cm)	100200
		6" (15 cm)	434701
		12" (30 cm)	179100



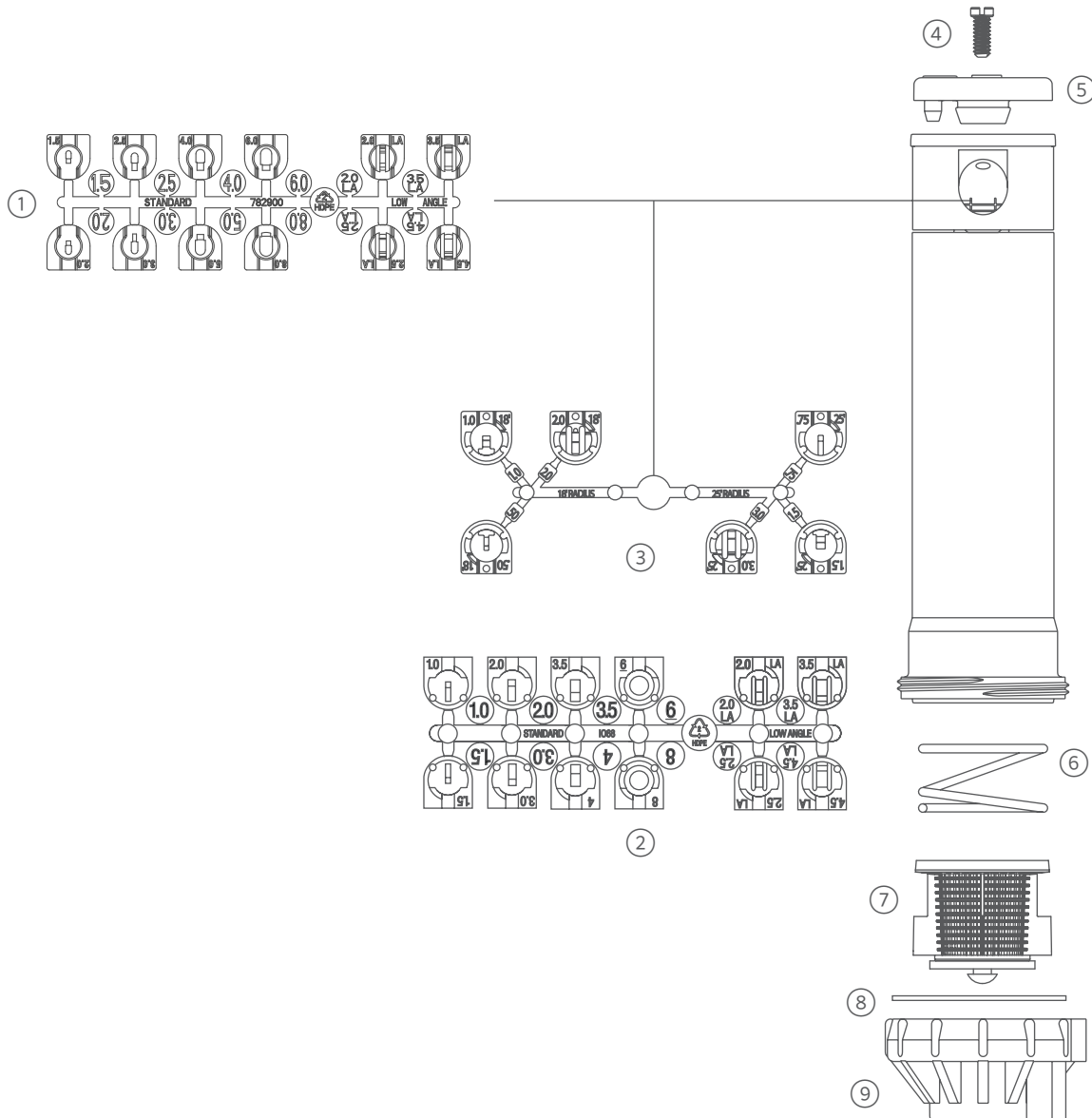
**PGP-04-PRB ULTRA: GEAR-DRIVEN ROTOR**

ITEM	DESCRIPTION	CATALOG NO.	
1	Standard (8) and Low-Angle (4) Nozzle Set, Blue and Gray	782900SP	
2	Short-Radius Nozzle Set (6), Black	466100SP	
3	Nozzle Retainer Screw - Headed with Slot	180900	
4	Rubber Cover Assembly	Black	183600SP
		Purple	183605SP
5	Filter Screen - Standard Model	102600	
6	Check Valve Screen Assembly	142300SP	
7	Body Cap	103700SP	
8	Slip Washer - PGP-12-CV Only	296100	
9	Riser Seal	N/A	
10	Spring Seat	189900SP	
11	Body with Pressure Regulator	4" (10 cm)	N/A



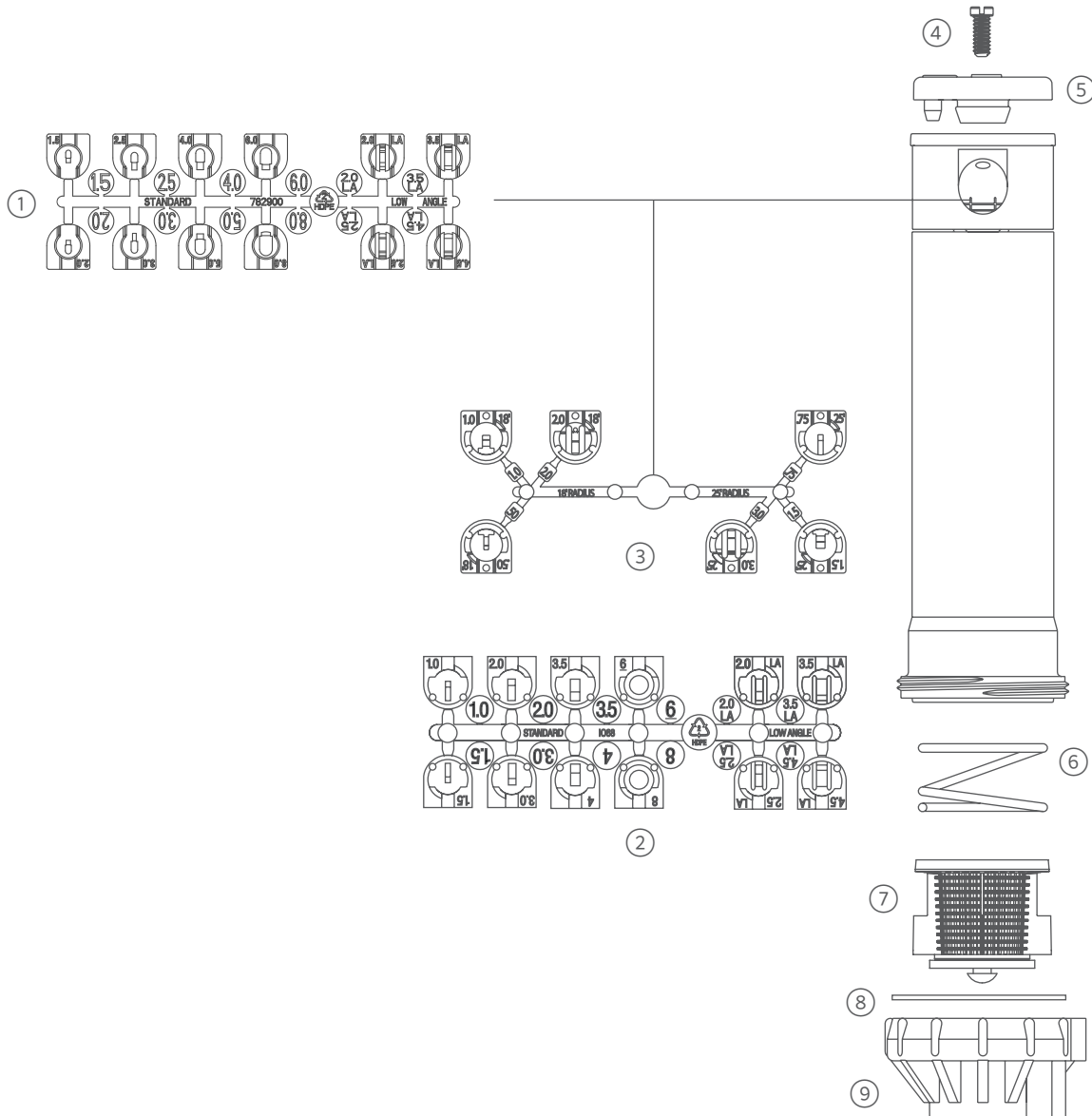
**I-20-00: GEAR-DRIVEN ROTOR**

ITEM	DESCRIPTION	CATALOG NO.	
1	Standard (8) and Low-Angle (4) Nozzle Set, Blue and Gray	782900SP	
2	Standard (8) and Low-Angle (4) Nozzle Set, Navy Blue and Gray	356605SP	
3	Short-Radius Nozzle Set (6), Black	466100SP	
4	Nozzle Retainer Screw	180900	
5	Rubber Cover Assembly	Black	352476SP
		Purple	352478SP
6	Check Valve Spring	235000	
7	Check Valve Screen Assembly	142300SP	
8	O-Ring	170600	
9	Shrub Head Base - Check Valve Model	234900	



**I-20-00-PRB: GEAR-DRIVEN ROTOR**

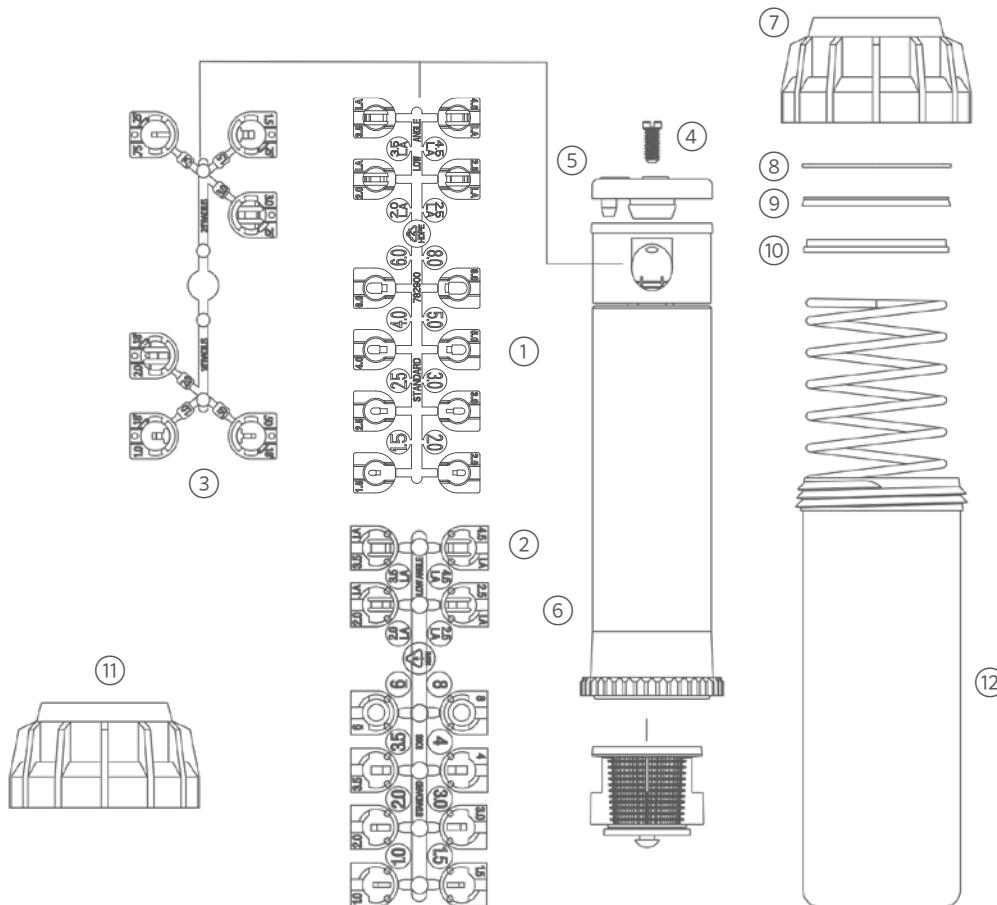
ITEM	DESCRIPTION	CATALOG NO.	
1	Standard (8) and Low-Angle (4) Nozzle Set, Blue and Gray	782900SP	
2	Standard (8) and Low-Angle (4) Nozzle Set, Navy Blue and Gray	356605SP	
3	Short-Radius Nozzle Set (6), Black	466100SP	
4	Nozzle Retainer Screw	180900	
5	Rubber Cover Assembly	Black	352476SP
		Purple	352478SP
6	Check Valve Spring	235000	
7	Check Valve Screen Assembly	142300SP	
8	O-Ring	170600	
9	Shrub Head Base with Pressure Regulator	N/A	



# ROTORS

## I-20-04, I-20-06, I-20-12: GEAR-DRIVEN ROTOR

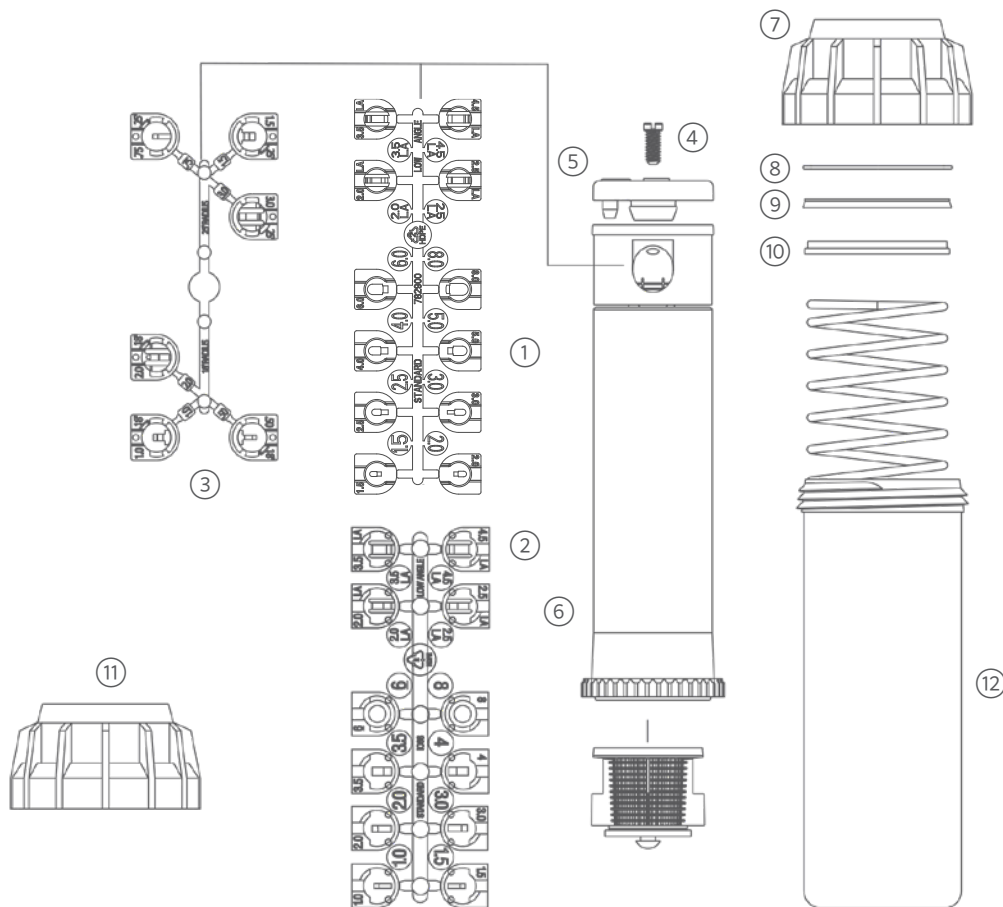
ITEM	DESCRIPTION	CATALOG NO.	
1	Standard (8) and Low-Angle (4) Nozzle Set, Blue and Gray	782900SP	
2	Standard (8) and Low-Angle (4) Nozzle Set, Navy Blue and Gray	356605SP	
3	Short-Radius (6) Nozzle Set, Black	466100SP	
4	Nozzle Retainer Screw	180900	
5	Rubber Cover Assembly	Black	352476SP
		Purple	352478SP
6	Filter Screen with Check Valve Assembly	142300SP	
7	Body Cap	356000	
8	Slip Washer	I-20-04/I-20-06	102300
		I-20-12 Only	296100
9	Riser Seal	I-20-04	252500SP
		I-20-06	252500SP
		I-20-12	181500SP
10	Spring Seat	I-20-04	227800
		I-20-06	227800
		I-20-12	189900SP
11	I-20 Shutoff Cap Assembly	296000	
12	Body	4" (10 cm)	229200
		6" (15 cm)	434700
		12" (30 cm)	404200





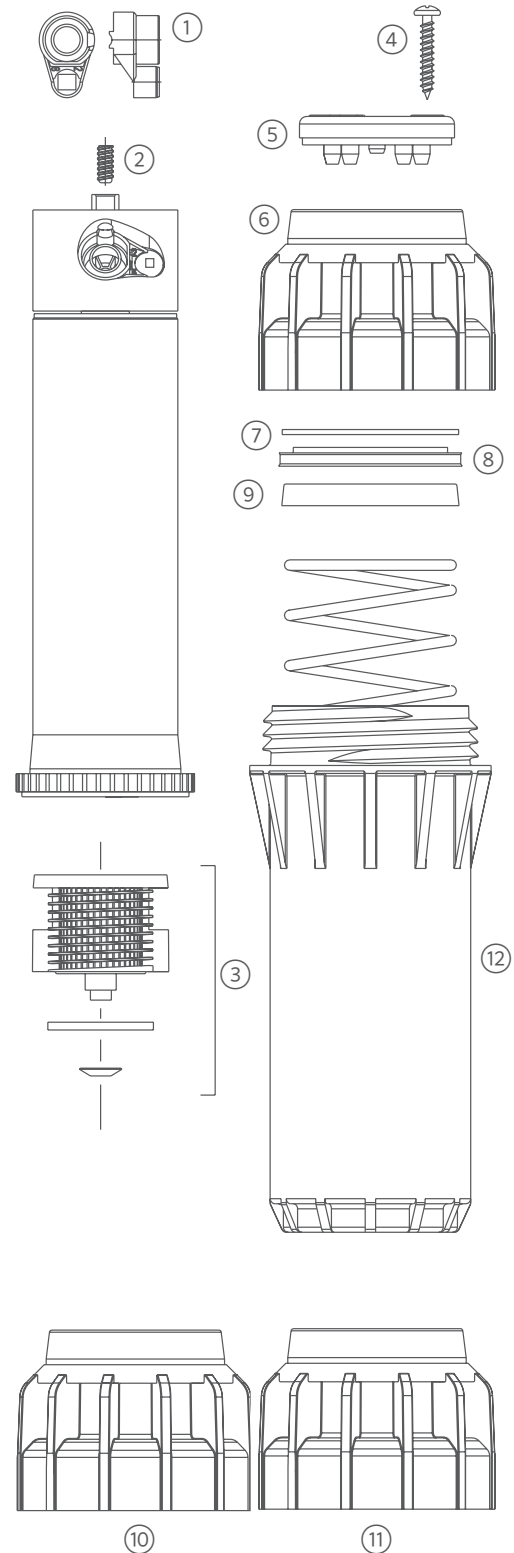
**I-20-04-PRB, I-20-06-PRB: GEAR-DRIVEN ROTOR**

ITEM	DESCRIPTION	CATALOG NO.	
1	Standard (8) and Low-Angle (4) Nozzle Set, Blue and Gray	782900SP	
2	Standard (8) and Low-Angle (4) Nozzle Set, Navy Blue and Gray	356605SP	
3	Short-Radius (6) Nozzle Set, Black	466100SP	
4	Nozzle Retainer Screw	180900	
5	Rubber Cover Assembly	Black	352476SP
		Purple	352478SP
6	Filter Screen with Check Valve Assembly	142300SP	
7	Body Cap	356000	
8	Slip Washer	I-20-04/I-20-06	102300
9	Riser Seal	I-20-04	252500SP
		I-20-06	252500SP
10	Spring Seat	I-20-04	227800
		I-20-06	227800
11	I-20 Shutoff Cap Assembly	296000	
12	Body	4" (10 cm)	N/A
		6" (15 cm)	N/A



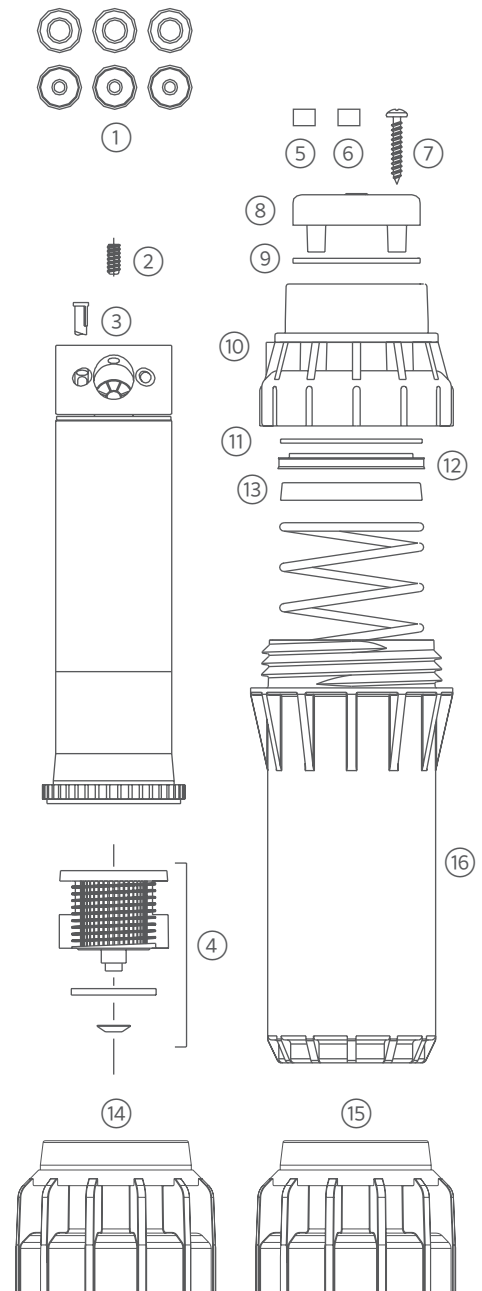
**I-25-04, I-25-06: GEAR-DRIVEN ROTOR**

ITEM	DESCRIPTION	CATALOG NO.	
1	Nozzle Pack (1 each 7, 10, 15, 20, 25)	460010SP	
	4 - Yellow	463401SP	
	7 - Orange	463403SP	
	8 - Lt. Brown	463404SP	
	10 - Lt. Green	463405SP	
	13 - Lt. Blue	463406SP	
	15 - Gray	463407SP	
	18 - Red	463408SP	
	20 - Dk. Brown	463409SP	
	23 - Dk. Green	463410SP	
	25 - Dk. Blue	463411SP	
	28 - Black	463412SP	
2	Nozzle Retainer Screw	333900	
3	Filter Screen/Check Valve Assembly, White	303700SP	
4	Rubber Cover Screw (2 Required)	334000	
	Black	344605	
5	Rubber Cover Assembly (Logo Base and Rubber Cover) Before 12/01/2013	Black SS	344635
		Purple	344615
		Purple SS	344640
		Brown SS	344625
		Black	831000
5	Rubber Cover Assembly (Logo Base and Rubber Cover) After 12/01/2013	Black SS	831003
		Purple	831001
		Purple SS	831004
		Brown SS	831002
		Black	831000
6	Body Cap Assembly (Before 12/02/2013 )	341500	
	Body Cap Assembly (After 12/02/2013)	828500	
7	Riser Seal Slip Washer Gray (After 12/02/2013)	827600	
8	Riser Seal Black (Before 12/02/2013)	221200	
		White (After 12/02/2013)	827500
9	Spring Seat Gray (After 12/02/2013)	827800	
10	I-25/I-40/I-50 Shutoff Cap	223200	
11	I-25/I-40/I-50 Blowout Cap - for 1½" (3.8 cm) PVC Pipe	336405	
		336410	
12	Body	6" (15 cm) NPT	614705
		6" (15 cm) BSP	614710
		4" (10 cm) NPT	336405
		4" (10 cm) BSP	336410



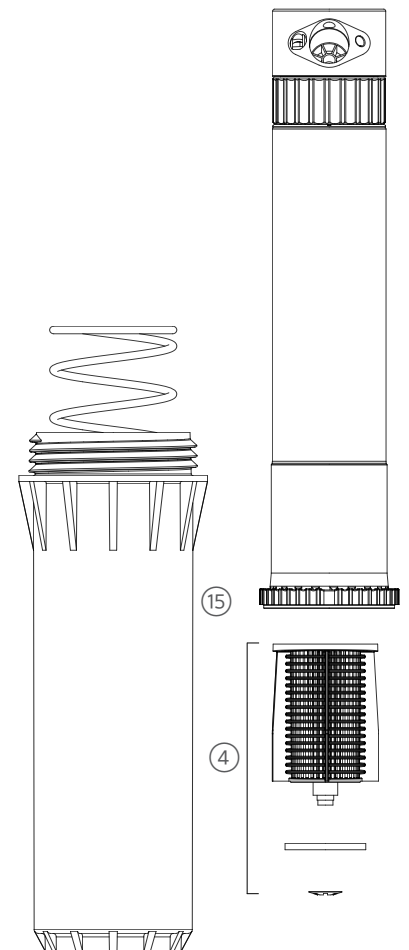
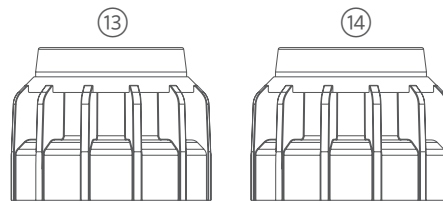
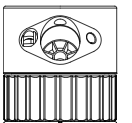
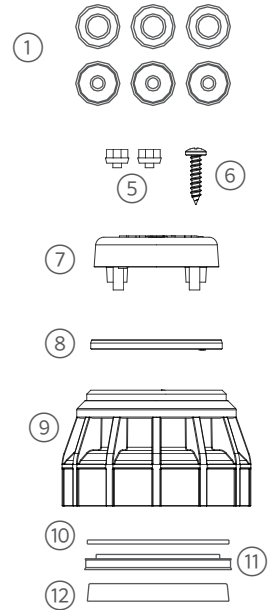
**I-40-04, I-40-06: GEAR-DRIVEN ROTOR**

ITEM	DESCRIPTION	CATALOG NO.
1	Adjustable Nozzle Pack (1 each 8, 10, 13, 15, 23, 25)	462458SP
	8 - Lt. Brown	461144
	10 - Lt. Green	461145
	13 - Lt. Blue	461146
	15 - Gray	461147
	23 - Dk. Green	461148
	25 - Dk. Blue	462436
	Nozzles (Bag of 25)	
	Opposing Nozzle Pack (1 each 15, 18, 20, 23, 25, 28)	462459SP
2	Nozzle Retainer Screw	333900
3	Diffuser Pin	245400
4	Filter Screen/Check Valve Assembly, White	303700SP
5	Model Number Button	I-40 252705
6	Feature Designation Button	Blank 252845
		HS 252855
		ON 252850
7	Rubber Cover Screw (2 Required)	334000
8	Rubber Cover Assembly (Includes Item 9)	Black 828300
		Brown 828301
		Purple 828302
9	Rubber Cover Washer	828400
10	Body Cap Assembly	STD 828700
		ON 831400
11	Riser Seal Slip Washer	Gray After 12/02/2013 827600
12	Riser Seal	Black Before 12/02/2013 221200
		White After 12/02/2013 827500
13	Spring Seat	Gray After 12/02/2013 827800
14	I-25/I-40/I-50 Shutoff Cap	223200
15	I-25/I-40/I-50 Blowout Cap - for 1½" (3.8 cm) PVC Pipe	345400
16	Body	4" (10 cm) NPT 336405
		4" (10 cm) BSP 336410
		6" (15 cm) NPT 614705
		6" (15 cm) BSP 614710



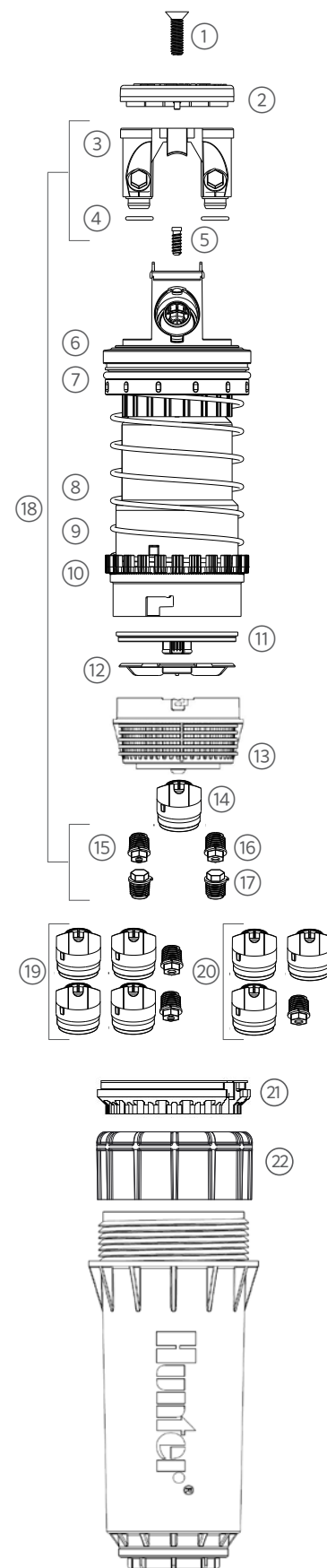
**I-50-06: GEAR-DRIVEN ROTOR**

ITEM	DESCRIPTION	CATALOG NO.	
1	Adjustable Nozzle Pack (1 each 8, 10, 13, 15, 23, 25)	462458SP	
	8 - Lt. Brown	461144	
	10 - Lt. Green	461145	
	13 - Lt. Blue	461146	
	15 - Gray	461147	
	23 - Dk. Green	461148	
	25 - Dk. Blue	462436	
	Opposing Nozzle Pack (1 each 15, 18, 20, 23, 25, 28)	462459SP	
2	Nozzle Retainer Screw	333900	
3	Diffuser Pin	245400	
4	Filter Screen/Check Valve Assembly, Gray	993900	
5	Screw Cover Button	Blank ON	252845 252850
6	Rubber Cover Screw (2 Required)	334000	
7	Rubber Cover Assembly (Includes Item 8)	Black Purple	996900 996901
8	Rubber Cover Washer	253000	
9	Body Cap Assembly	STD ON	828700 831400
10	Riser Seal Slip Washer	Gray	827600
11	Riser Seal	White	827500
12	Spring Seat	Gray	827800
13	I-25/I-40/I-50 Shutoff Cap	223200	
14	I-25/I-40/I-50 Blowout Cap - for 1½" (3.8 cm) PVC Pipe	345400	
15	Body	6" (15 cm) NPT 6" (15 cm) BSP	614705 614710



**I-80: GEAR-DRIVEN ROTOR**

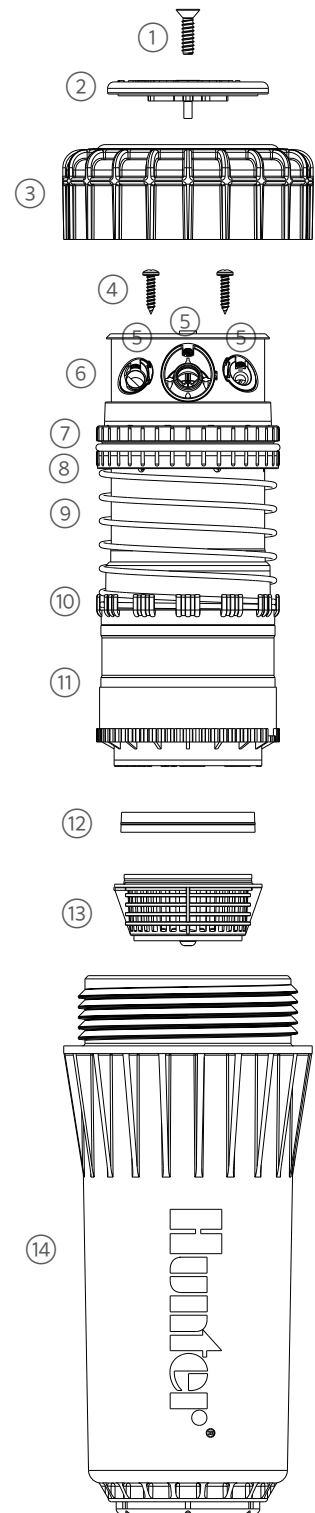
ITEM	DESCRIPTION	CATALOG NO.	
1	Screw - Logo Cap Retainer	189755	
2	Rubber Logo Cap Assembly, Black	255300	
3	Yoke - Secondary Nozzle Housing	254500	
4	O-Ring - Yoke Seal (2 Used)	252104	
5	Screw - Primary Nozzle Retainer	180900	
6	Seal Block Assembly with O-Ring	517100	
7	O-Ring - Seal Block	549400	
8	Spring - Riser Retraction	553700	
9	Face Seal	256500	
10	Ratchet Ring/Spring Seat	255000	
11	Stator Base (For Plate 14)	256600	
12	Plate - Stator Adjustment, Nozzles 23-53	266500	
13	Screen/Check Valve - Riser Inlet	271900	
14	Primary Nozzles, Each	23 - Green	272101
		25 - Blue	272102
		33 - Gray	272103
		38 - Red	272104
		43 - Dk. Brown	272105
		48 - Dk. Green	272106
15	Short-Range Nozzles, Each	STD - Orange - Nozzles	803603
		ON - Tan - Nozzles	803611
16	Mid-Range Nozzles, Each	STD - Lt. Green - Nozzles	315313
		ON - Lt. Blue - Nozzles	315311
17	Plug - Nozzle, Black	315300	
18	Yoke Assembly - Includes Items 3, 4, 15, 16, and 17	STD - For Primary Nozzles 23 - 53	863502
		ON - For Primary Nozzles 25 - 53	863506
19	Nozzle Pack, 23 - 38	STD - Primary Nozzles 23 - 38, One Lt. Green Mid-Range Nozzle, One Orange Short-Range Nozzle	460024
		ON - Primary Nozzles 23 - 38, One Lt. Blue Mid-Range Nozzle, One Tan Short-Range Nozzle	460055
20	Nozzle Pack, 43 - 53	STD - Primary Nozzles 43 - 53, One Lt. Green Mid-Range Nozzle, One Orange Short-Range Nozzle	460025
		ON - Primary Nozzles 43 - 53, One Lt. Blue Mid-Range Nozzle, One Tan Short-Range Nozzle	460056
21	Snap Ring Assembly	Black	450100
		Purple	450105
22	Body Cap	943900	



## I-90: GEAR-DRIVEN ROTOR

ITEM	DESCRIPTION	CATALOG NO.
1	Rubber Cover Screw (1 Required)	351800SP
	ADV, Black	529000
	36V, Black	528900
2	Rubber Cover Assembly	ARV, Purple
	3RV, Purple	529005
3	Body Cap Assembly	525000
4	Retainer Cap Screws (2 Required)	334000
5	Nozzle Retainer Screw (5 Required)	333900
6	Retainer Cap (6/11 and After) - All	197200
7	Seal Block*	171710*
8	O-Ring Seal*	171600*
9	Retraction Spring*	171900*
10	Face Seal, Black*	406000*
11	Bumper, Gray*	171800*
12	Stator Adjustment Plate	052833
13	Screen Assembly	525200
14	Body	NPT - Gray
	BSP - Black	525105SP

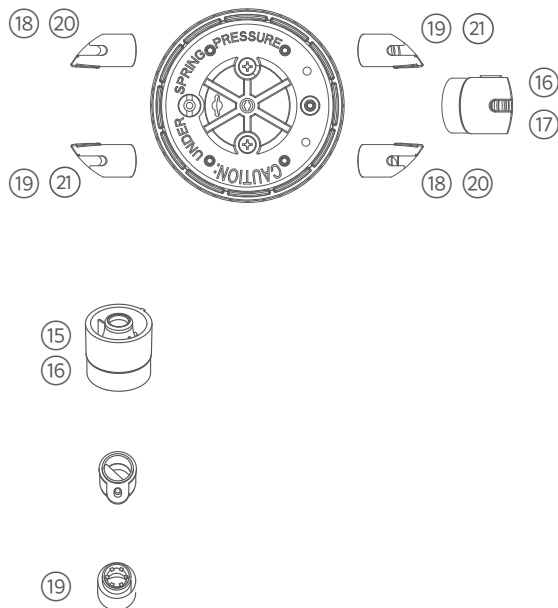
\*Parts 7-11 are required for the new I-90 Seal Replacement Kit



**I-90: GEAR-DRIVEN ROTOR (CONT. FROM PAGE 15)**

ITEM	DESCRIPTION	CATALOG NO.
15	Nozzle Pack (1 each 25, 33, 38, 43, 48, 53, 63, 73)	461204SP
	25 - Lt. Blue	460011
	33 - Gray	464363
	38 - Red	464364
16	Primary Nozzles (Sold in Increments of 10)	43 - Dk. Brown 464365
	48 - Dk. Green 464366	
	53 - Dk. Blue 464367	
	63 - Black 464368	
	73 - Orange 460012	
18	Short-Range Nozzle - All (5/11 and Prior) (Left, Black) (Sold in Increments of 10)	439100
19	Short-Range Nozzle - All (6/11 and After) (Left, Red) (Sold in Increments of 10)	191800
	Mid-Range Nozzle (5/11 and Prior) (Sold in Increments of 10)	Right, Green ADV, ARV 439000
20		Right, Blue 36V, 3RV 455400
	Mid-Range Nozzle (6/11 and After) (Sold in Increments of 10)	Right, Green ADV, ARV 195701
		Right, Blue 36V, 3RV 195704
21	Nozzle Plug - All (6/11 and After) (Left, Black) (Sold in Increments of 10)	195803SP
	Nozzle Plug - All (6/11 and After) (Right, Black) (Sold in Increments of 10)	195703SP

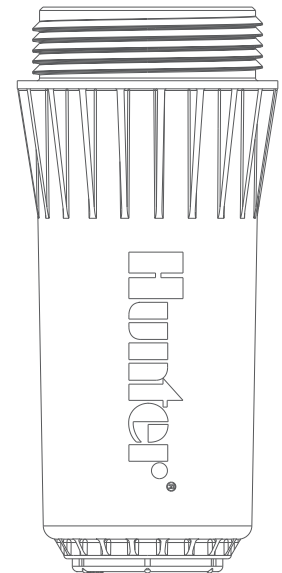
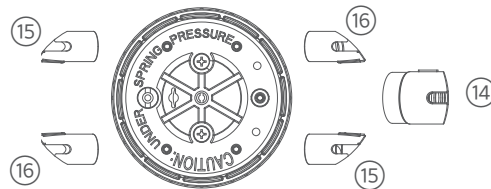
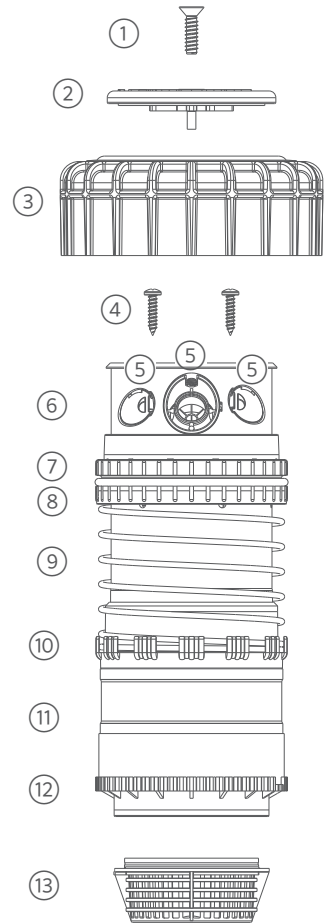
(Please refer to the illustration on page 15)



**ST-90: GEAR-DRIVEN ROTOR**

ITEM	DESCRIPTION	CATALOG NO.
1	Rubber Cover Screw (1 Required)	351800SP
2	Rubber Cover Assembly, Green	208900SP
3	Body Cap Assembly	525000
4	Retainer Cap Screws (2 Required)	334000
5	Nozzle Retainer Screw (5 Required)	333900
6	Retainer Cap - All	197200SP
7	Seal Block*	171710*
8	O-Ring Seal*	171600*
9	Retraction Spring*	171900*
10	Face Seal, - Black*	406000*
11	Bumper, Gray*	171800*
12	Riser Assembly (Includes Items 4 - 13)	517800
13	Screen Assembly	524600SP
14	Primary Nozzles (Sold in Increments of 10)	73 - Orange 460012 83 - Tan 464369SP
16	Nozzle Plug (Left, Green) (Sold in Increments of 10)	195802
17	Nozzle Plug (Right, Green) (Sold in Increments of 10)	195702

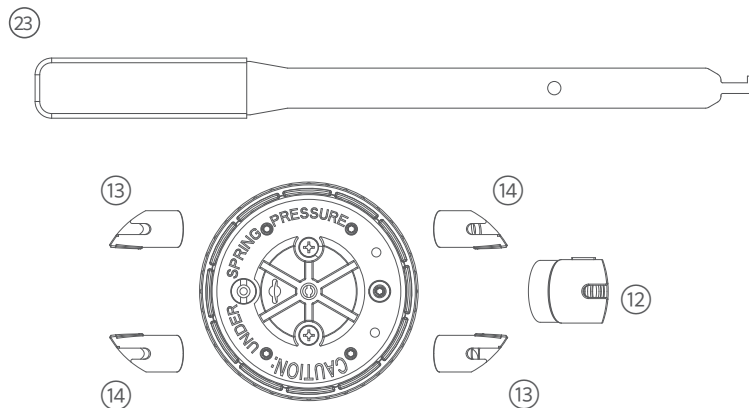
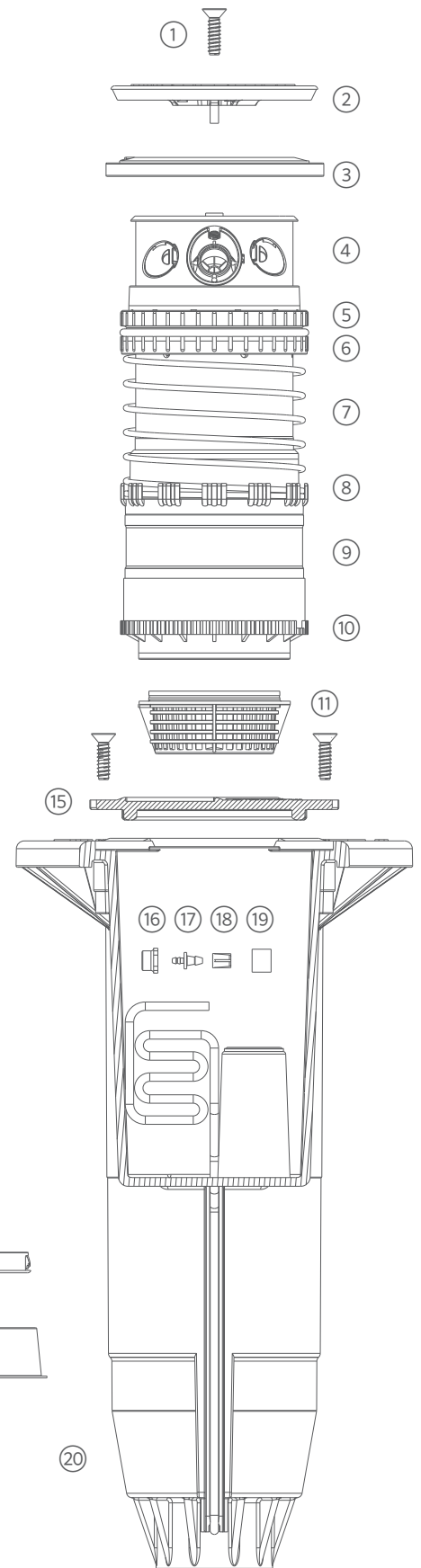
\*Parts 7-11 are required for the new I-90 Seal Replacement Kit





**STG-900: GEAR-DRIVEN ROTOR**

ITEM	DESCRIPTION	CATALOG NO.
1	Screw - Logo Cap Retainer	351800SP
2	Rubber Logo Cap, Green	242505SP
3	Snap Ring Assembly, Black	430700
4	Screw - Nozzle Retainer (5 Used)	333900
5	Seal Block	171700
6	O-Ring - Seal	171600
7	Spring - Riser Retraction	171900
8	Face Seal, Black	406000
9	Bumper, Gray	171800
10	Riser Assembly - (Includes Items 4-11)	517900
11	Screen - Riser Inlet	524600
12	Primary Nozzles (Sold in Increments of 10)	73 - Orange 460012 83 - Tan 464369
13	Nozzle Plug (Left, Green) (Sold in Increments of 10)	195802
14	Nozzle Plug (Right, Green) (Sold in Increments of 10)	195702
15	Lid - Flange Compartment	493605
16	Tube Retainer - 1/8" (3 mm) Tubing	476000
17	Connector - 1/4" x 1/8" (6 mm x 3 mm) Tubing	402100
18	Tube Plug - 1/4" (6 mm) Tubing	052608
19	Tube Retainer - 1/4" (6 mm) Tubing	052610
20	Body Assembly, STG-900 (Includes Items 16-22)	521000
21	Cap, Protective - Solenoid Wire Hole	643900
22	Cap, Protective	456800
23	Snap Ring Tool	251000SP

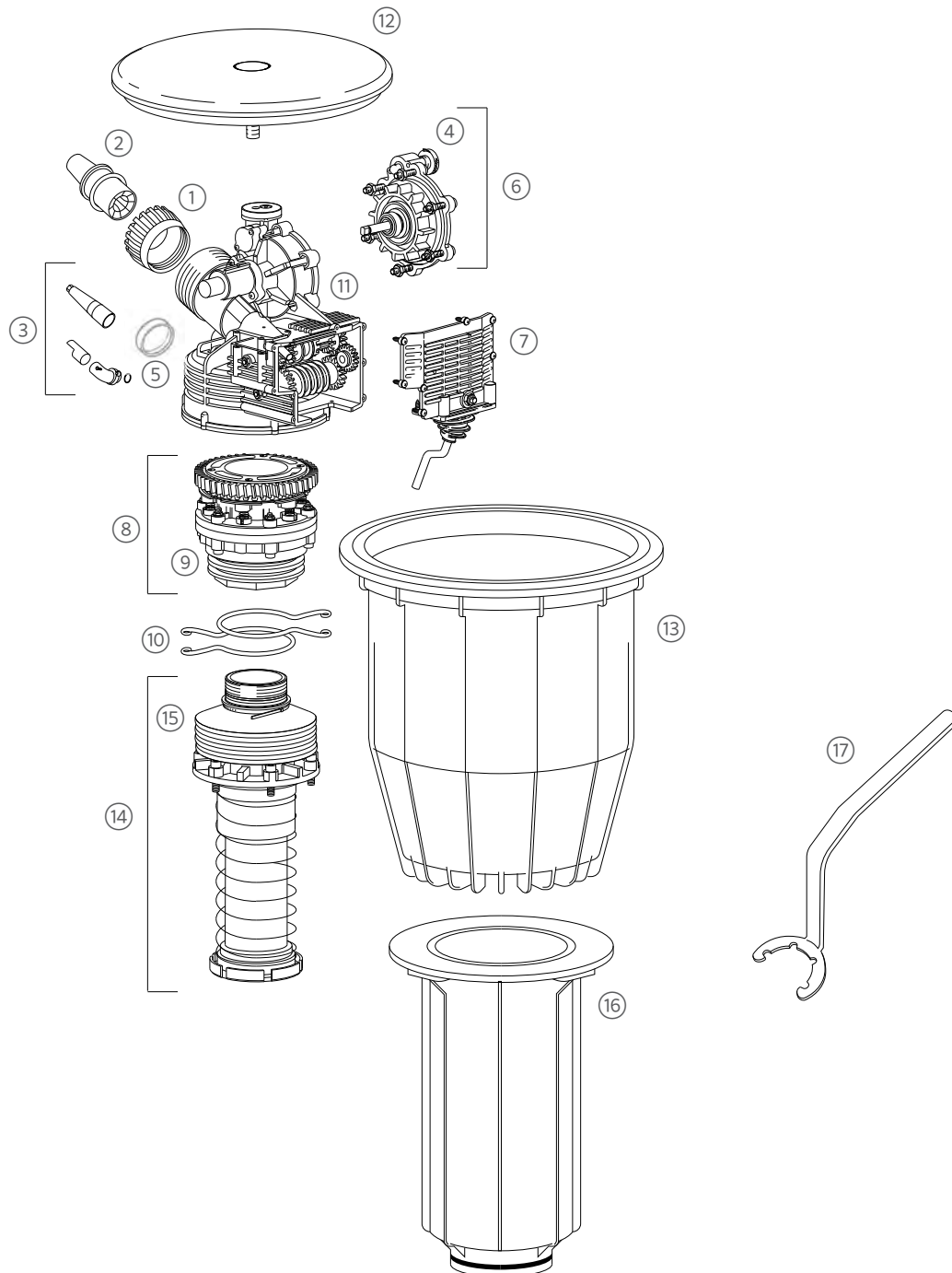


**ST-1600-HSB: POP-UP & GEAR DRIVE**

ITEM	DESCRIPTION	CATALOG NO.
1	Primary Nozzle Retainer	502402SP
	16	784800SP
	18	784801SP
2	Primary Nozzle Kit	20 784802SP
	22	784803SP
	24	784804SP
	26	784805SP
3	Secondary Nozzle Kit	Female-Threaded Nozzle with Elbow 10005900SP
		Male-Threaded Nozzle 10006100SP
4	Speed Control Knob	510101SP
5	Gearbox Cover	502455
6	Turbine Assembly Kit	10006200SP
7	Reversing Kit	510164SP
8	Turret Inlet Kit	510167SP
9	Threaded Rotor Inlet	893600SP
10	Arc Rings (2)	205617SP
11	Gear Drive Assembly	881900SP
12	Rotor Cover Kit	204205SP
13	Upper Body Kit	502432SP
14	Riser Assembly	502432SP
15	Rubber Boot	502423
16	Lower Body Kit	502442SP
17	Gear-Drive Removal/Installation Tool	517600SP

*Illustration on next page*

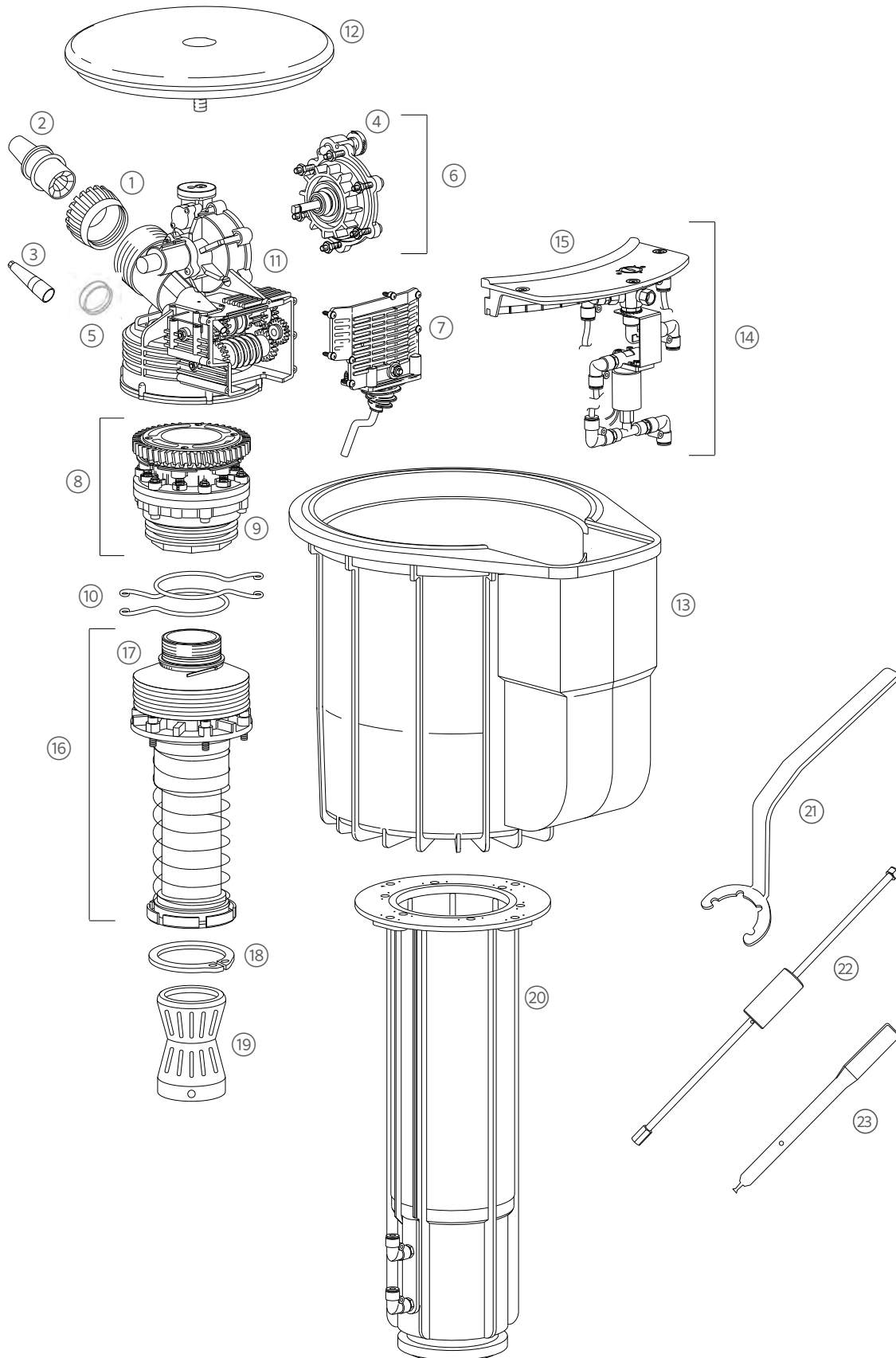
## ST-1600-HSB: POP-UP &amp; GEAR DRIVE



**ST-1700V: VALVE-IN-HEAD POP-UP & GEAR DRIVE - INTERNATIONAL USE ONLY**

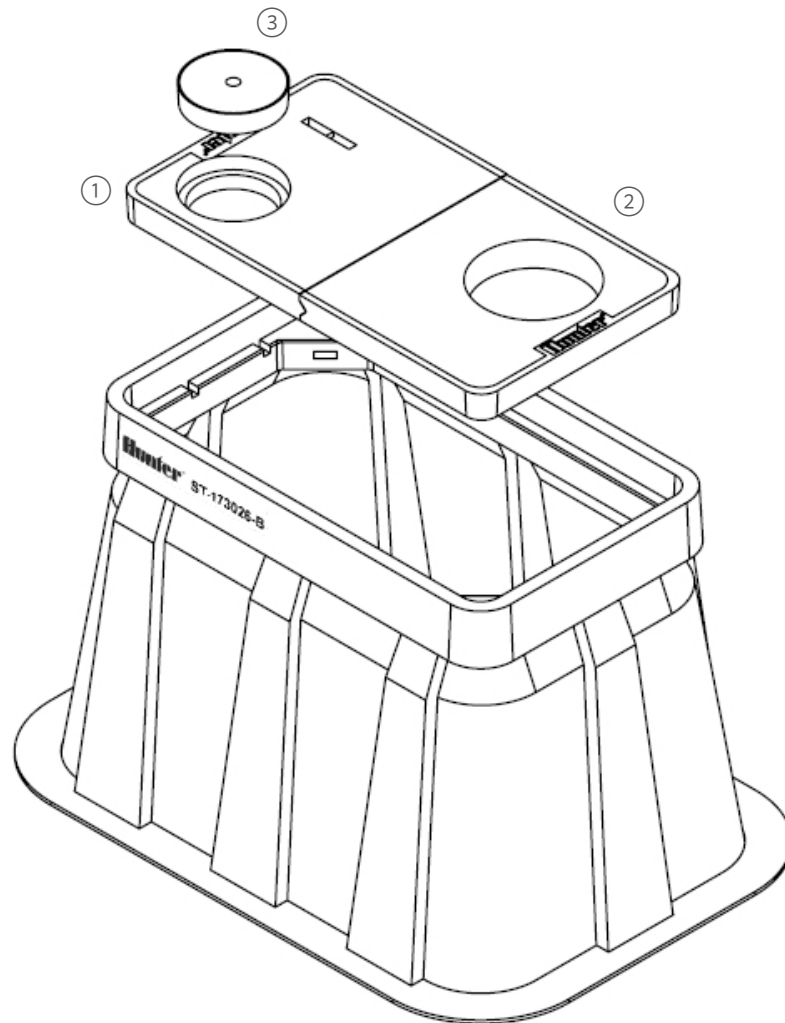
ITEM	DESCRIPTION	CATALOG NO.
1	Primary Nozzle Retainer	502402SP
	16	784800SP
	18	784801SP
2	Primary Nozzle Kit	20 784802SP
	22	784803SP
	24	784804SP
3	Secondary Nozzle Kit	10006100SP
4	Speed Control Knob	510101SP
5	Gearbox Cover	502455
6	Turbine Assembly Kit	10006200SP
7	Reversing Kit	510164SP
8	Turret Inlet Kit	510167SP
9	Threaded Rotor Inlet	893600SP
10	Arc Rings (2)	205617SP
11	Gear Drive Assembly	881900SP
12	Rotor Cover Kit	204205SP
13	Upper Body Kit	10006300SP
14	Solenoid Actuator Kit	10006400SP
15	Actuator Cover	10006500SP
16	Riser Assembly	502436SP
17	Rubber Boot	502423
18	Snap Ring	10006600SP
19	Valve-In-head	10006700SP
20	Lower Body Kit	10006800SP
21	Gear Drive Removal/Installation Tool	517600SP
22	Valve-in-Head Removal Tool	10000100SP
23	Snap Ring Removal Tool	251000SP

## ST-1700V: VALVE-IN-HEAD POP-UP &amp; GEAR DRIVE - INTERNATIONAL USE ONLY



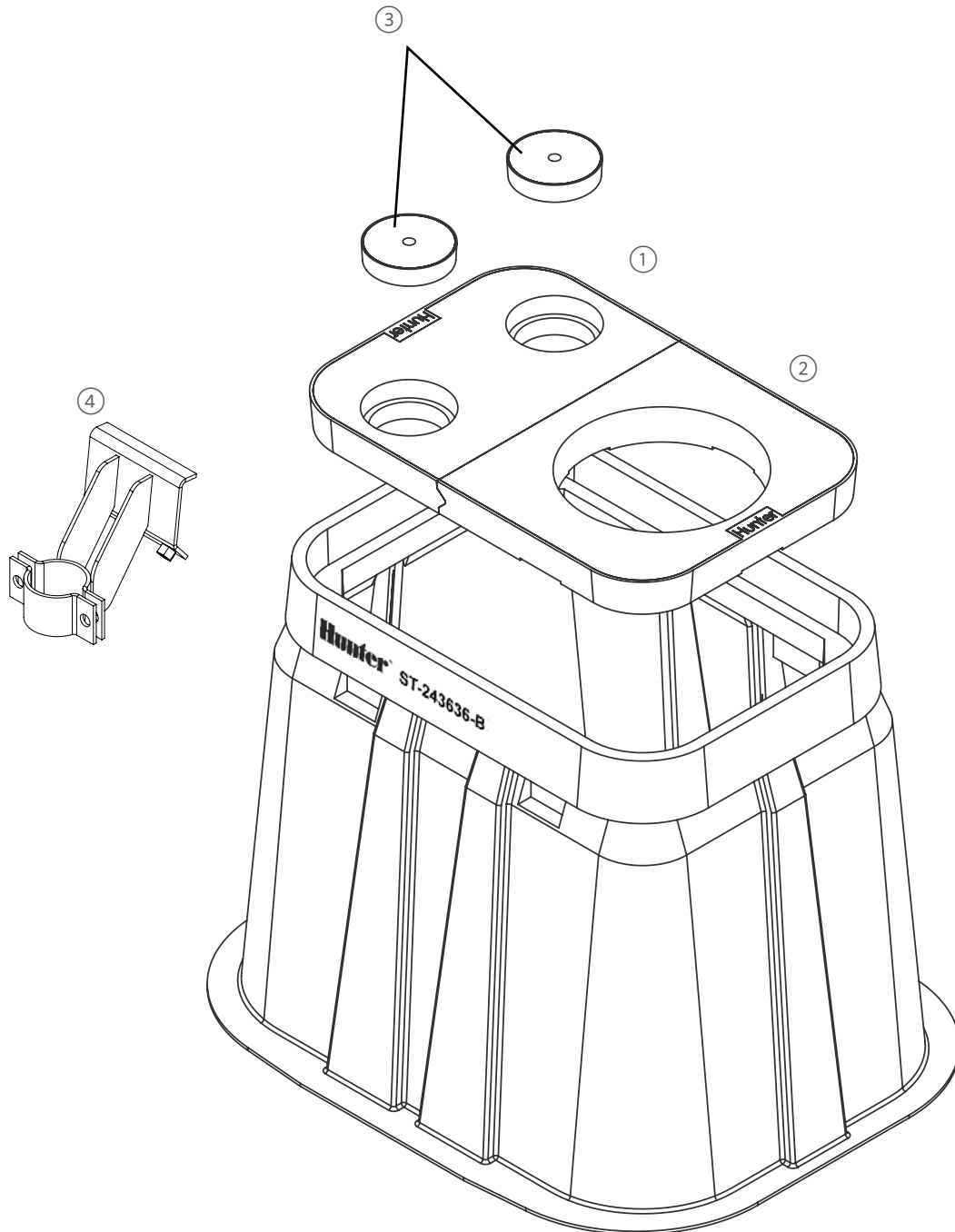
**ST-173026-B VAULT**

ITEM	DESCRIPTION	CATALOG NO.
1	Cover - Half - Circular Cover Side	953600
2	Cover - Half - Rotor Side	953800
3	Cover Circular - Small	910400



**ST-243636-B VAULT**

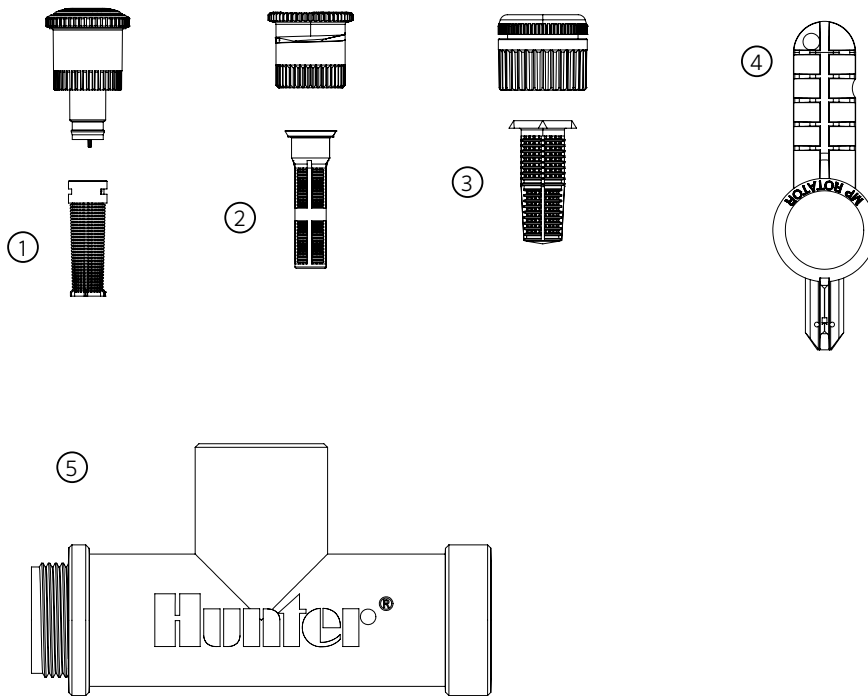
ITEM	DESCRIPTION	CATALOG NO.
1	Cover - Half - Circular Cover Side	916200
2	Cover - Half - Rotor Side	916100
3	Cover - Circular - Small	910400
4	Quick Coupler Bracket	ST-BKT-QCV



## MP ROTATOR® AND SPRAY NOZZLES

ITEM	DESCRIPTION	CATALOG NO.	
1	MP Rotator Filter Screen	Very Fine - MP800SR90	MP8SCREENSP
		Fine - MP800SR360, MP815, MP1000, MP2000, MP Strips, MPCORNER	MPFSCREENSP
		Coarse - MP3000, MP3500	MPCSCREENSP
2	Spray Nozzle Filter Screen	Fine, Gray Filter Screen	464716SP
		Coarse, Black Filter Screen	464717SP
3	Bubbler Filter Screen	207700SP	
4	MP Adjustment Tool	MPTOOL	
5	Pressure Gauge Adapter	MPADAPTERSP	
NS	Pressure Gauge with Adapter	MPGAUGE	

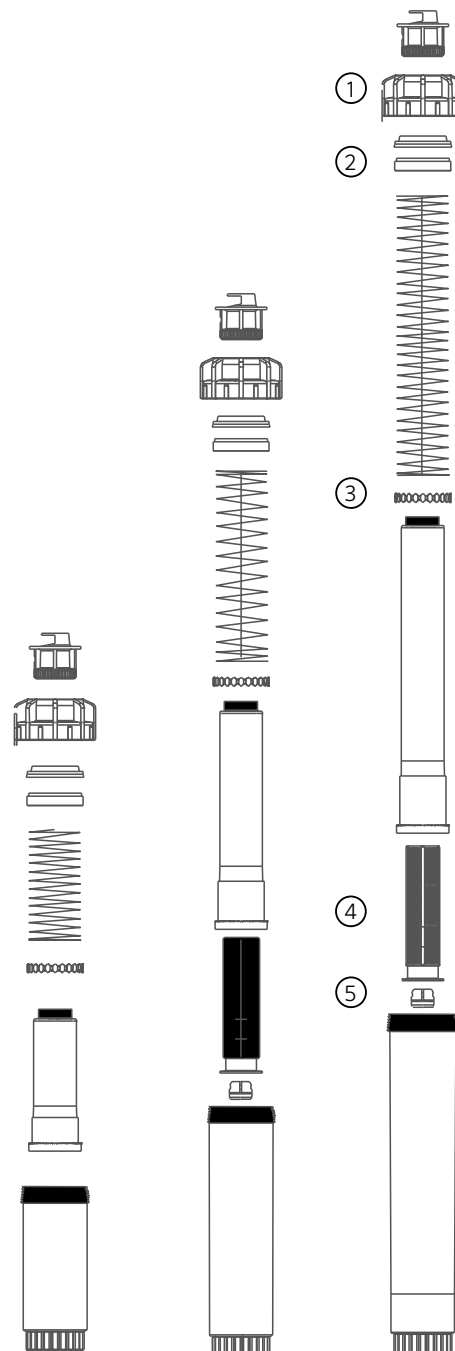
NS = Not Shown





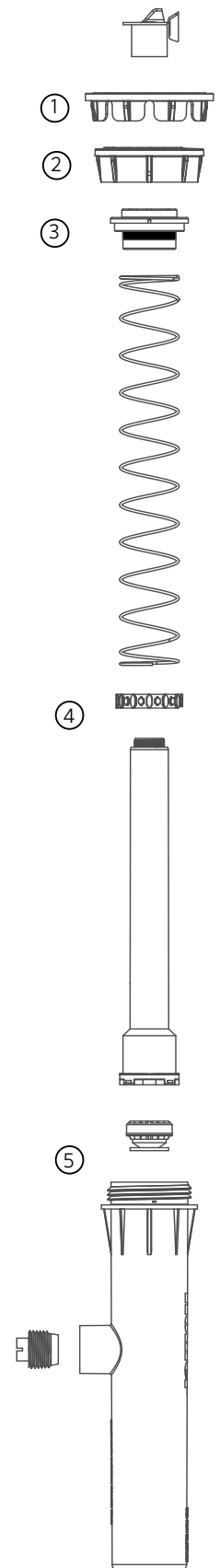
**PSU-02, -04, -06: PS ULTRA SPRAY SPRINKLER**

ITEM	DESCRIPTION	CATALOG NO.
1	Body Cap Standard, Black	162600
2	Spring Seat	181100
3	Ratchet Ring	162700
4	Filter Screen (4" (10 cm) and 6" (15 cm) Models Only)	162900SP
5	Check Valve Assembly	462237SP



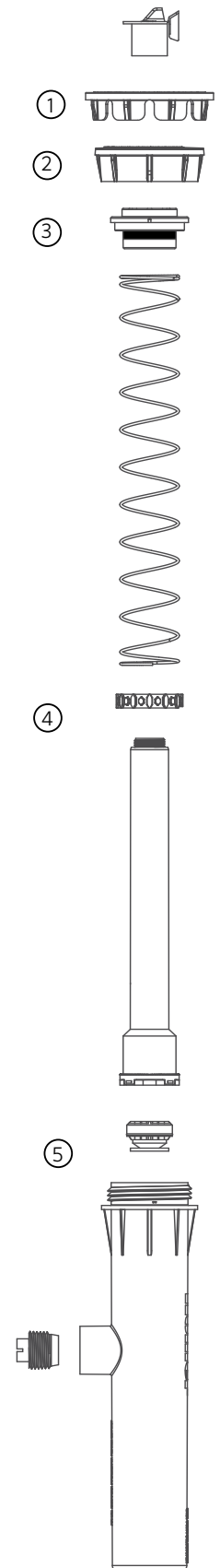
**PROS-02, -03, -04, -06, -12: PRO-SPRAY® SPRINKLER BODIES**

ITEM	DESCRIPTION	CATALOG NO.	
1	Snap-On Reclaimed Cap Purple	PROSRCCAPSP	
		Standard, Black	458500SP
		With Check Valve ID, Black	458505
2	Body Cap	Reclaimed Body Cap, Purple	458520SP
		Reclaimed with Check Valve ID, Purple	458525
		Pro-Spray Shutoff Cap	213600SP
3	Riser Seal	472300SP	
4	Ratchet Ring	629300	
5	Check Valve Assembly	437400SP	



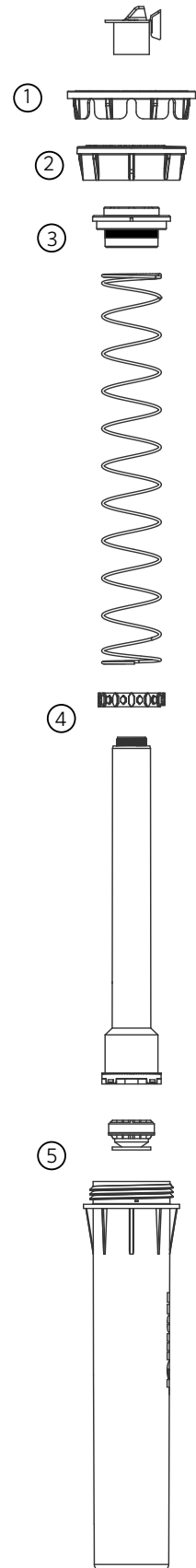
**PRS30-04, -06, -12: PRO-SPRAY PRESSURE-REGULATED SPRINKLER BODIES**

ITEM	DESCRIPTION	CATALOG NO.	
1	Snap-On Reclaimed Cap Purple	PROSRCCAPSP	
		Standard, Brown	458551
		With Check Valve ID, Brown	458554
2	Body Cap	Reclaimed Body Cap with Check Valve ID, Purple	458560
		Pro-Spray Shutoff Cap	213600SP
		Riser Seal	472300SP
4	Ratchet Ring	629300	
5	Check Valve Assembly	437400SP	



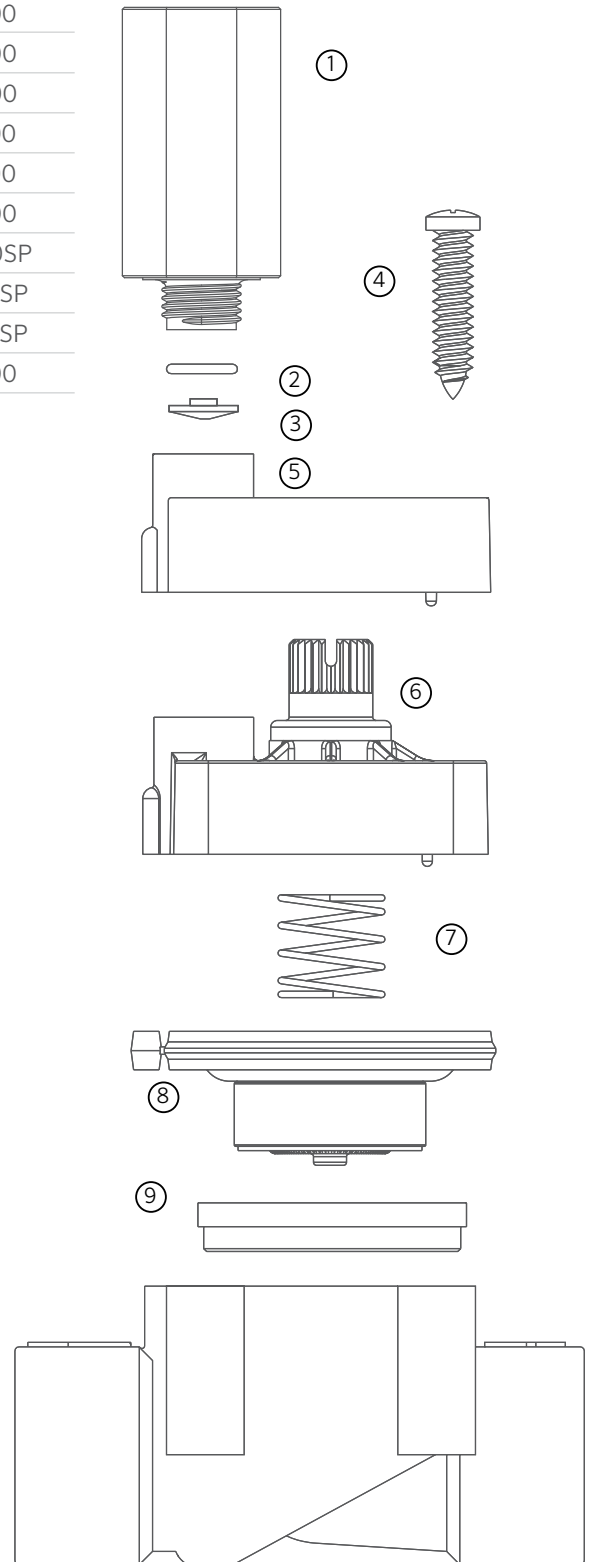
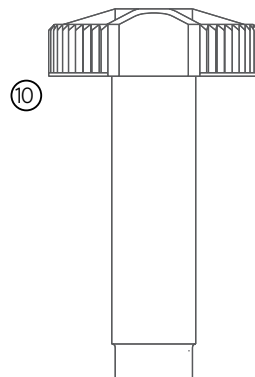
**PRS40-04, -06, -12: PRO-SPRAY PRESSURE-REGULATED SPRINKLER BODIES**

ITEM	DESCRIPTION	CATALOG NO.	
1	Snap-On Reclaimed Cap Purple	PROSRCCAPSP	
2	Body Cap	Standard with Check Valve ID, Gray	458556
		Reclaimed with Check Valve ID, Purple	458562
		Pro-Spray Shutoff Cap	213600SP
3	Riser Seal	472300SP	
4	Ratchet Ring	629300	
5	Check Valve Assembly	437400SP	



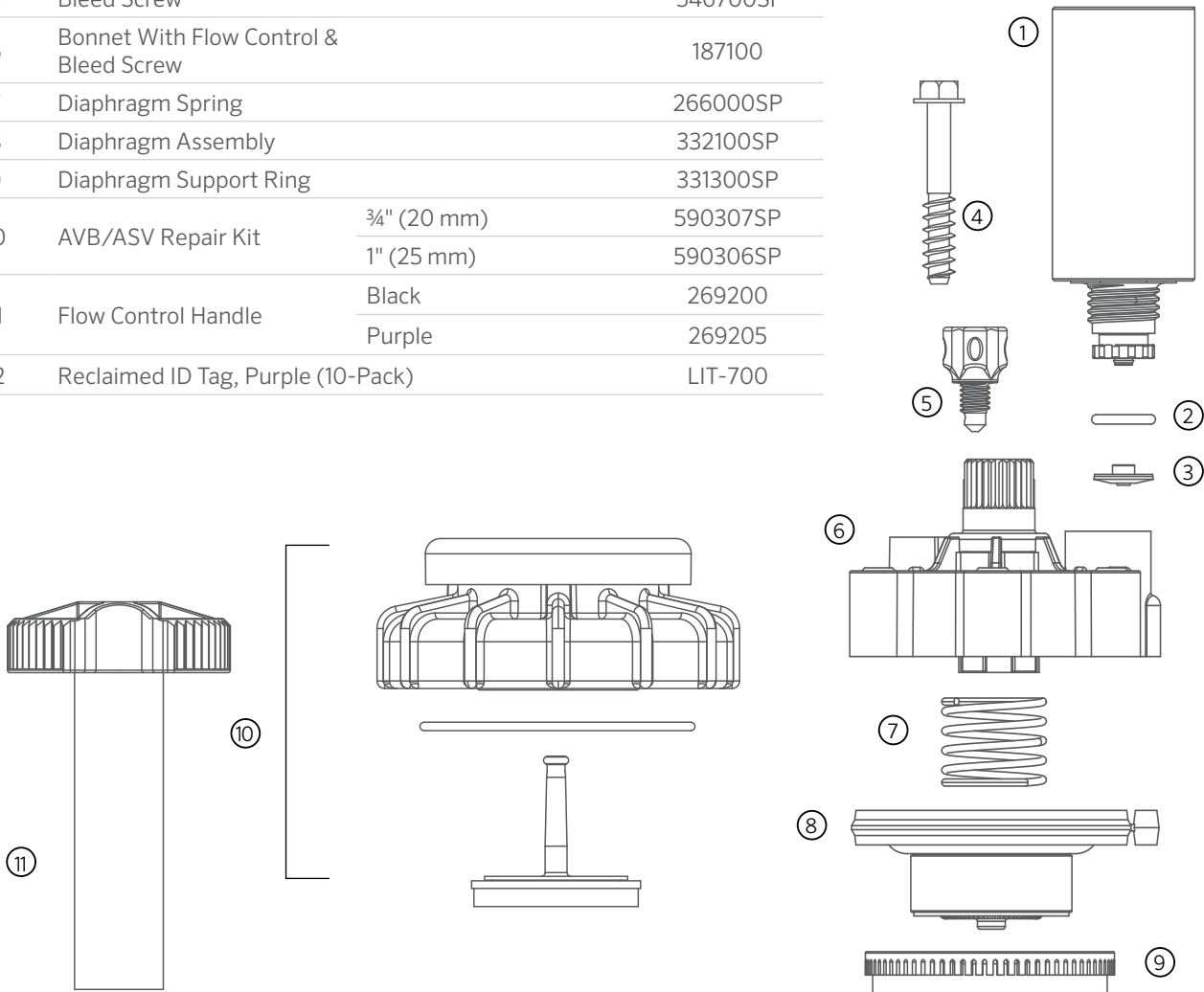
**SRV: PLASTIC VALVE**

ITEM	DESCRIPTION	CATALOG NO.
1	Solenoid Assembly	AC Solenoid 606800
	(Includes Items 2 & 3)	DC-Latching Solenoid 458200
2	O-Ring	262600
3	Solenoid Seal	364400
4	Bonnet Screw	427300
5	Bonnet Without Flow Control	556100
6	Bonnet With Flow Control	556000
7	Diaphragm Spring	266000SP
8	Diaphragm Assembly	332100SP
9	Diaphragm Support Ring	331300SP
10	Flow Control Handle, Black	269200



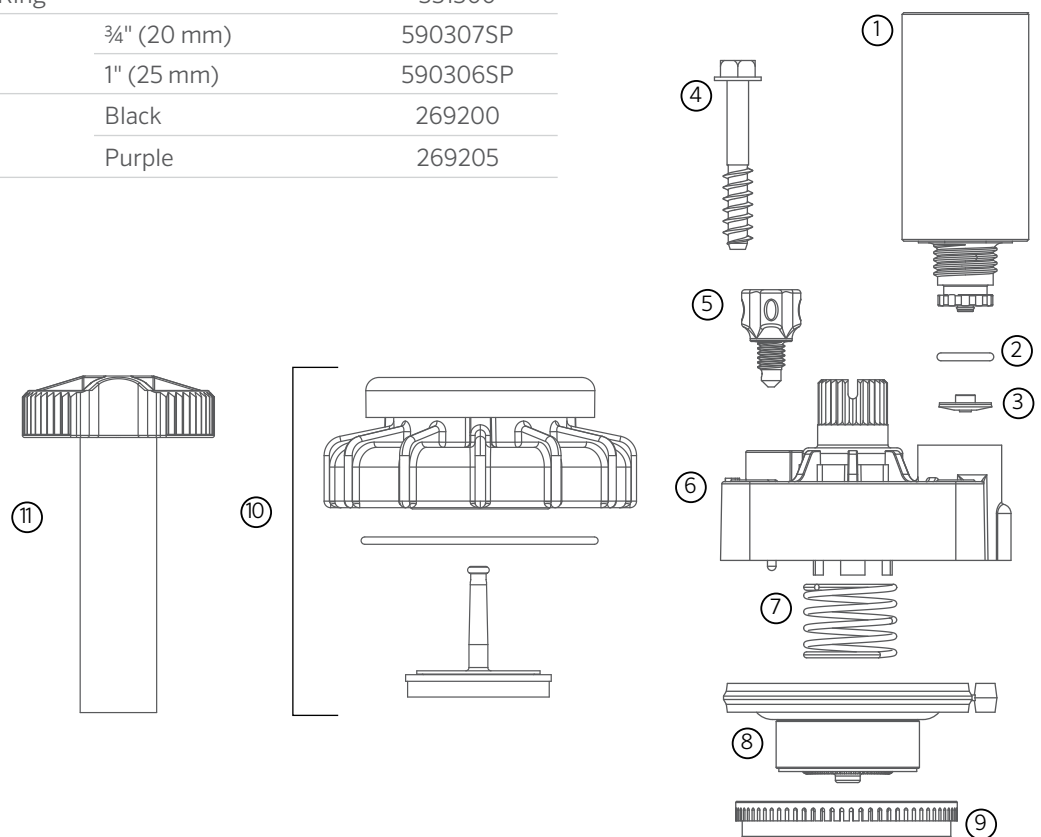
## PGV-ASV: PLASTIC VALVE, 6-BOLT BONNET DESIGN

ITEM	DESCRIPTION		CATALOG NO.
1	Solenoid Assembly (Includes Items 2 & 3)	AC Solenoid	606800
		DC-Latching Solenoid	458200
2	O-Ring		262600
3	Solenoid Seal		364400
4	Bonnet Screw		427300
5	Bleed Screw		546700SP
6	Bonnet With Flow Control & Bleed Screw		187100
7	Diaphragm Spring		266000SP
8	Diaphragm Assembly		332100SP
9	Diaphragm Support Ring		331300SP
10	AVB/ASV Repair Kit	¾" (20 mm)	590307SP
		1" (25 mm)	590306SP
11	Flow Control Handle	Black	269200
		Purple	269205
12	Reclaimed ID Tag, Purple (10-Pack)		LIT-700



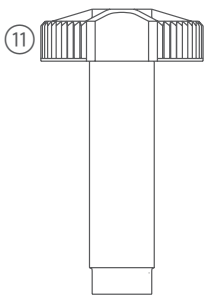
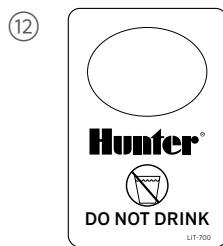
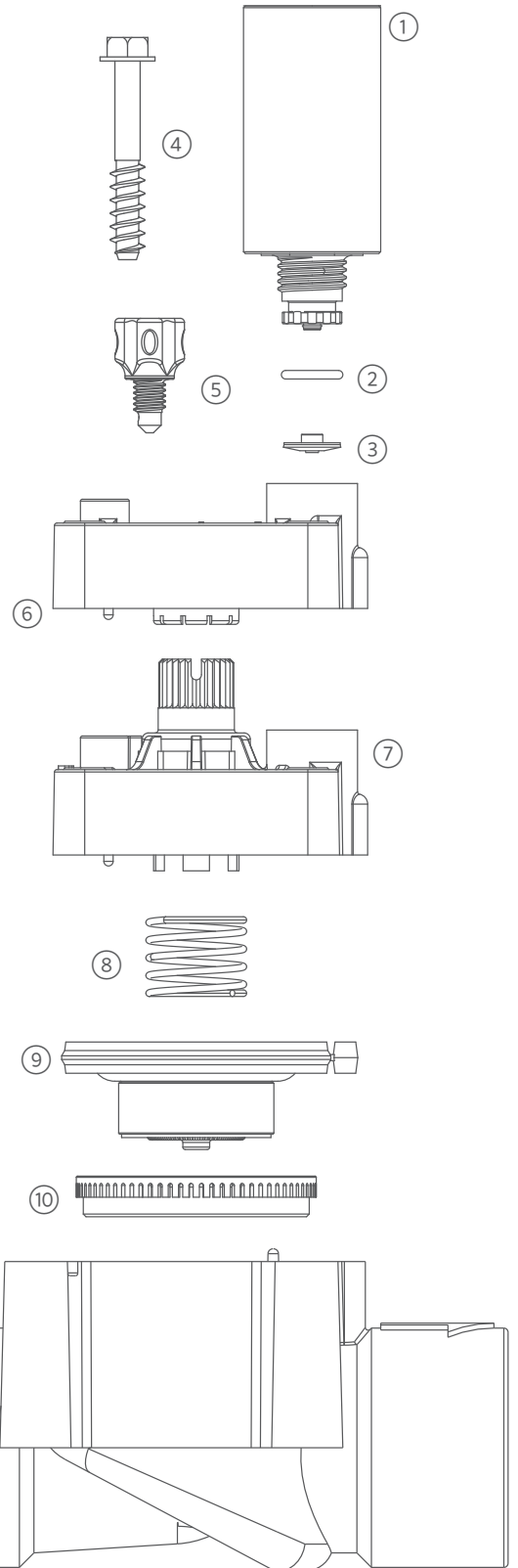
**PGV-ASV: PLASTIC VALVE, 4-BOLT BONNET DESIGN**

ITEM	DESCRIPTION		CATALOG NO.
1	Solenoid Assembly (Includes Items 2 & 3)	AC Solenoid	606800
		DC-Latching Solenoid	458200
2	O-Ring		262600
3	Solenoid Seal		364400
4	Bonnet Screw		427300
5	Bleed Screw		546700SP
6	Bonnet With Flow Control & Bleed Screw		556000
7	Diaphragm Spring		266000SP
8	Diaphragm Assembly		332100SP
9	Diaphragm Support Ring		331300
10	AVB/ASV Repair Kit	¾" (20 mm)	590307SP
		1" (25 mm)	590306SP
11	Flow Control Handle	Black	269200
		Purple	269205



## PGV-100G, PGV-101G: PLASTIC VALVE

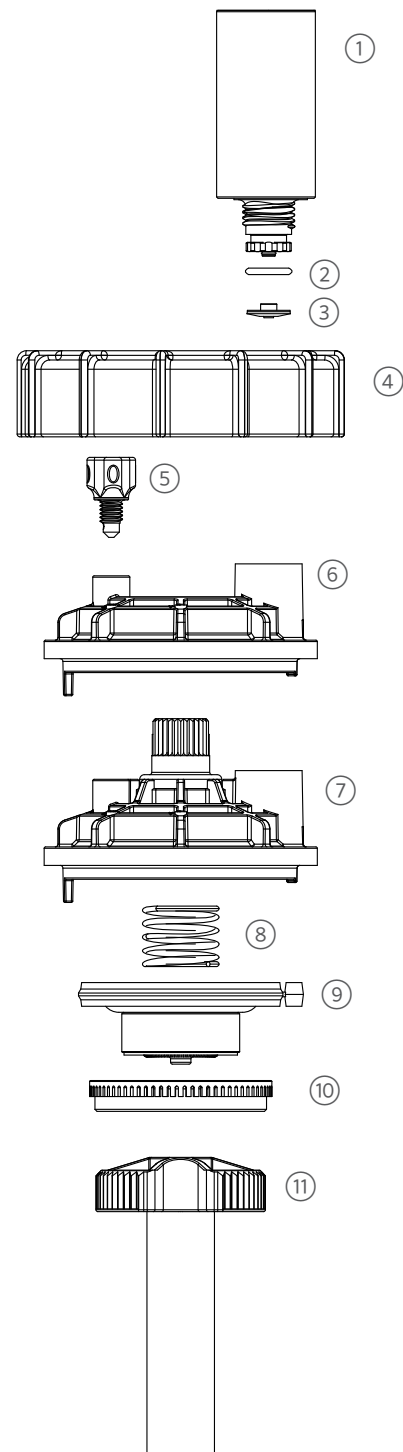
ITEM	DESCRIPTION		CATALOG NO.
1	Solenoid Assembly (Includes Items 2 & 3)	AC Solenoid	606800
		DC-Latching Solenoid	458200
2	O-Ring		262600
3	Solenoid Seal		364400
4	Bonnet Screw		427300
5	Bleed Screw		546700SP
6	Bonnet Without Flow Control With Bleed Screw		556100
7	Bonnet With Flow Control & Bleed Screw		556000
8	Diaphragm Spring		266000SP
9	Diaphragm Assembly		332100SP
10	Diaphragm Support Ring		331300
11	Flow Control Handle	Black	269200
		Purple	269205
12	Reclaimed ID Tag, Purple (10-Pack)		LIT-700





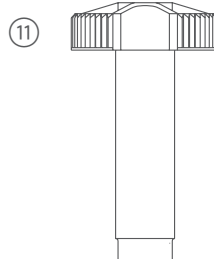
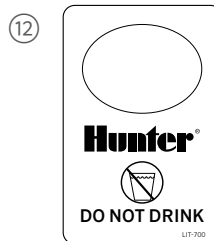
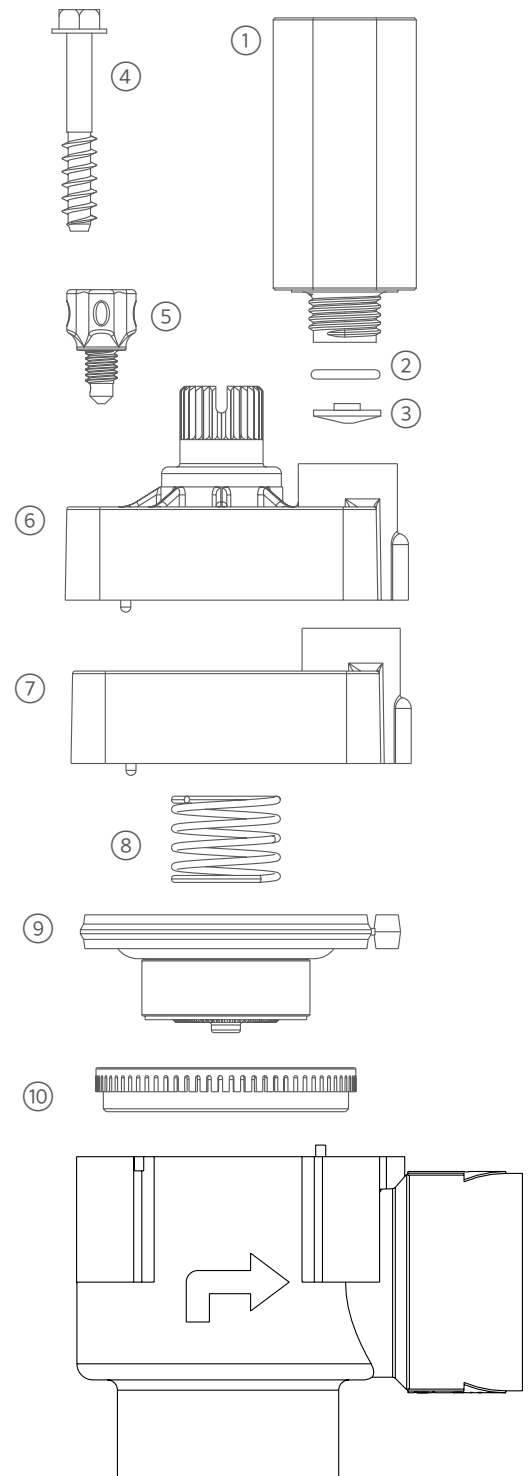
**PGV JAR-TOP: PLASTIC VALVE**

ITEM	DESCRIPTION	CATALOG NO.
1	Solenoid Assembly (Includes Items 2 & 3)	AC Solenoid 606800
		DC-Latching Solenoid 458200
2	O-Ring	262600
3	Solenoid Seal	364400
4	Bonnet Ring	476100
5	Bleed Screw	546700SP
6	Bonnet Assembly Without Flow Control	476700
7	Bonnet Assembly With Flow Control	476800
8	Diaphragm Spring	266000SP
9	Diaphragm Assembly	332100SP
10	Diaphragm Support Ring	331300SP
11	Flow Control Handle	Black 269200
		Purple 269205
12	Reclaimed ID Tag, Purple (10-Pack)	LIT-700



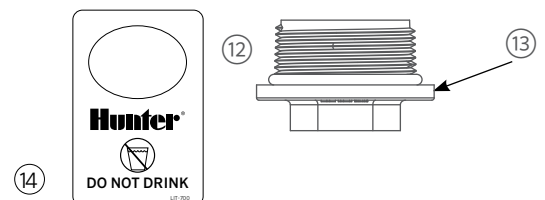
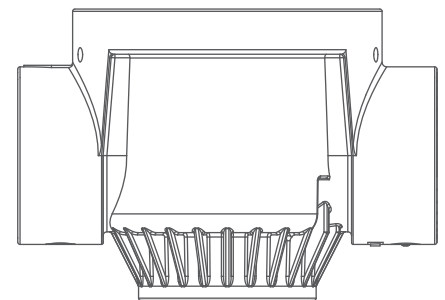
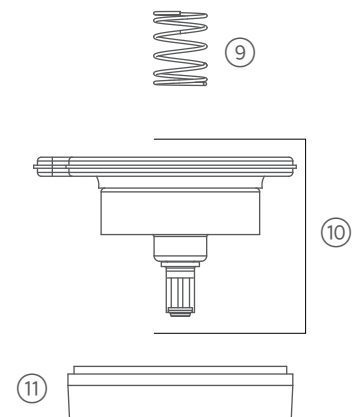
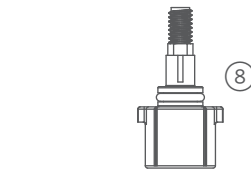
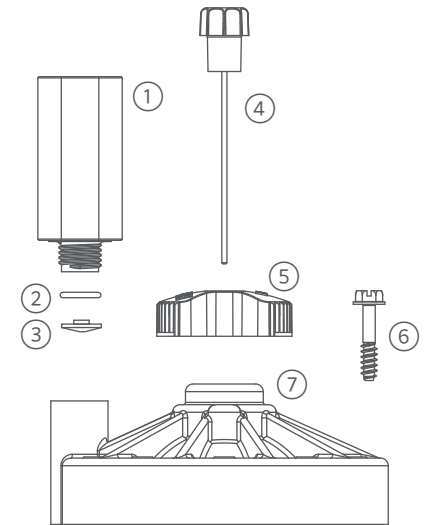
## PGV-100A, PGV-101A: PLASTIC VALVE

ITEM	DESCRIPTION		CATALOG NO.
1	Solenoid Assembly (Includes Items 2 & 3)	AC Solenoid	606800
		DC-Latching Solenoid	458200
2	O-Ring		262600
3	Solenoid Seal		364400
4	Bonnet Screw		427300
5	Bleed Screw		546700SP
6	Bonnet With Flow Control & Bleed Screw		556000
7	Bonnet Without Flow Control With Bleed Screw		556100
8	Diaphragm Spring		266000SP
9	Diaphragm Assembly		332100SP
10	Diaphragm Support Ring		331300P
11	Flow Control Handle	Black	269200
		Purple	269205
12	Reclaimed ID Tag, Purple (10-Pack)		LIT-700



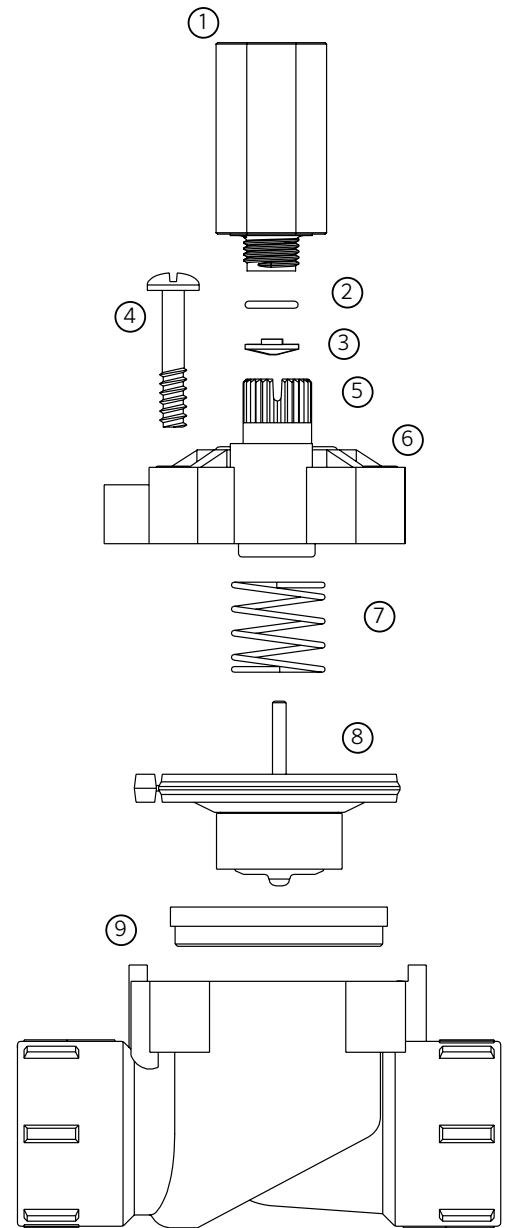
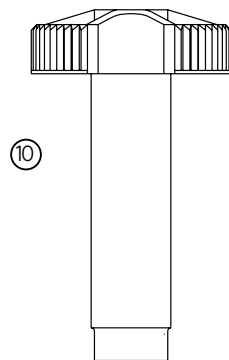
**PGV-151, PGV-201: PLASTIC VALVE**

ITEM	DESCRIPTION		CATALOG NO.
1	Solenoid Assembly (Includes Items 2 & 3)	AC Solenoid	606800
		DC-Latching Solenoid	458200
2	O-Ring		262600
3	Solenoid Seal		364400
4	Bleed Screw Assembly (Qty. 5)	1½" (40 mm)	427000SP
		2" (50 mm)	427100SP
5	Flow Control Handle (Qty. 5)	Black	607100SP
		Purple	607105SP
6	Bonnet Screw		472800
7	Bonnet	1½" (40 mm)	414000SP
		2" (50 mm)	415500SP
8	Flow Control Stem Assembly (Includes Stem, Stem Nut, O-Ring)	1½" (40 mm)	421500SP
		2" (50 mm)	414600SP
	Flow Control Stem	1½" (40 mm)	606900
		2" (50 mm)	607000
	Flow Control Stem Nut	1½" (40 mm)	413000
		2" (50 mm)	414700
	Flow Control Stem O-Ring	1½" & 2" (40 mm & 50 mm)	412900
9	Spring	1½" (40 mm)	412300
		2" (50 mm)	414200
10	Diaphragm Assembly	1½" (40 mm)	414100SP
		2" (50 mm)	415600SP
11	Diaphragm Support	1½" (40 mm)	413100
		2" (50 mm)	414800
12	Body Plug Without O-Ring	1½" NPT (40 mm)	413800
		1½" BSP (40 mm)	413805
		2" NPT (50 mm)	415300
		2" BSP (50 mm)	415305
13	O-Ring for Plug	1½" (40 mm)	413900
		2" (50 mm)	415400
14	Reclaimed ID Tag, Purple (10-Pack)		LIT-700



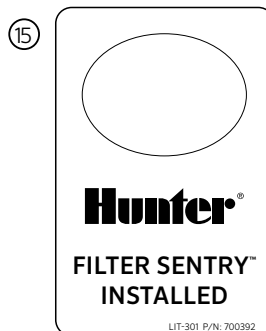
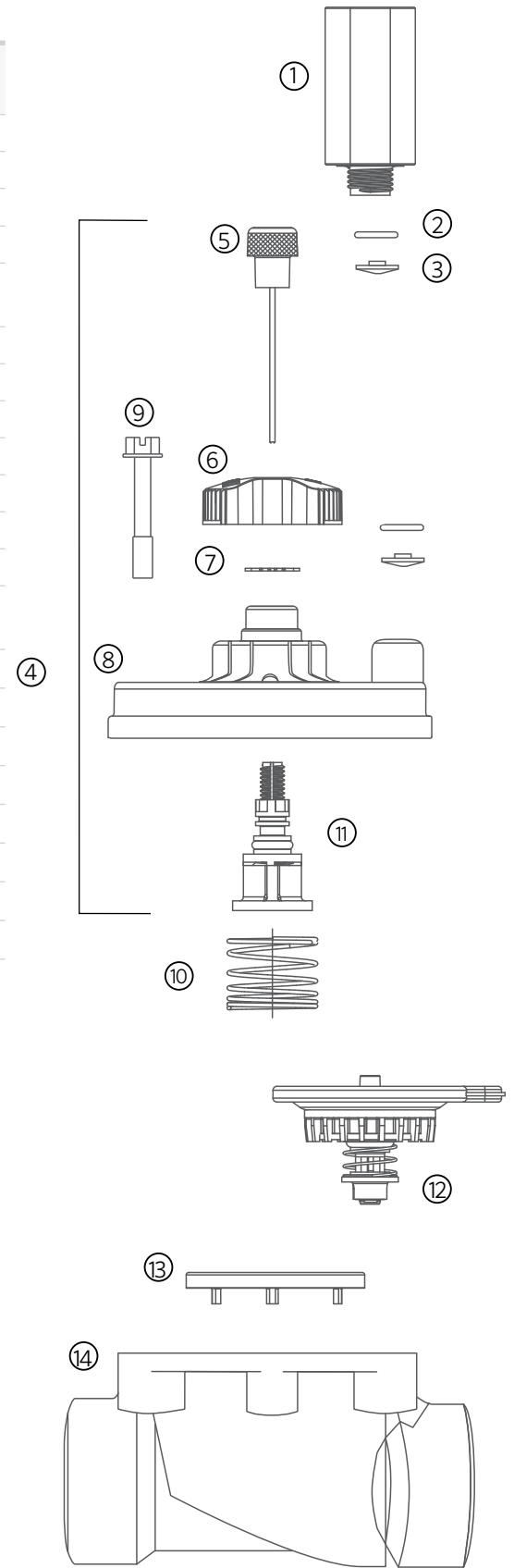
## HPV: PLASTIC VALVE

ITEM	DESCRIPTION		CATALOG NO.
1	Solenoid Assembly (Includes Items 2 & 3)	AC Solenoid	606800
		DC Solenoid	458200
2	O-Ring		262600
3	Solenoid Seal		364400
4	Bonnet Screw		266100
5	Bonnet With Flow Control		UNAVAILABLE
6	Bonnet Without Flow Control		266602SP
7	Diaphragm Spring		266000SP
8	Diaphragm Assembly		266902SP
9	Diaphragm Support Ring		265000SP
10	Flow Control Handle	Black	269200
		Purple	269205



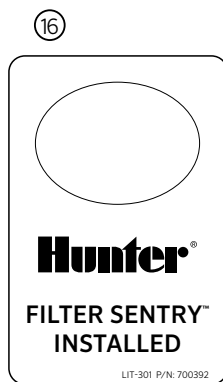
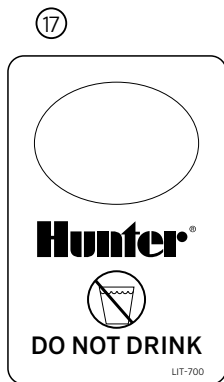
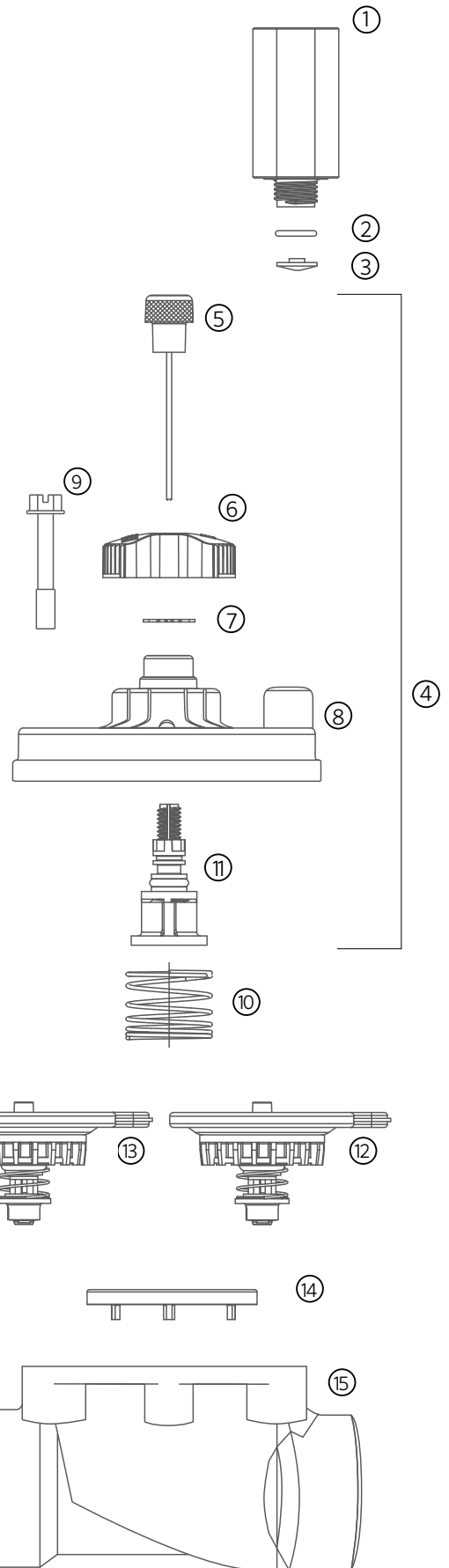
**IBV-101G: BRASS VALVE**

ITEM	DESCRIPTION		CATALOG NO.
1	Solenoid Assembly (Includes Items 2 & 3)	AC Solenoid	606800
		DC-Latching Solenoid	458200
2	Solenoid O-Ring		262600
3	Solenoid Seal		364400
4	Bonnet Assembly (Includes Items 5-8, 11)		900100SP
5	Bleed Screw (10-Pack)		900300SP
6	Flow Control Knob	Standard	899600SP
		Purple Reclaimed	899605SP
7	E-Clip Retainer		387200SP
8	Bonnet		--
9	Bonnet Bolts		669000SP
10	Diaphragm Spring		386700SP
11	Flow Control Stem Assembly (Includes Items 12-14)		900200SP
		Flow Control Stem	--
		Flow Control Stem Nut	--
		Flow Control Stem O-Ring	--
12	Diaphragm Assembly with Filter Sentry® Mechanism		461503SP
13	Diaphragm Support Ring		711900
14	Valve Body		--
15	Filter Sentry Tag (10-Pack)		700392SP
16	Reclaimed ID Tag, Purple (10-Pack)		LIT-700



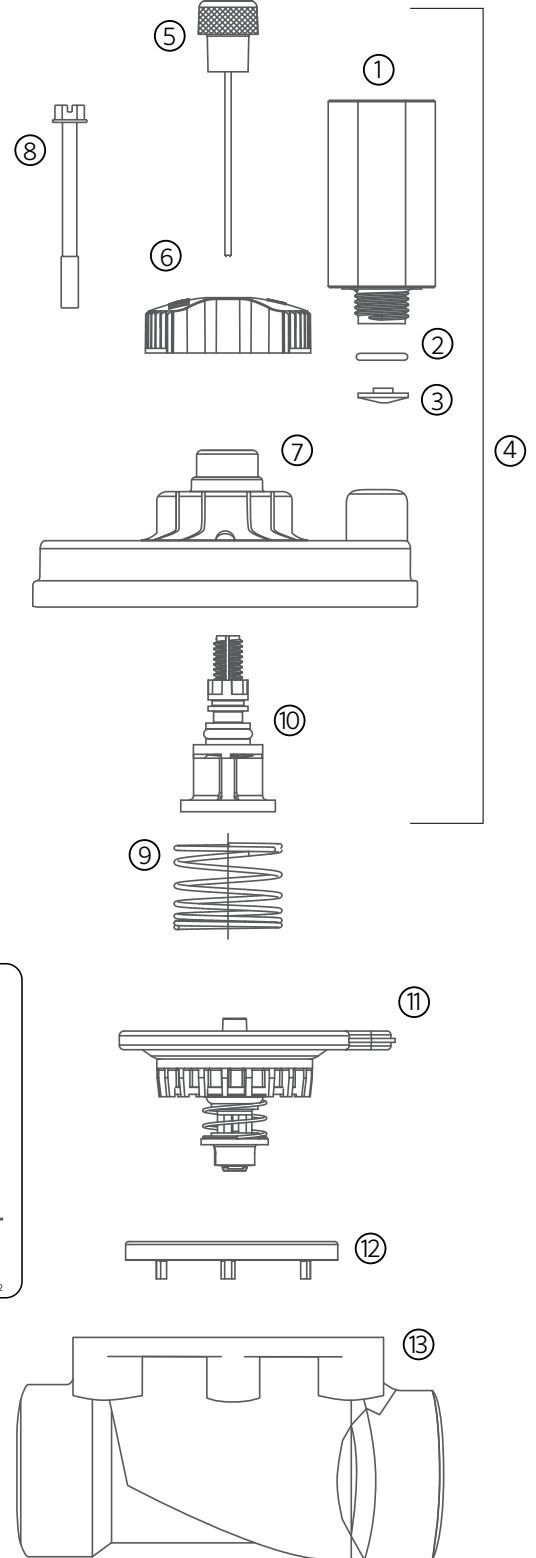
**IBV-151G, IBV-201G: BRASS VALVES**

ITEM	DESCRIPTION		CATALOG NO.
1	Solenoid Assembly (Includes Items 2 & 3)	AC Solenoid	833400SP
		DC-Latching Solenoid	458200
2	Solenoid O-Ring		262600
3	Solenoid Seal		364400
4	Bonnet Assembly (Includes Items 5-8, 11)		900800SP
5	Bleed Screw (10-Pack)		901000SP
6	Flow Control Knob	Standard	899600SP
		Purple Reclaimed	899605SP
7	E-Clip Retainer (10-Pack)		371600SP
8	Bonnet		--
9	Bonnet Bolts		669000
10	Diaphragm Spring		365400SP
11	Flow Control Stem Assembly (Includes Items 12-14)		900900SP
		Flow Control Stem	--
		Flow Control Stem Nut	--
		Flow Control Stem O-Ring	--
12	Diaphragm Assembly	Filter Sentry Mechanism	676901SP
		Purple Reclaimed	676902SP
13	Diaphragm Assembly	Purple Reclaimed	676902SP
14	Diaphragm Support Ring		365900SP
15	Valve Body		--
16	Filter Sentry Tag (10-Pack)		700392SP
17	Reclaimed ID Tag, Purple (10-Pack)		LIT-700



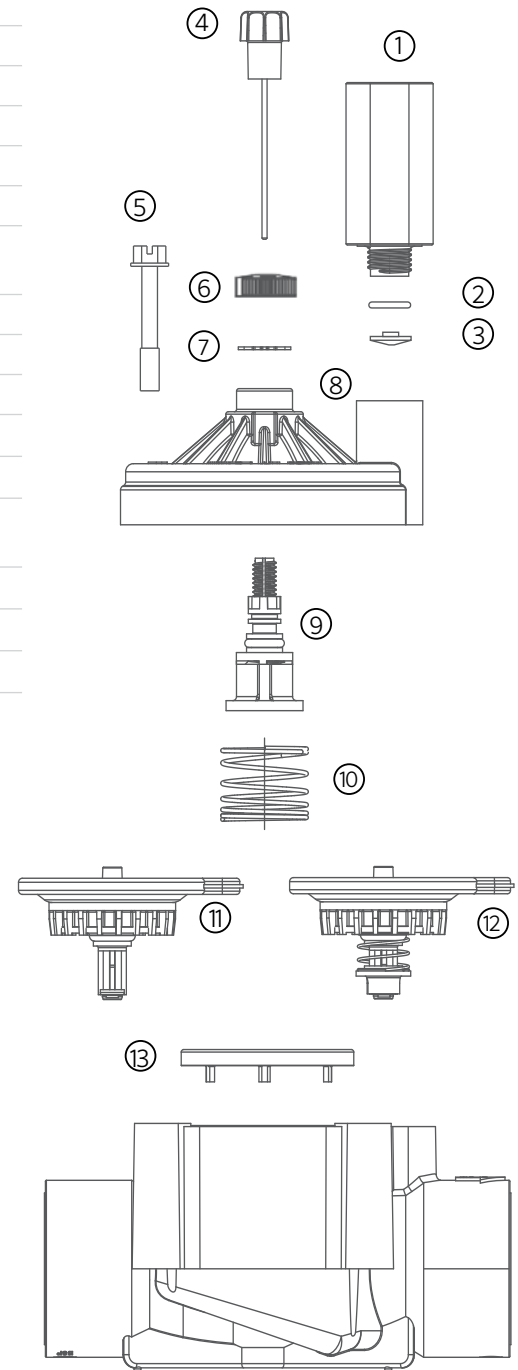
**IBV-301G: BRASS VALVE**

ITEM	DESCRIPTION		CATALOG NO.
1	Solenoid Assembly (Includes Items 2 & 3)	AC Solenoid	606800
		DC-Latching Solenoid	458200
2	Solenoid O-Ring		262600
3	Solenoid Seal		364400
4	Bonnet Assembly (Includes Items 5-7, 10)		901700SP
5	Bleed Screw (10-Pack)		902000SP
6	Flow Control Knob	Standard	899600SP
		Purple Reclaimed	899605SP
7	Bonnet		--
8	Bonnet Bolts		669000
9	Diaphragm Spring		518000SP
10	Flow Control Stem Assembly (Includes Items 12-14)	Flow Control Stem	--
		Flow Control Stem Nut	--
		Flow Control Stem O-Ring	--
11	Diaphragm Assembly	Filter Sentry Mechanism	518905
12	Diaphragm Support Ring		514600
13	Valve Body		--
14	Filter Sentry Tag (10-Pack)		700392SP
15	Reclaimed ID Tag, Purple (10-Pack)		LIT-700



## ICV-101G: PLASTIC VALVE

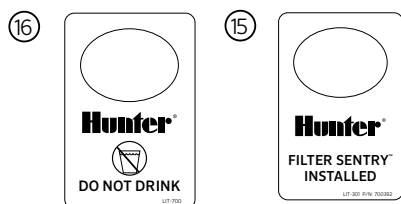
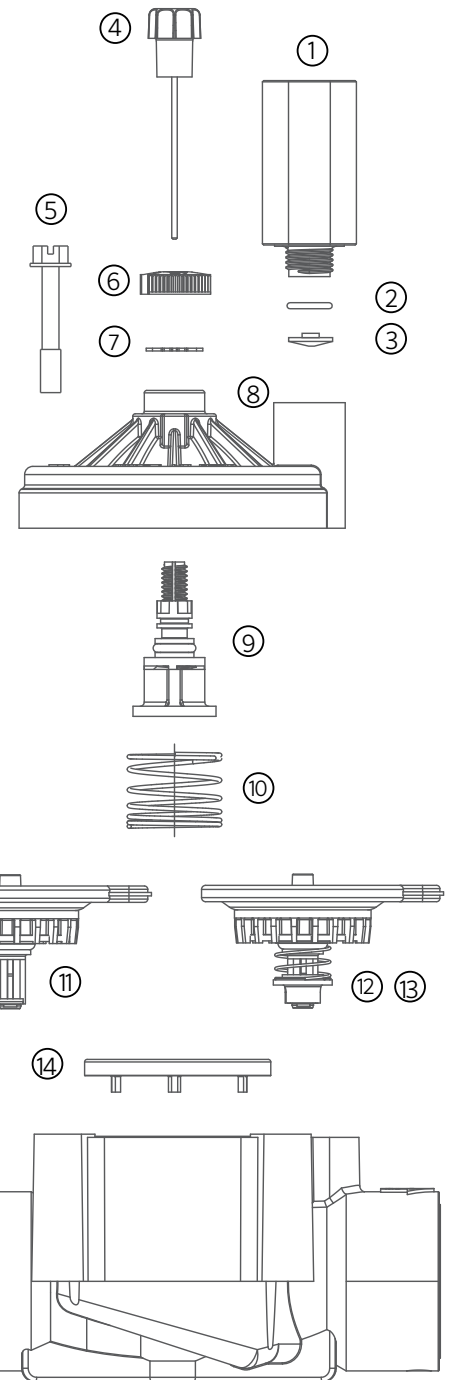
ITEM	DESCRIPTION		CATALOG NO.
1	Solenoid Assembly (Includes Items 2 & 3)	AC Solenoid	606800
		DC-Latching Solenoid	458200
2	O-Ring		262600
3	Solenoid Seal		364400
4	Bleed Assembly		561400
5	Bonnet Bolt		386900
6	Flow Control Knob	Black	561200SP
		Purple	561205SP
7	E-Clip Retainer		387200
8	Bonnet		387700
9	Flow Control Stem Assembly (Includes Stem, Stem Nut, O-Ring)		387900
		Flow Control Stem	560900
		Flow Control Stem Nut	386000
		Flow Control Stem O-Ring	387100
10	Spring		386700
11	Diaphragm Assembly - Standard		387800SP
12	Diaphragm Assembly with Filter Sentry Mechanism		461503SP
13	Diaphragm Support Ring		711900
14	Filter Sentry Tag, Yellow (10-Pack)		700392SP
15	Reclaimed ID Tag, Purple (10-Pack)		LIT-700





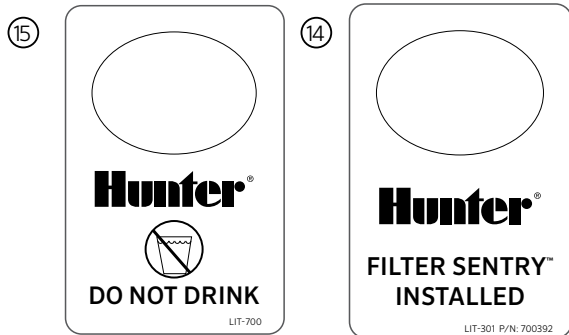
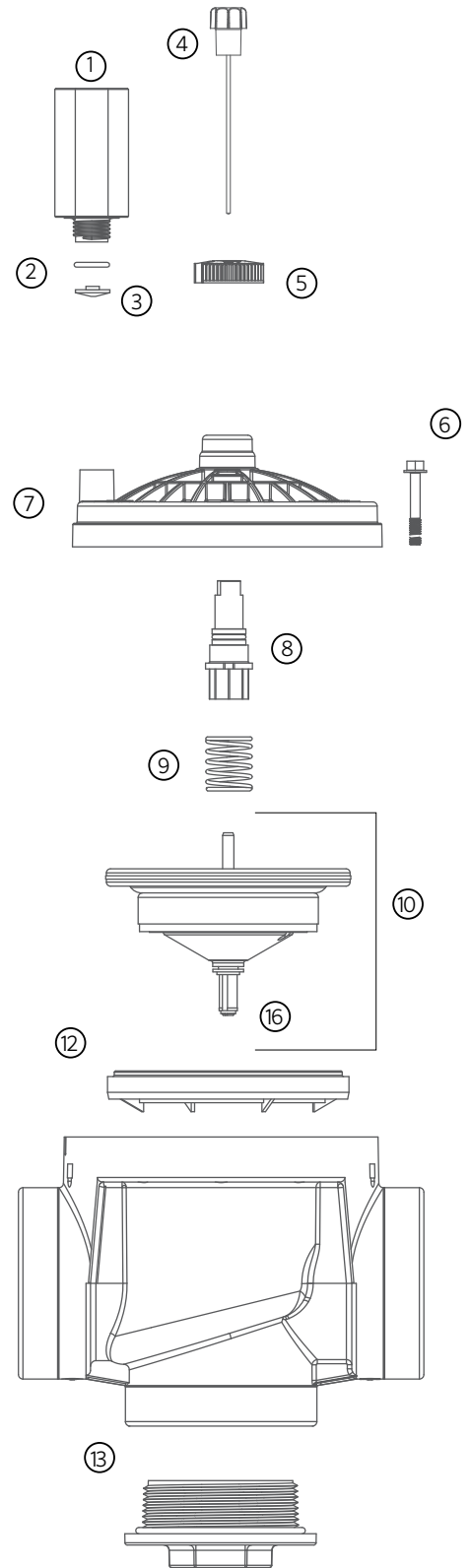
**ICV-151G, ICV-201G: PLASTIC VALVE**

ITEM	DESCRIPTION		CATALOG NO.
1	Solenoid Assembly (Includes Items 2 & 3)	AC Solenoid	606800
		DC-Latching Solenoid	458200
2	O-Ring		262600
3	Solenoid Seal		364400
4	Bleed Assembly		561500SP
5	Bonnet Bolt		366700
6	Flow Control Knob	Black	561200SP
		Purple	561205SP
7	E-Clip Retainer		387200
8	Bonnet		380600SP
9	Flow Control Stem Assembly (Includes Stem, Stem Nut, O-Ring)		374600SP
10	Spring		365400SP
11	Diaphragm Assembly - Standard		460026SP
12	Diaphragm Assembly with Filter Sentry Mechanism		460027SP
13	Diaphragm Assembly, Reclaimed		676902SP
14	Diaphragm Support Ring		365900SP
15	Filter Sentry Tag, Yellow (10-Pack)		700392SP
16	Reclaimed ID Tag, Purple (10-Pack)		LIT-700



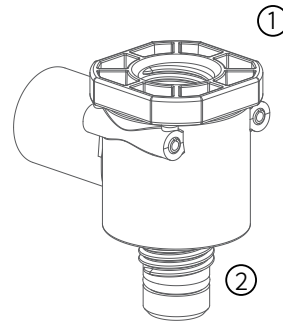
**ICV-301: PLASTIC VALVE**

ITEM	DESCRIPTION	CATALOG NO.
1	Solenoid Assembly	AC Solenoid 606800
	(Includes Items 2 & 3)	DC-Latching Solenoid 458200
2	O-Ring	262600
3	Solenoid Seal	364400
4	Bleed Screw Assembly, Male Threads	N/A
	(2014 and Older)	
4	Bleed Screw Assembly, Female Threads	836600SP
	(2015 and Newer)	
5	Flow Control Knob	Black 515000
	(2014 and Older)	Purple N/A
5	Flow Control Knob	Black 836500SP
	(2015 and Newer)	Purple 836501SP
6	Bonnet Bolt	386900
7	Bonnet Assembly (Includes Items 4, 5, 8)	856300SP
8	Flow Control Stem Assembly, Female Threads	N/A
	(2014 and Older)	
8	Flow Control Stem Assembly, Male Threads	836200SP
	(2015 and Newer)	
9	Diaphragm Spring	518000
10	Diaphragm Assembly	518900SP
11	Diaphragm Assembly with Filter Sentry Mechanism	518905SP
12	Diaphragm Support	514600
13	Port Plug Assembly	NPT 514900
	(Includes O-Ring)	BSP 514905
14	Filter Sentry Tag, Yellow (10-Pack)	700392SP
15	Reclaimed ID Tag, Purple (10-Pack)	LIT-700
16	Diaphragm Filter Screen	365200



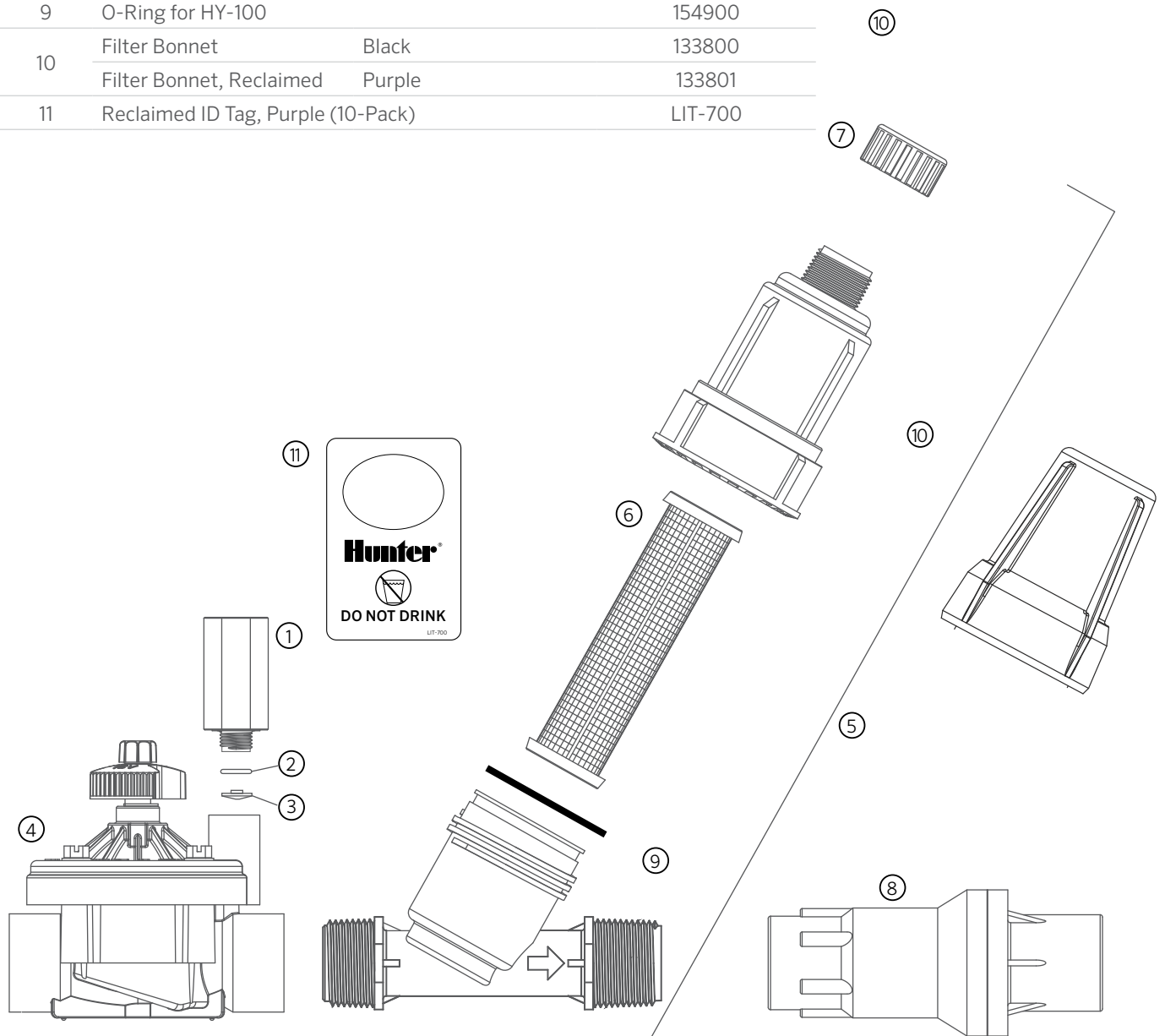
**ACCU SYNC® PRESSURE REGULATOR**

ITEM	DESCRIPTION	CATALOG NO.
1	Swivel Adapter	253500SP
2	O-Ring (25-Pack)	262600SP



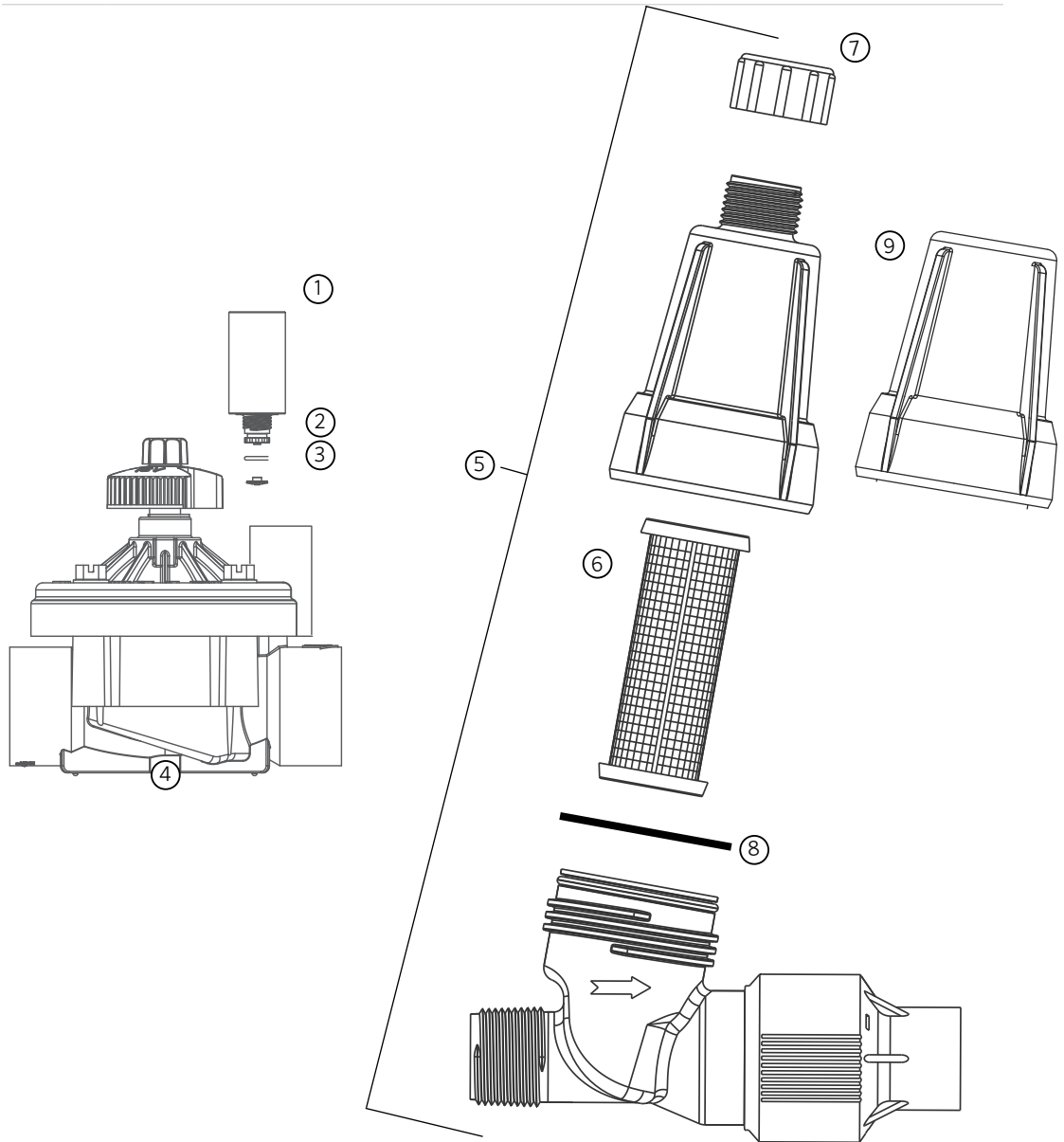
**ICZ-101: DRIP CONTROL ZONE KIT**

ITEM	DESCRIPTION		CATALOG NO.
1	Solenoid Assembly (Includes Items 2 & 3)	AC Solenoid	606800
		DC-Latching Solenoid	458200
2	O-Ring (25-pack)		262600SP
3	Solenoid Seal		364400
4	ICV-101G-FS Valve		ICV-101G-FS
5	1" (25 mm) Male x 1" (25 mm) Male NPT Wye Filter Assembly		HY-100
6	Stainless Steel Screen	150-Mesh	606200SP
7	Flush Cap With O-Ring		651900
8	1" (25 mm) Female x 1" (25 mm) Female NPT Pressure Regulator	25 PSI (1.7 bar; 170 kPa)	606000
		40 PSI (2.8 bar; 280 kPa)	652100
9	O-Ring for HY-100		154900
10	Filter Bonnet	Black	133800
	Filter Bonnet, Reclaimed	Purple	133801
11	Reclaimed ID Tag, Purple (10-Pack)		LIT-700



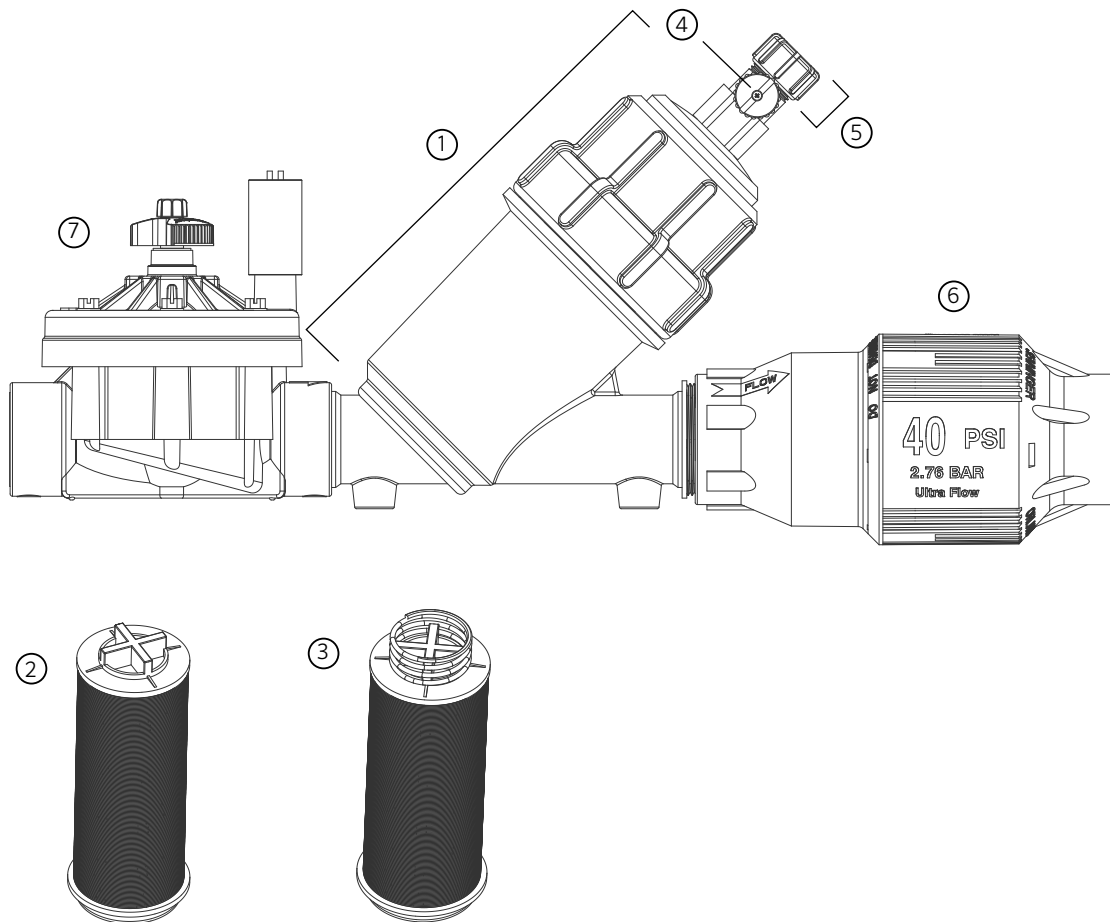
**ICZ-101-LF: DRIP CONTROL ZONE KIT**

ITEM	DESCRIPTION		CATALOG NO.
1	Solenoid Assembly (Includes Parts 2 & 3)	AC Solenoid	606800
		DC-Latching Solenoid	458200
2	O-Ring (25-pack)		262600SP
3	Solenoid Seal		364400
4	ICV-101G Valve		ICV-101G
5	Filter/Regulator Assembly, 1" (25 mm) x 3/4" (20 mm)		HFR-100-075-XX (XX is 25 or 40 PSI; 1.7 or 2.8 bar; 170 or 280 kPa)
6	Stainless Steel Screen	150-Mesh	809300SP
7	Flush Cap with O-Ring		651900
8	O-Ring for HFR-100-075		154900
9	Filter Bonnet (No Cap) (Not Shown)	Black	133800
	Filter Bonnet, Reclaimed	Purple	133801



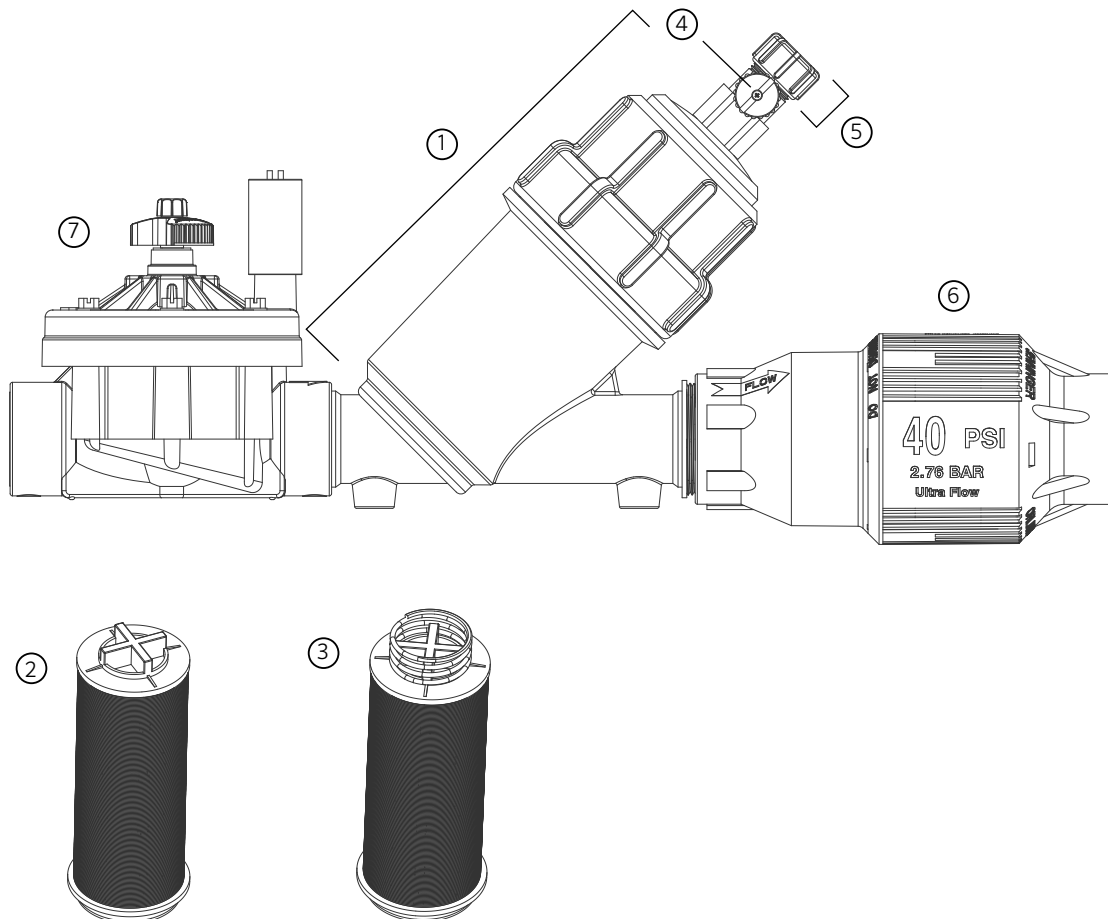
**ICZ-151: DRIP CONTROL ZONE KIT**

ITEM	DESCRIPTION	CATALOG NO.
1	Filter Assembly With 150-Mesh SS Screen	HY-151
	Spare – Stainless Steel Screen, 150-Mesh (Standard)	HY151SCREEN150
2	Spare – Stainless Steel Screen, 120-Mesh	HY151SCREEN120
	Spare – Stainless Steel Screen, 80-Mesh	HY151SCREEN080
3	Spare – Disc 125 Micron, 120-Mesh	HY151DISC120
4	Flush Valve	995500SP
5	Flush Cap With O-Ring	651900
6	Senninger 2" (50 mm) Inlet/Outlet Regulator at 40 PSI (2.8 bar; 280 kPa)	PRU-40
7	ICV-151G-FS Valve	ICV-151G-FS



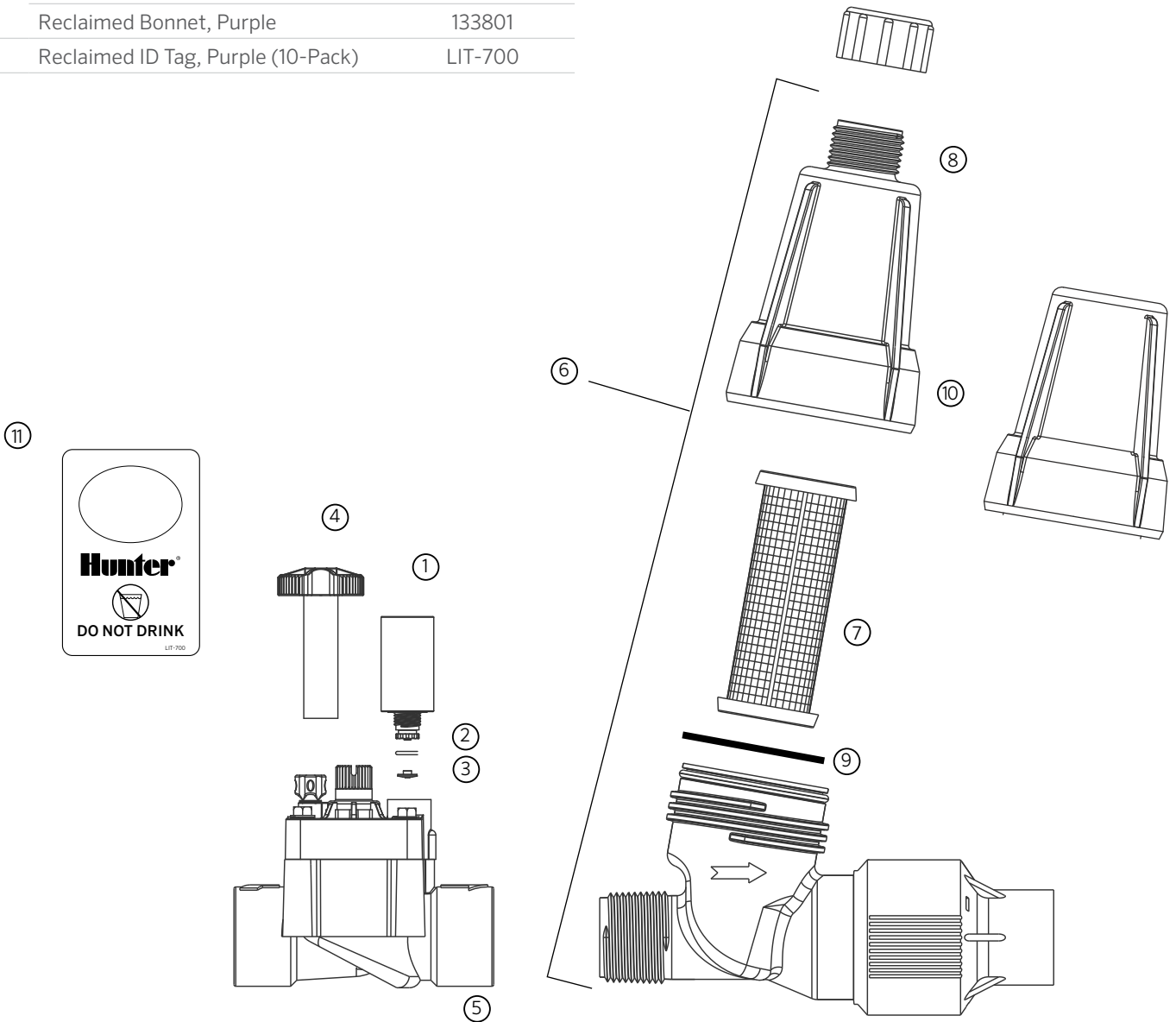
**ICZ-201: DRIP CONTROL ZONE KIT**

ITEM	DESCRIPTION	CATALOG NO.
1	Filter Assembly With 150-Mesh Stainless Steel Screen	HY-201
	Filter Assembly With 120-Mesh Stainless Steel Disc	HY-201-D
2	Spare Stainless Steel Screen, 150-Mesh (Standard)	HY201SCREEN150
	Spare Stainless Steel Screen, 120-Mesh	HY201SCREEN120
	Spare Stainless Steel Screen, 80-Mesh	HY201SCREEN080
3	Spare Spare 125-Micron Disc, 120-Mesh	HY201DISC120
4	Flush Valve (Optional)	995500SP
5	Flush Cap With O-Ring	651900
6	Senninger 2" (50 mm) Inlet/Outlet Regulator at 40 PSI (2.8 bar; 280 kPa)	PRU-40
7	ICV-201G-FS Valve	ICV-201G-FS



**PCZ-101: DRIP CONTROL ZONE KIT**

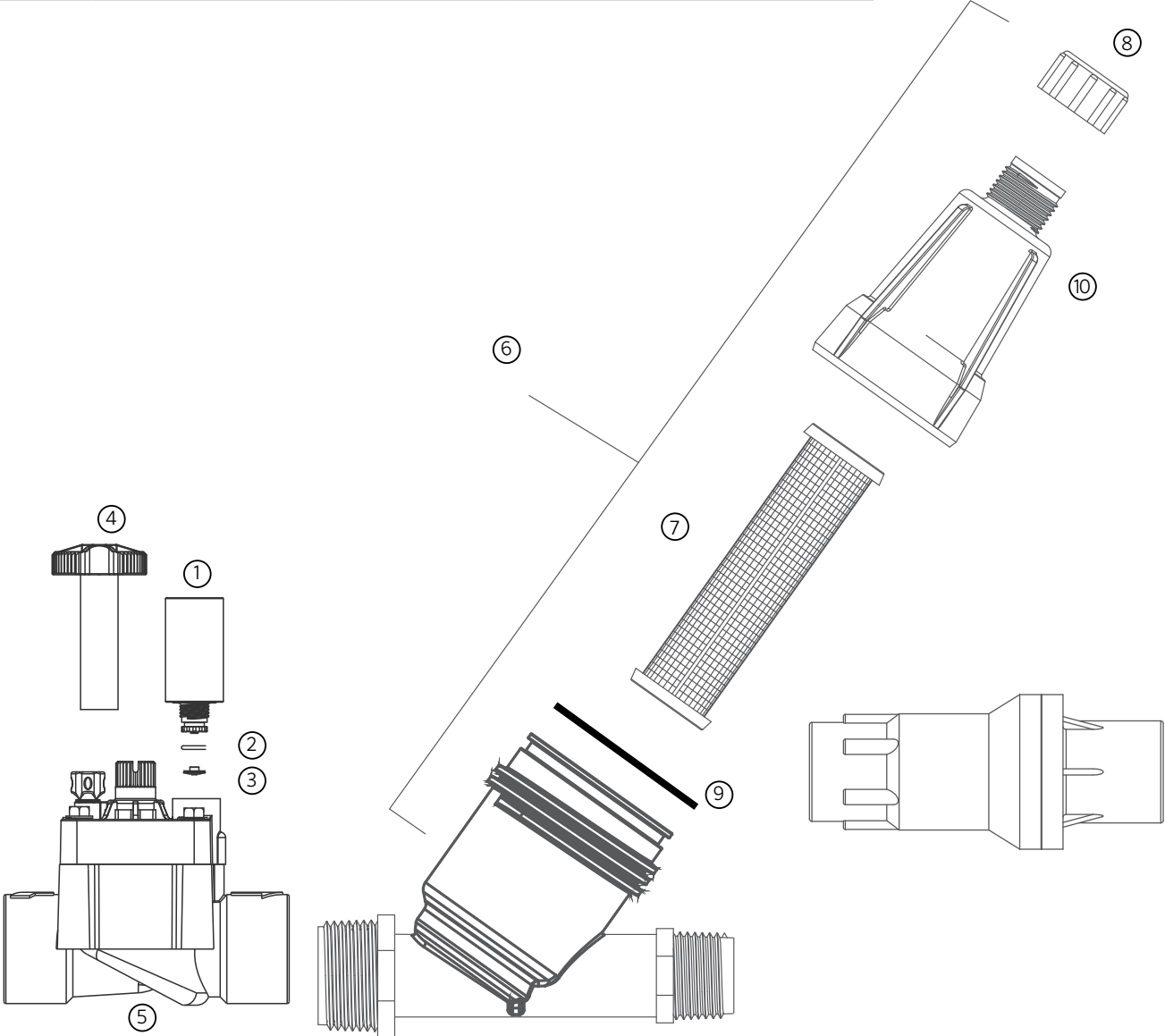
ITEM	DESCRIPTION	CATALOG NO.	
1	Solenoid Assembly (Includes Items 2 & 3)	AC Solenoid	606800
		DC- Latching Solenoid	458200
2	O-Ring	262600	
3	Solenoid Seal	364400	
4	Handle Flow Control	269200	
5	PGV-101G Valve	PGV101G	
6	Filter/Regulator Assembly	HFR-100-075-25	
		HFR-100-075-40	
7	Stainless Steel Screen, 150-Mesh	809300SP	
8	Flush Cap with O-Ring	651900	
9	O-Ring for HFR-100-075	154900	
10	Filter Bonnet (No Cap)		133800
		Reclaimed Bonnet, Purple	133801
11	Reclaimed ID Tag, Purple (10-Pack)	LIT-700	





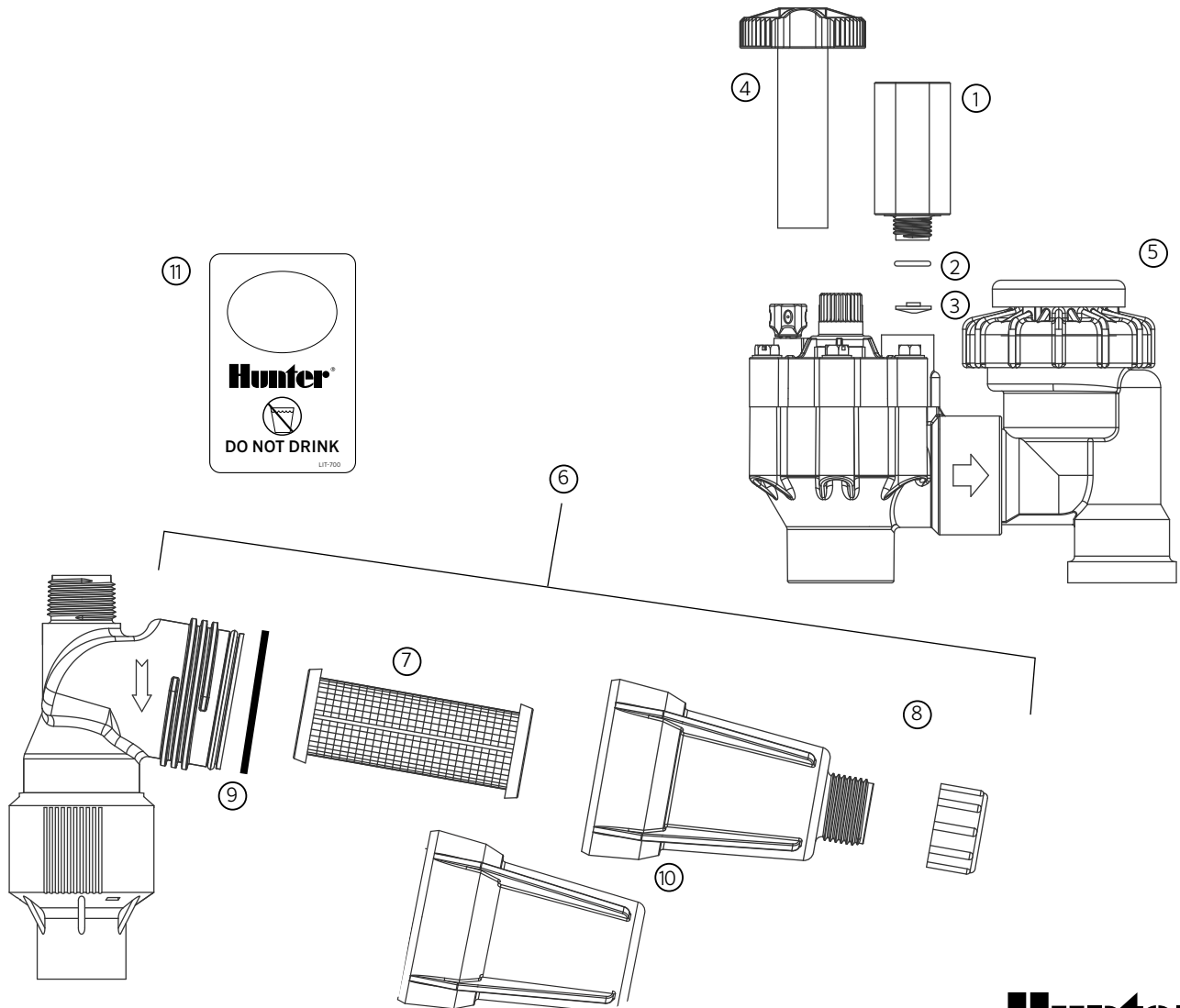
**PCZ-101: DRIP CONTROL ZONE KIT (BEFORE JANUARY 2014)**

ITEM	DESCRIPTION		CATALOG NO.
1	Solenoid Assembly (Includes Items 2 & 3)	AC Solenoid	606800
		DC-Latching Solenoid	458200
2	O-Ring		262600
3	Solenoid Seal		364400
4	Handle Flow Control	Black	269200
5	PGV-101G Valve		PGV-101G
6	1" (25 mm) Male x ¾" (20 mm) Male NPT Wye Filter Assembly		HY-100-075-XX (XX is 25 or 40 PSI; 1.7 or 2.8 bar; 170 or 280 kPa)
7	Stainless Steel Screen, 150-Mesh		606200SP
8	Flush Cap With O-Ring		651900
9	O-Ring for HY-100		154900
10	Filter Bonnet (No Cap)	Black	133800



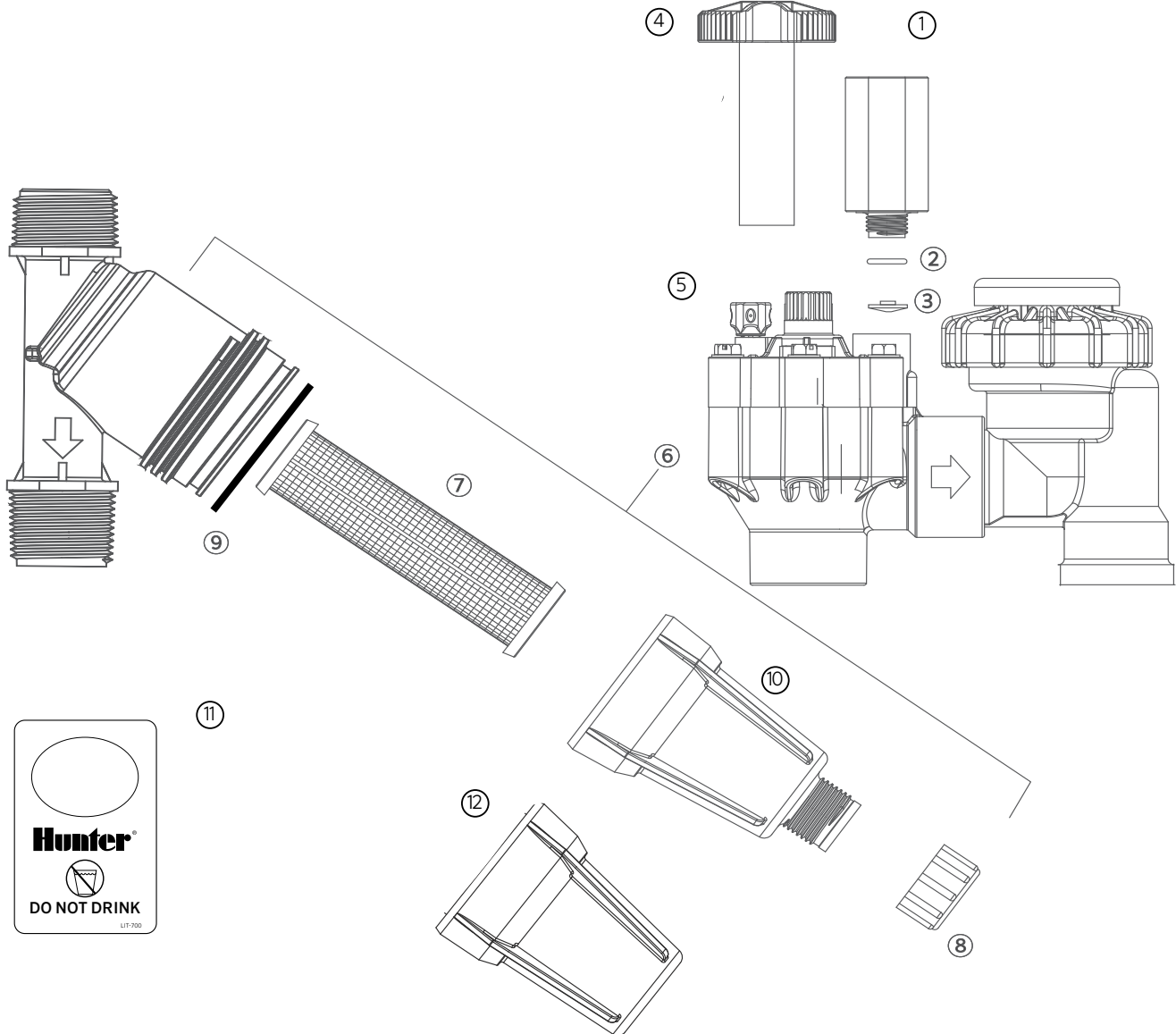
**ACZ-075: DRIP CONTROL ZONE KIT**

ITEM	DESCRIPTION		CATALOG NO.
1	Solenoid Assembly (Includes Items 2 & 3)	AC Solenoid	606800
		DC-Latching Solenoid	458200
2	O-Ring		262600
3	Solenoid Seal		364400
4	Handle Flow Control	Black	269200
5	¾" (20 mm) PGV-ASV Valve		PGV-075-ASV
6	Filter/Regulator Assembly	25 PSI (1.7 Bar; 170 kPa)	HFR-075-25
		40 PSI (2.8 Bar; 280 kPa)	HFR-075-40
7	Stainless Steel Screen	150-Mesh	809300SP
8	Flush Cap with O-Ring		651900
9	O-Ring for HFR-075		154900
10	Filter Bonnet (No Cap)	Black	133800
		Purple	133801
11	Reclaimed ID Tag (10-Pack)	Purple	LIT-700



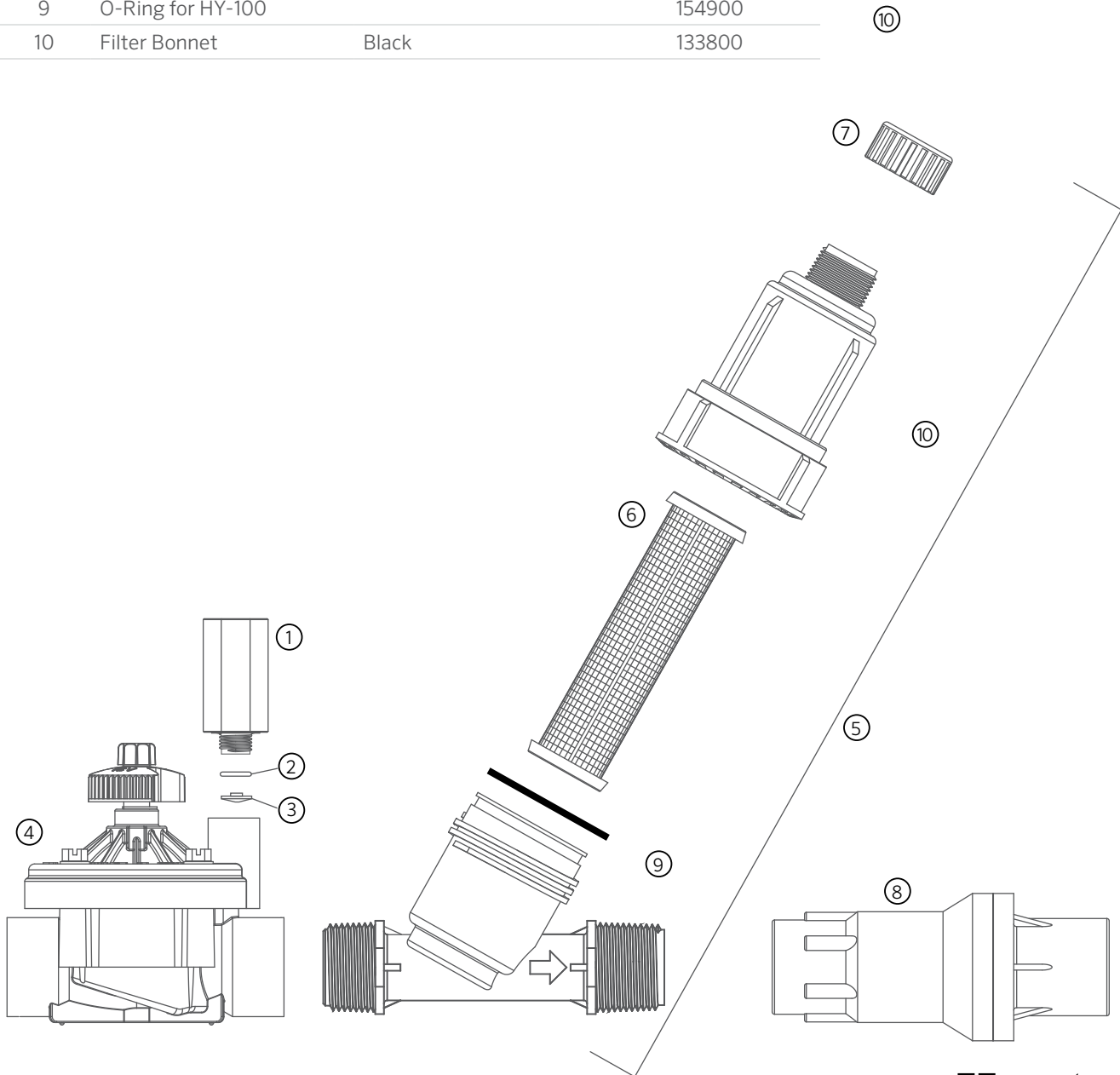
**ACZ-075: DRIP CONTROL ZONE KIT (BEFORE JANUARY 2014)**

ITEM	DESCRIPTION		CATALOG NO.
1	Solenoid Assembly (Includes Items 2 & 3)	AC Solenoid	434100
		DC-Latching Solenoid	458200
2	O-Ring		262600
3	Solenoid Seal		364400
4	Handle Flow Control	Black	269200
5	¾" (20 mm) PGV-ASV Valve		PGV-075-ASV
6	¾" (20 mm) Male x ¾" (20 mm) Male NPT Wye Filter Assembly		HY-075
7	Stainless Steel Screen	150-Mesh	606200
8	Flush Cap With O-Ring		651900
9	O-Ring for HY-100		154900
10	Filter Bonnet (No Cap)	Black	133800
11	Reclaimed ID Tag	Purple	LIT-700
12	Reclaimed Filter Bonnet	Purple	133801



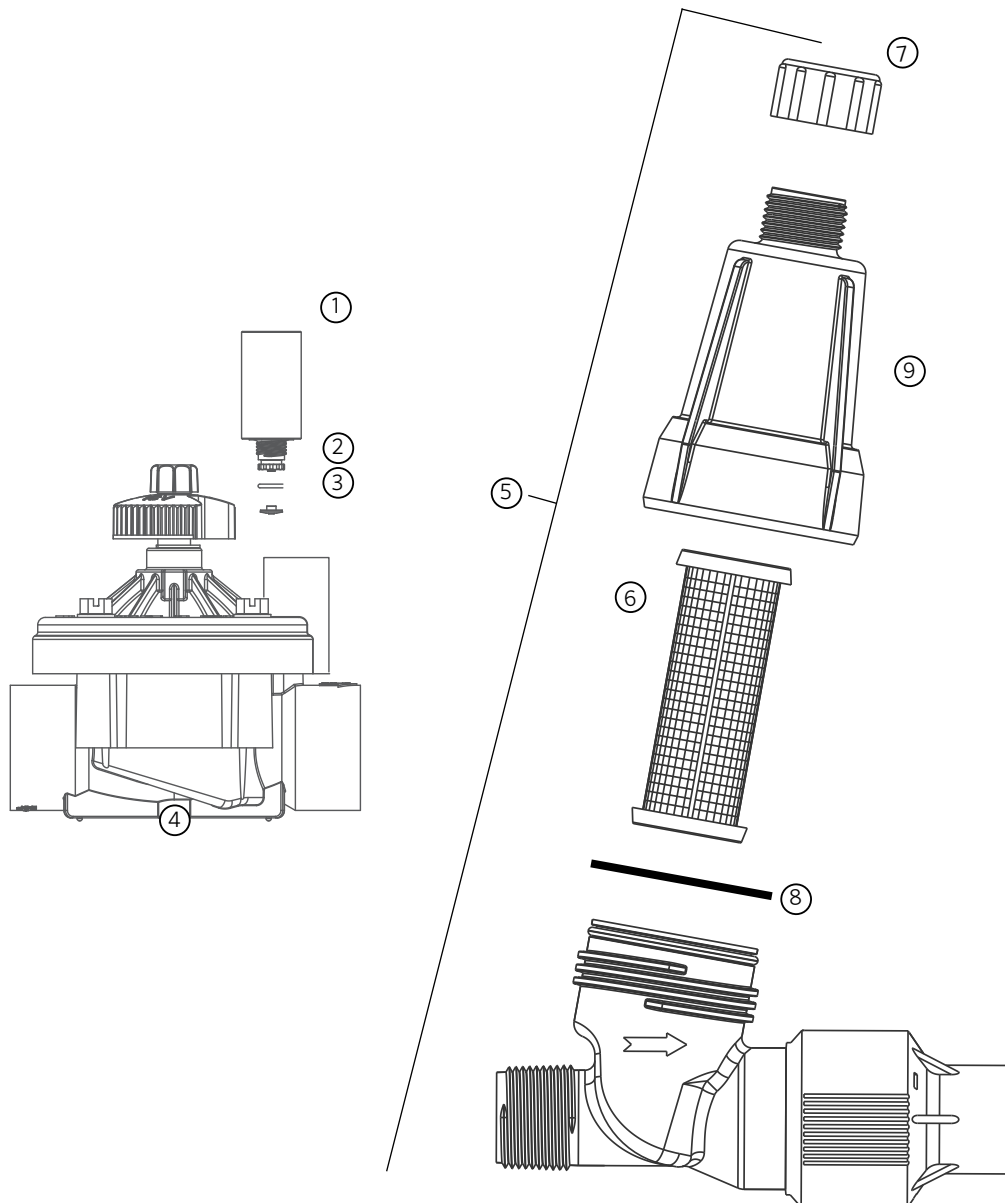
**IBZ-101: BRASS VALVE DRIP CONTROL ZONE KIT**

ITEM	DESCRIPTION		CATALOG NO.
1	Solenoid Assembly (Includes Items 2 & 3)	AC Solenoid	606800
		DC-Latching Solenoid	458200
2	O-Ring		262600
3	Solenoid Seal		364400
4	IBV-101G-FS Valve		IBV-101G-FS
5	1" (25 mm) Male x 1" (25 mm) Male NPT Wye Filter Assembly		HY-100
6	Stainless Steel Screen	150-Mesh	606200SP
7	Flush Cap With O-Ring		651900
8	1" (25 mm) Female x 1" (25 mm) Female NPT Pressure Regulator	25 PSI (1.7 bar; 170 kPa)	606000
		40 PSI (2.8 bar; 280 kPa)	652100
9	O-Ring for HY-100		154900
10	Filter Bonnet	Black	133800



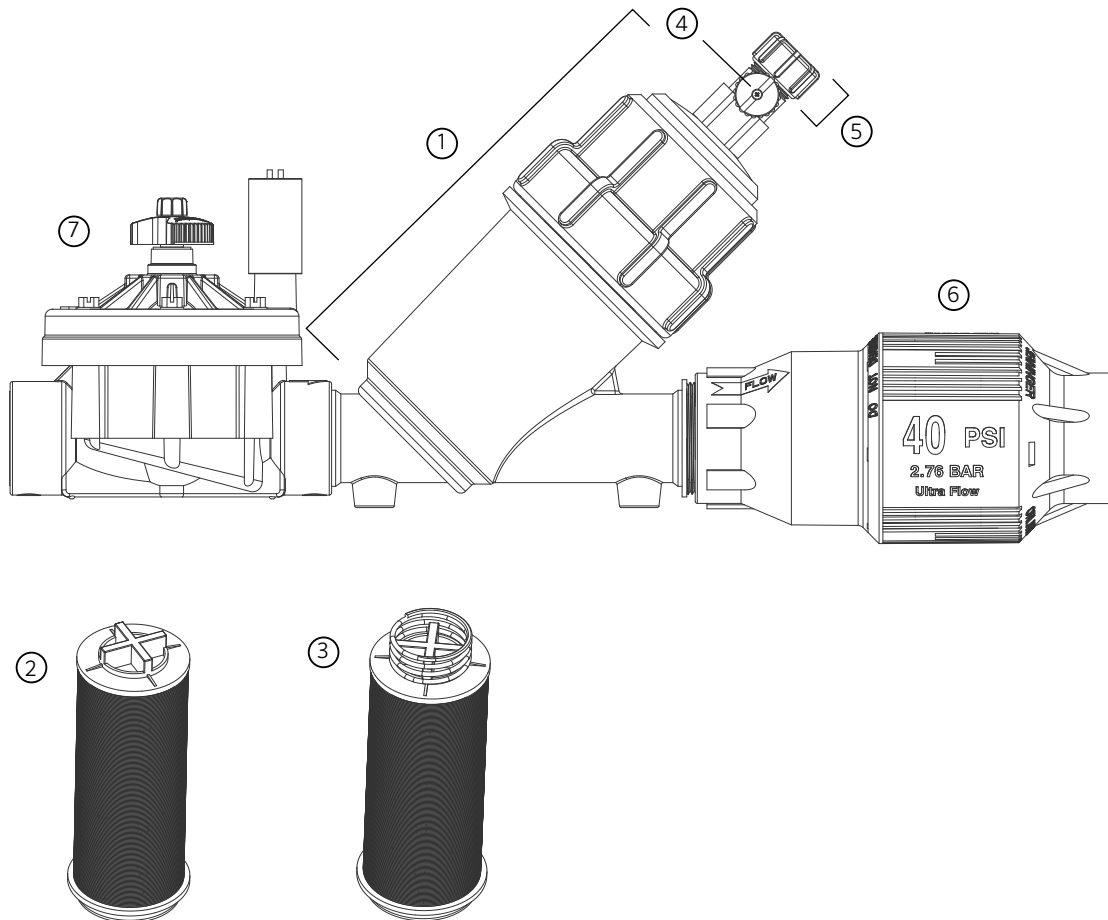
**IBZ-101-LF: BRASS VALVE DRIP CONTROL ZONE KIT**

ITEM	DESCRIPTION		CATALOG NO.
1	Solenoid Assembly (Includes Items 2 & 3)	AC Solenoid	606800
		DC-Latching Solenoid	458200
2	O-Ring		262600
3	Solenoid Seal		364400
4	IBV-101G-FS Valve		IBV-101G-FS
5	Filter/Regulator Assembly, 1" (25 mm) x 3/4" (20 mm)		HFR-100-075-XX (XX is 25 or 40 PSI; 1.7 or 2.8 bar; 170 or 280 kPa)
6	Stainless Steel Screen	150-Mesh	809300SP
7	Flush Cap With O-Ring		651900
8	O-Ring for HFR-100-075		154900
9	Filter Bonnet (No Cap)	Black	133800



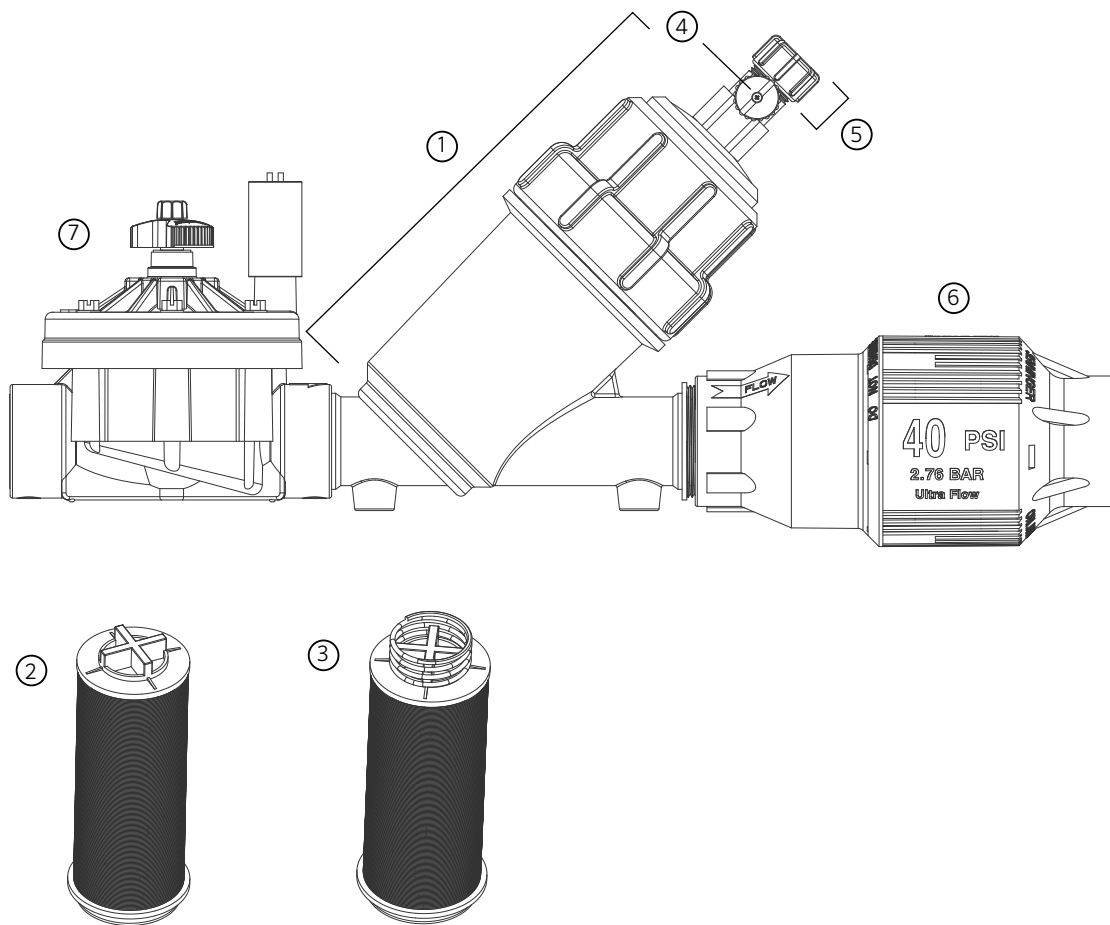
## IBZ-151: BRASS VALVE DRIP CONTROL ZONE KIT

ITEM	DESCRIPTION	CATALOG NO.
1	Filter Assembly With 150-Mesh SS Screen	HY-151
	Filter Assembly With 120-Mesh SS Disc	HY-151-D
2	Spare Stainless Steel Screen, 150-Mesh (Standard)	HY151SCREEN150
	Spare Stainless Steel Screen, 120-Mesh	HY151SCREEN120
	Spare Stainless Steel Screen, 80-Mesh	HY151SCREEN080
3	Spare 125-Micron Disc, 120-Mesh	HY151DISC120
4	Flush Valve (Optional)	995500SP
5	Flush Cap With O-Ring	651900
6	Senninger 2" (50 mm) Inlet/Outlet Regulator at 40 PSI (2.8 bar; 280 kPa)	PRU-40
7	IBZ-151G-FS Valve	IBZ-151G-FS



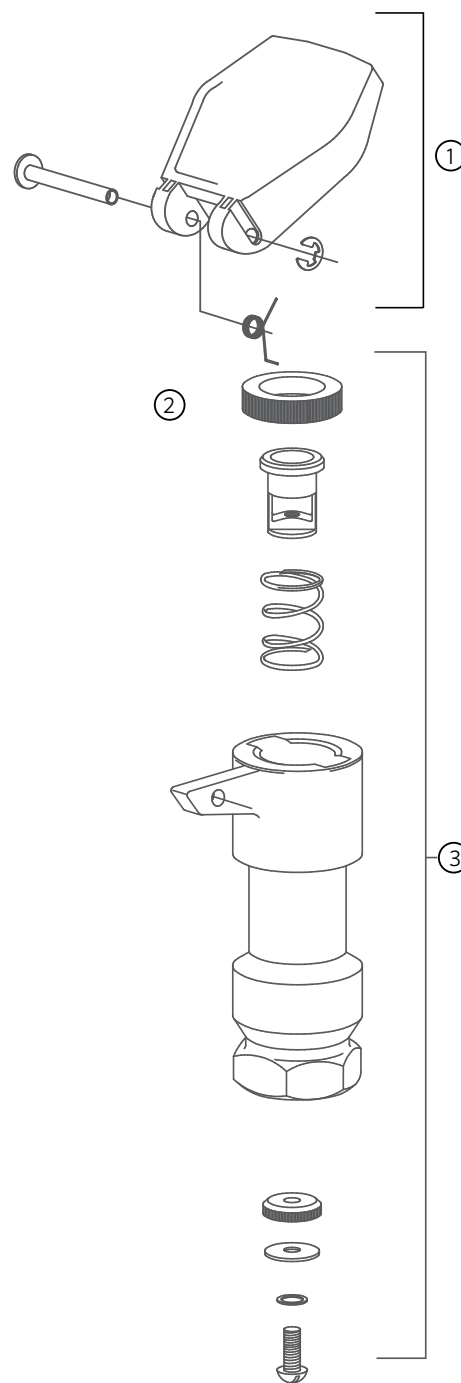
**IBZ-201: BRASS VALVE DRIP CONTROL ZONE KIT**

ITEM	DESCRIPTION	CATALOG NO.
1	Filter Assembly With 150-Mesh SS Screen	HY-201
	Filter Assembly With 120-Mesh SS Disc	HY-201-D
2	Spare Stainless Steel Screen, 150-Mesh (Standard)	HY201SCREEN150
	Spare Stainless Steel Screen, 120-Mesh	HY201SCREEN120
	Spare Stainless Steel Screen, 80-Mesh	HY201SCREEN080
3	Spare 125-Micron Disc, 120-Mesh	HY201DISC120
4	Flush Valve (Optional)	995500SP
5	Flush Cap With O-Ring	651900
6	Senninger 2" (50 mm) Inlet/Outlet Regulator at 40 PSI (2.8 bar; 280 kPa)	PRU-40
7	IBV-201G-FS Valve	IBV-201G-FS



## HQ3RC: QUICK COUPLER VALVE

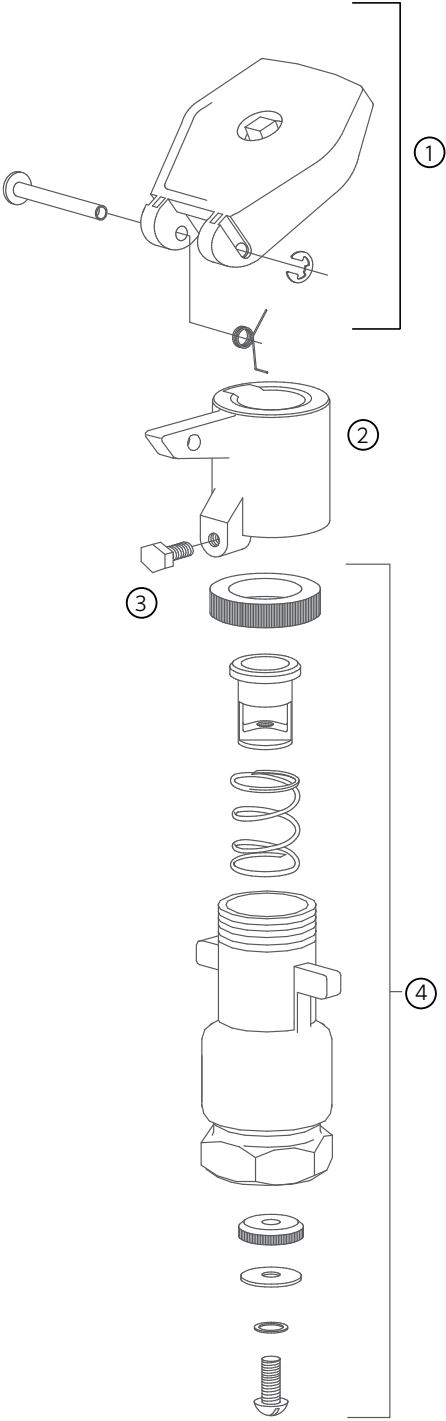
ITEM	DESCRIPTION	CATALOG NO.
1	Cover Kit, Yellow Non-Locking	150700
2	Upper Seal Kit (25 Seals)	103600
3	Complete Seal Kit (Does Not Include Brass Body)	149500





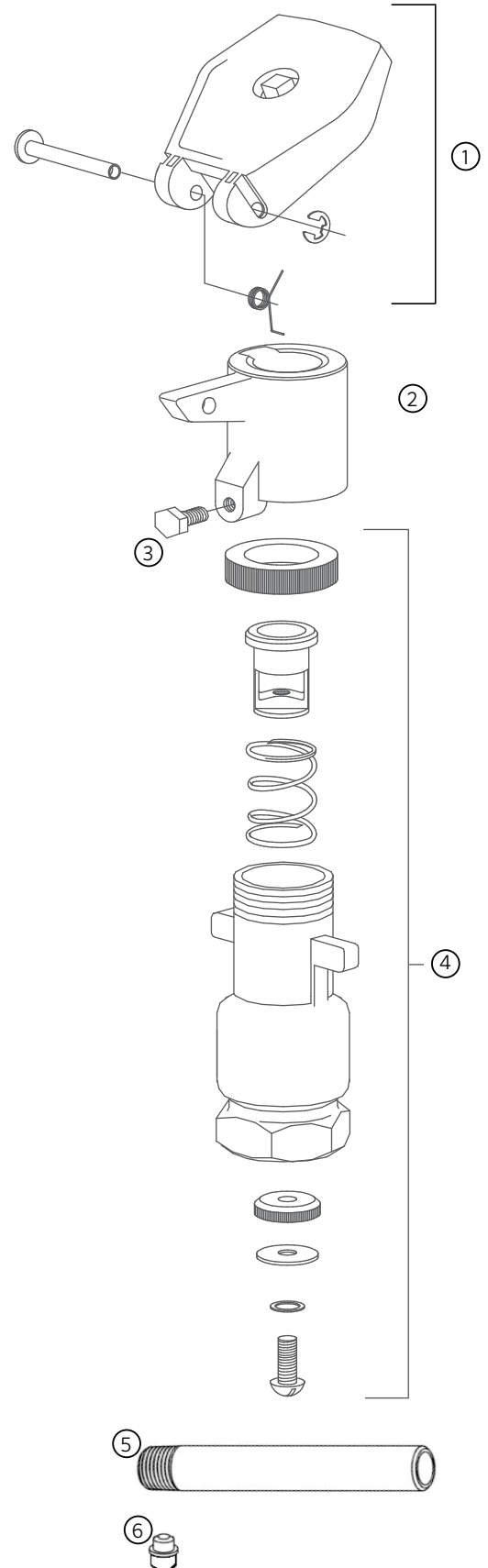
**HQ33RC, HQ33LRC, HQ33LRCR: QUICK COUPLER VALVE**

ITEM	DESCRIPTION	CATALOG NO.
1	Cover Kit	Yellow Non-Locking 150700
		Yellow Locking 158300
		Purple Locking 168000
2	Brass Upper Body Kit	169500
3	Upper Seal Kit (25 Seals)	168100
4	Complete Seal Kit (Does Not Include Brass Body)	168200



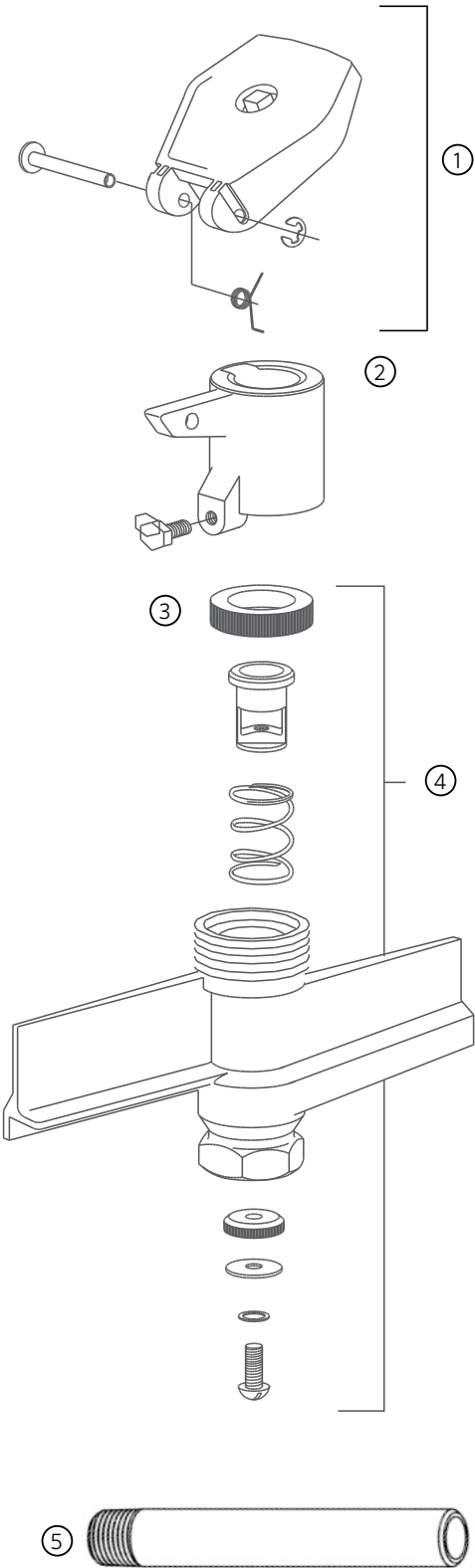
**HQ44RC, HQ44LRC, HQ44LRCR: QUICK COUPLER VALVE**

ITEM	DESCRIPTION	CATALOG NO.
1	Cover Kit	
	Yellow Non-Locking	168300
	Yellow Locking	168400
	Purple Locking	168500
2	Brass Upper Body Kit	169600
3	Upper Seal (25 Seals)	168600
4	Complete Seal Kit (Does Not Include Brass Body)	168700
5	Handle for HK44 Key (Includes 10 Handles)	169200
6	Lug for HK44 Key (Includes 10 Each)	169400



**HQ44RCAW, HQ44LRCAW, HQ44LRCAWR: QUICK COUPLER VALVE**

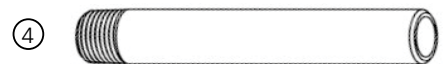
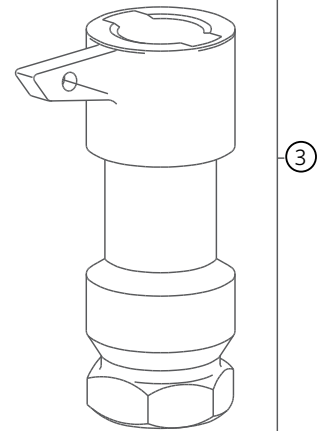
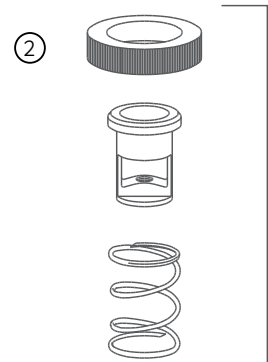
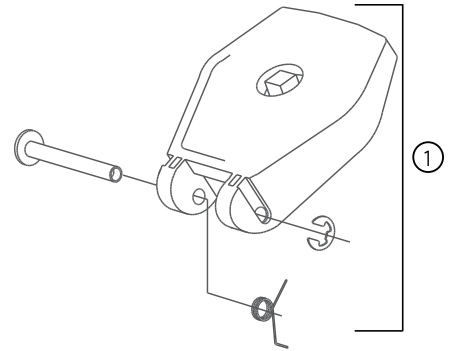
ITEM	DESCRIPTION	CATALOG NO.
1	Cover Kit	Yellow Non-Locking 168300
		Yellow Locking 168400
		Purple Locking 168500
2	Brass Upper Body Kit	169700
3	Upper Seal (25 Seals)	168600
4	Complete Seal Kit (Does not Include Brass Body)	168700
5	Handle for HK44 Key (Includes 10 Handles)	169200



# QUICK COUPLER VALVES

## HQ5RC, HQ5LRC, HQ5LRCR: QUICK COUPLER VALVE

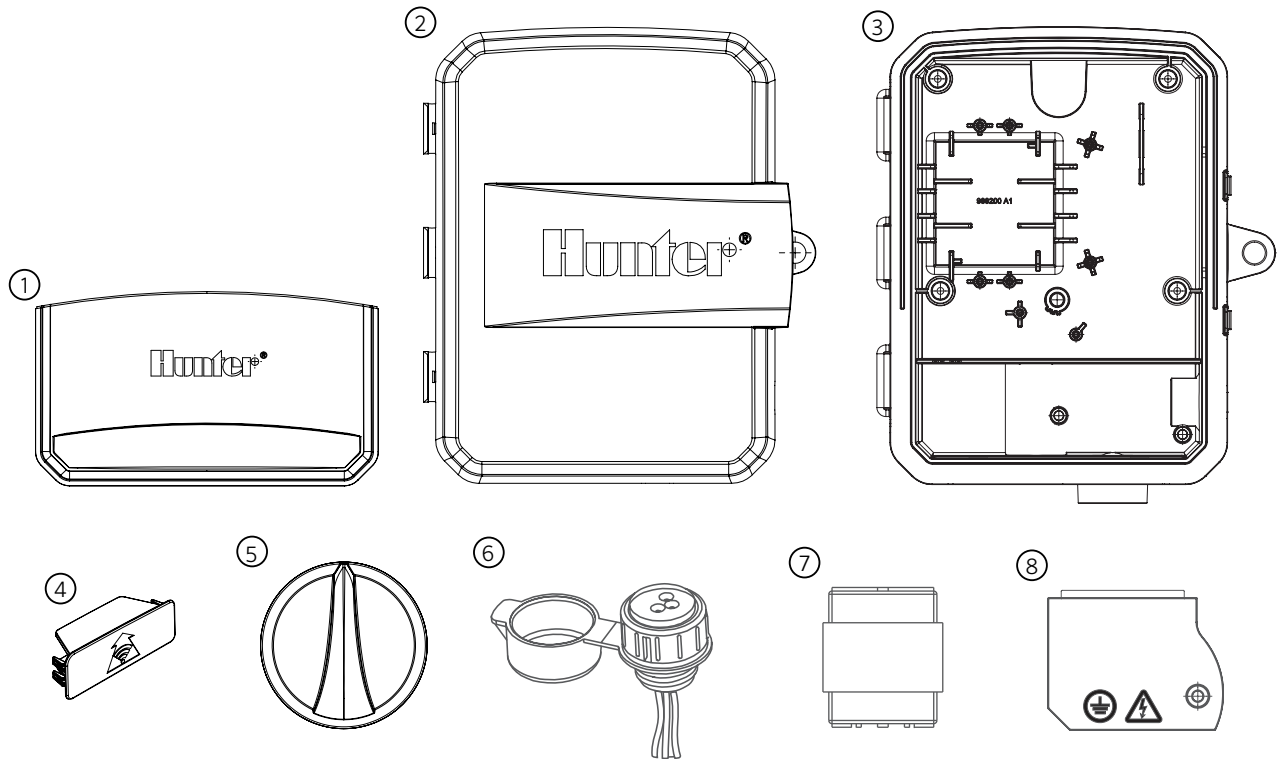
ITEM	DESCRIPTION	CATALOG NO.	
1	Cover Kit	Yellow Non-Locking	168300
		Yellow Locking	168800
		Purple Locking	168900
2	Upper Seal (25 Seals)	169000	
3	Complete Seal Kit (Does Not Include Brass Body)	169100	
4	Handle for HK55 Key (Includes 10 Handles)	169300	
5	Lug for HK55 Key (Includes 10 Each)	169400	



**X2™: WI-FI CAPABLE OUTDOOR MOUNT CONTROLLER**

ITEM	DESCRIPTION	CATALOG NO.	
1	Terminal Cover	989000SP	
2	Front Door	989100SP	
3	Rear Plastic Enclosure	989200SP	
4	Wi-Fi Cover	990200SP	
5	Dial	990300SP	
6	SmartPort® Wiring Harness	6' (1.8 m) Wire	ROAM-WH
		25' (7.6 m) Wire, Shielded	ROAM-SCWH
		120/24 VAC (U.S.)	998002SP
7	Transformer	230/24 VAC (Europe)	998000SP
		230/24 VAC (Australia)	998001SP
8	Junction Box Cover	120 VAC	10027101SP
		230 VAC	10027102SP
NS	WAND Module Owner's Manual	RC103OM	
NS	X2 Controller Quick Start Guide	RC103QG	
NS	Door Card	RC103DCX2US	

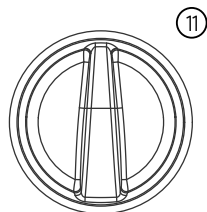
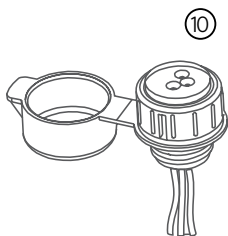
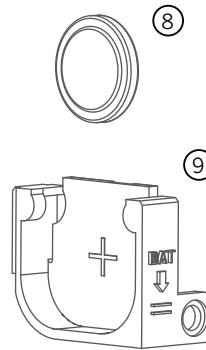
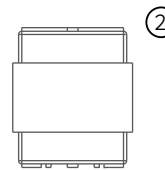
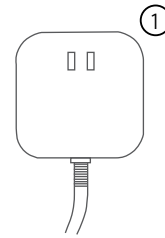
NS = Not Shown



**X-CORE®: INDOOR/OUTDOOR MOUNT CONTROLLER**

ITEM	DESCRIPTION	CATALOG NO.	
1	Indoor Transformer	120/24 VAC (U.S.)	526500
		230/24 VAC (Europe)	545700
		240/24 VAC (Australia)	545500
		230/24 VAC (Argentina)	905800
2	Outdoor Transformer	120/24 VAC (U.S.)	468000
		230/24 VAC (Europe)	545800
		240/24 VAC (Australia)	545600
3	Access Door	Indoor Model	471020
		Outdoor Model	471010
4	Front Door	428000	
5	Front Door Hinge Pin	429200	
6	Key Set (2)	122516	
7	Lock and Key Set	387300	
8	3 V Lithium Battery (CR2032)	622032	
9	Battery Holder	627800	
10	SmartPort® Wiring Harness	6' (1.8 m) Wire	ROAM-WH
		25' (7.6 m) Wire, Shielded	ROAM-SCWH
11	Dial	627300	
NS	Owner's Manual	LIT397	
NS	Door Card	LIT435	

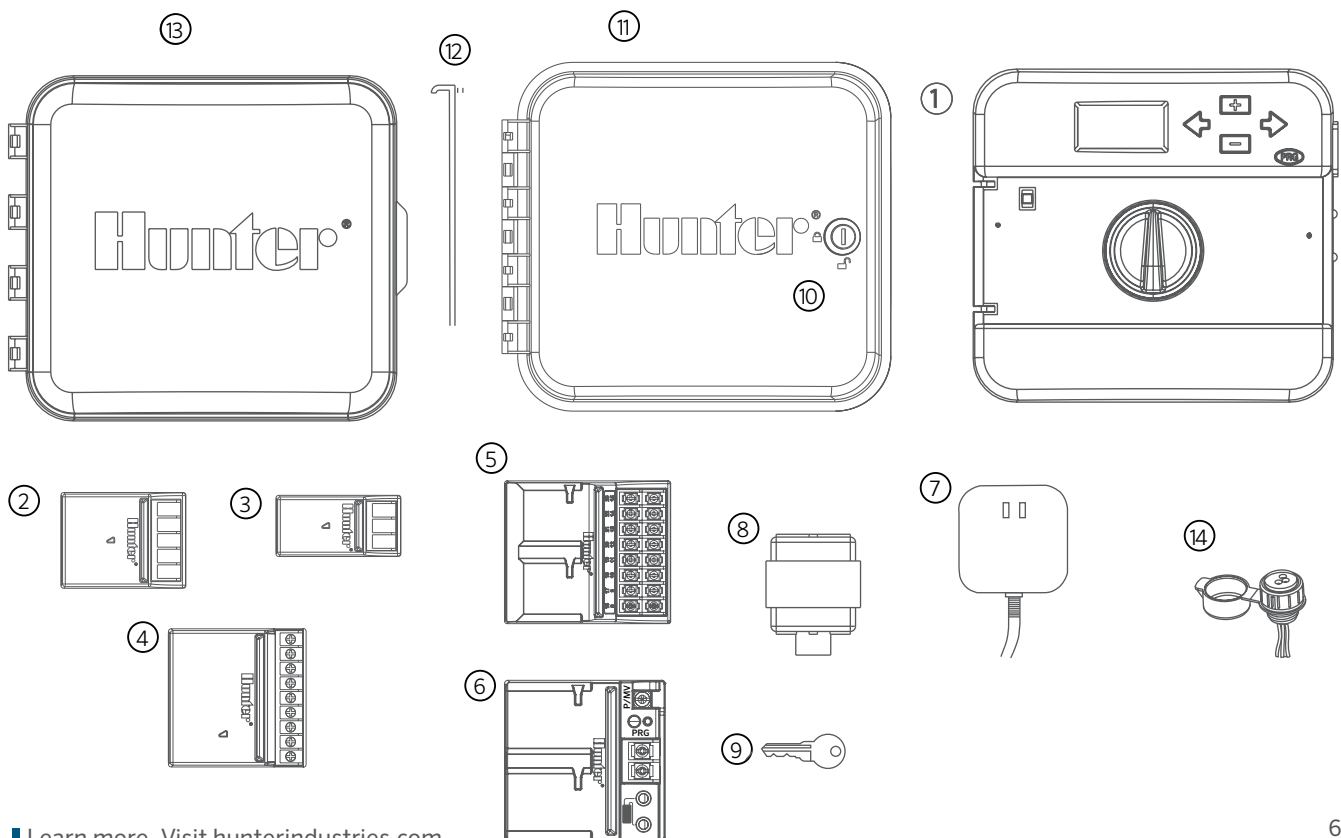
NS = Not Shown



**PRO-C®: INDOOR/OUTDOOR MOUNT CONTROLLER**

ITEM	DESCRIPTION	CATALOG NO.	
1	Front Panel – PC400	821501	
2	Main Module – New Pro-C 4-Station, Gray	820200	
NS	Ribbon Cable	819900	
3	3-Station Expansion Module	PCM-300	
4	9-Station Expansion Module	PCM-900	
5	16-Station Expansion Module	PCM-1600	
6	EZ Decoder Output Module	PC-DM	
7	Indoor Transformer	120/24 VAC (U.S.)	526500
		230/24 VAC (European)	545700
		240/24 VAC (Australian)	545500
8	Outdoor Transformer	120/24 VAC (U.S.)	468000
		230/24 VAC (European)	545800
		240/24 VAC (Australian)	545600
9	Key Set (2)	122516	
10	Lock & Key Set	387300	
11	Front Door (Without Lock)	Outdoor Unit	463100
12	Front Door Hinge Pin		464400
13	Front Door	Indoor Unit	463300
14	SmartPort® Wiring Harness	6' (1.8 m) Wire	ROAM-WH
		25' (7.6 m) Wire, Shielded	ROAM-SCWH

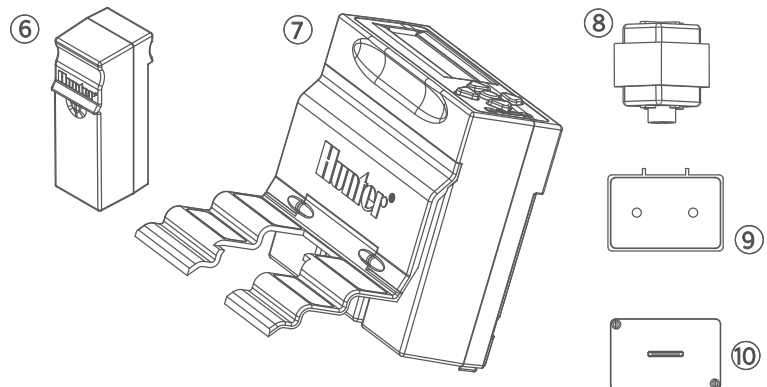
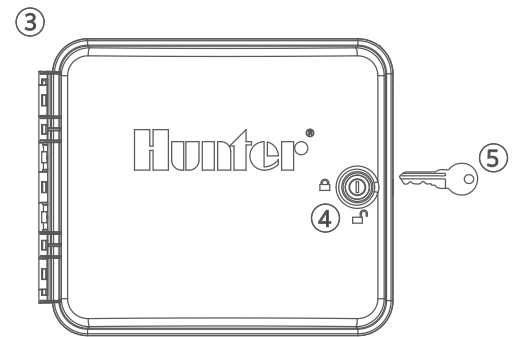
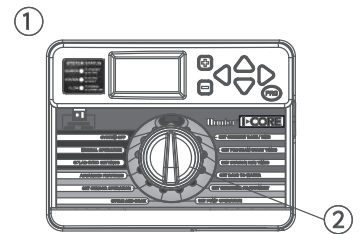
NS = Not Shown



## I-CORE®: PLASTIC CABINET

ITEM	DESCRIPTION	CATALOG NO.	
1	Front Panel	124705	
2	Knob	129300	
3	Door Without Lock, Plastic I-Core	131305	
4	Lock & Key Set	387300	
5	Key Set (2)	122516	
6	6-Station Expansion Module	ICM-600	
7	48-Station DUAL® Module	DUAL48M	
8	Transformer	981700SP	
9	Junction Box	123800	
10	Junction Box Cover	124000	
NS	Power Module (30-Station Models Only)	121405	
NS	Ribbon Cable, Plastic I-Core	130800	
NS	I-Core Mounting Template	LIT-548	
NS	Hanging Door Card	English	LIT-506
NS	Owner's Manual	English	LIT-502
		Spanish	INT-895
		French	INT-894
		Italian	INT-896
		German	INT-898
NS	International Kit (Includes Owner's Manual)	Portuguese	INT-897

NS = Not Shown

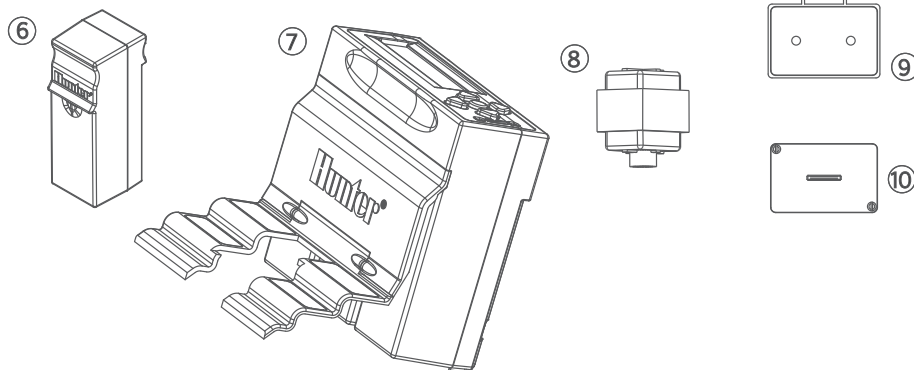
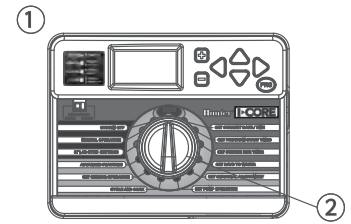




**I-CORE: METAL CABINET**

ITEM	DESCRIPTION	CATALOG NO.
1	Front Panel	124705
2	Knob	129300
3	Door Without Lock, Metal I-Core	125500
4	Lock & Key set	122516
5	Key Set (2)	122516
6	6-Station Expansion Module	ICM-600
7	48-Station DUAL Module	DUAL48M
8	Transformer	981700SP
9	Junction Box	123800
10	Junction Box Cover	124000
NS	Power Module (42-Station Models Only)	141700
NS	Ribbon Cable, Metal/Stainless I-Core	130810
NS	I-Core Mounting Template	LIT-548
NS	Hanging Door Card	English LIT-506
NS	Owner's Manual	English LIT-502
		Spanish INT-895
		French INT-894
NS	International Kit (Includes Owner's Manual)	Italian INT-896
		German INT-898
		Portuguese INT-897

NS = Not Shown



## I-CORE: PLASTIC PEDESTAL

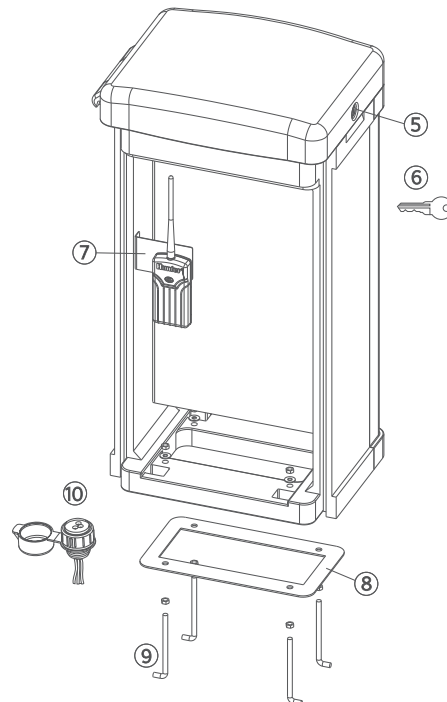
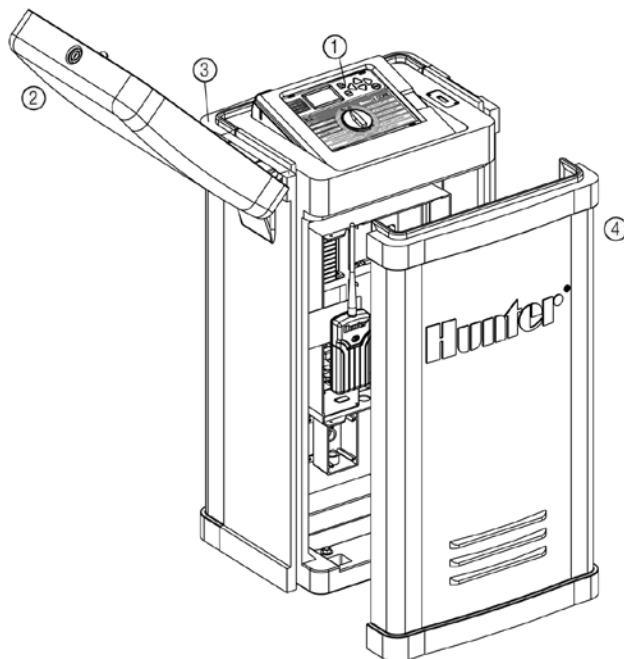
ITEM	DESCRIPTION	CATALOG NO.	
1	I-Core Front Panel	124705	
2	Lid	*552200	
3	Hinge Pin	558400	
4	Access Door	*553200	
5	Lock & Key Set	558800	
6	Key Set (2)	122516	
7	SmartPort® Bracket	576000	
8	Mounting Template	558600	
9	Mounting Hardware	420200	
10	SmartPort Wiring Harness 25' (7.6 m) Shielded Cable	ROAM-SCWH	
NS	Ribbon Cable - Plastic Ped I-Core	130815	
NS	Mounting Kit	581700	
NS	Owner's Manual	English	LIT-502
		Spanish	INT-895
NS	International Kit (Includes Owner's Manual)	French	INT-894
		Italian	INT-896
		German	INT-898
		Portuguese	INT-897
NS	Pedestal Junction Box	145415	

NS = Not Shown  
\*Limited availability

Beginning in 2017, plastic pedestals for all controllers changed to a new design. Models affected include the original ICC, I-Core, and ACC Controllers. (Note: ACC2, ICC2, and HCC Controllers have only been offered with the new design.)

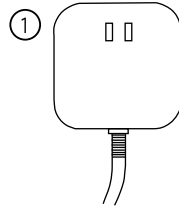
Parts for the new design are not interchangeable with the older design. Before ordering replacement parts, be sure to correctly identify which pedestal you have. While all plastic parts between the two pedestals are different, the easiest way to determine what style you have is to look at the door design:

- Old style: Air vents are located only on the bottom of the door (below the Hunter logo).
- New style: Air vents are located on the top and bottom of the door (above and below the Hunter logo).



**HC: WI-FI CONTROLLER**

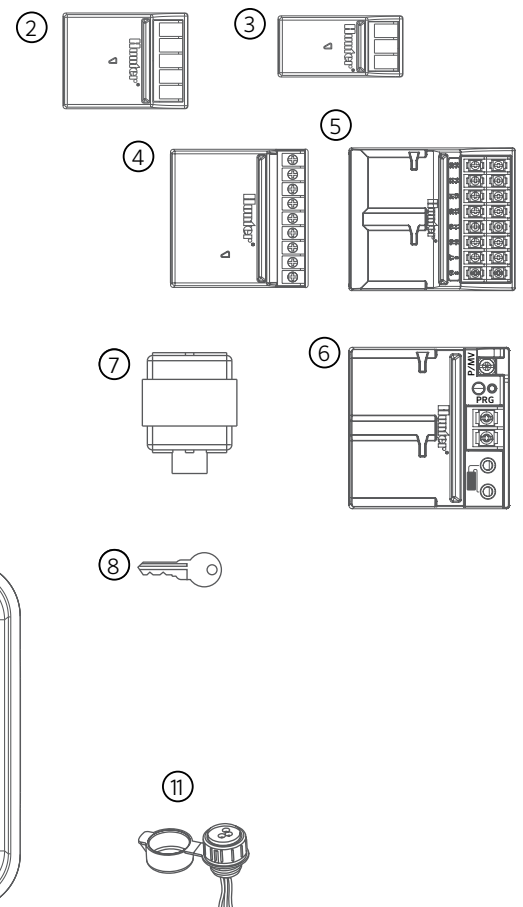
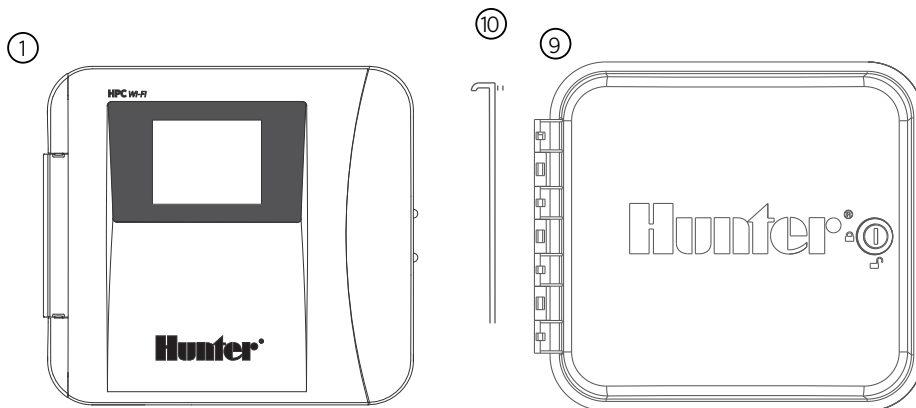
ITEM	DESCRIPTION	CATALOG NO.	
1	Indoor Transformer	120/24 VAC (U.S.)	526500
		230/24 VAC (European)	545700
		240/24 VAC (Australian)	545500



## HPC: WI-FI CONTROLLER

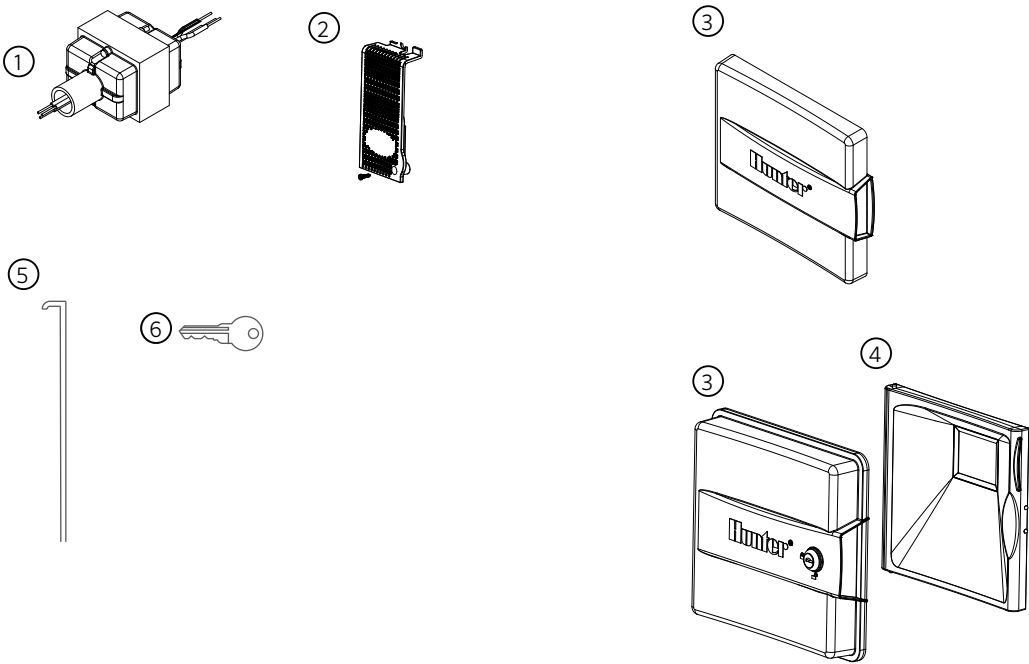
ITEM	DESCRIPTION	CATALOG NO.	
1	HPC Front Panel	HPC-FP	
2	Main Module	820200	
NS	Ribbon Cable	819900	
3	3-Station Expansion Module	PCM-300	
4	9-Station Expansion Module	PCM-900	
5	16-Station Expansion Module	PCM-1600	
6	EZ Decoder Output Module	PC-DM	
7	Outdoor Transformer	120/24 VAC (U.S.)	468000
		230/24 VAC (Europe)	545800
		240/24 VAC (Australia)	545600
8	Key Set (2)	122516	
	Lock and Key Set	387300	
9	Front Door (Without Lock) - Outdoor Unit	463100	
10	Front Door Hinge Pin	464400	
11	SmartPort® Wiring Harness	6' (1.8 m) Wire	ROAM-WH
		25' (7.6 m) Wire, Shielded	ROAM-SCWH

NS = Not Shown



**PRO-HC: WI-FI CONTROLLER**

ITEM	DESCRIPTION	CATALOG NO.	
1	Outdoor Transformer	120/24 VAC (U.S.)	468000
		230/24 VAC (European)	545800
		240/24 VAC (Australian)	545600
2	Junction Box Cover (Outdoor Model)	120/24 VAC (U.S.)	930301
		230/24 VAC (European, Australian)	930302
3	Front Door (Outdoor Model)	930700	
4	Inside Panel	930400	
5	Hinge Pin	464400	
6	Key Set (2)	122516	

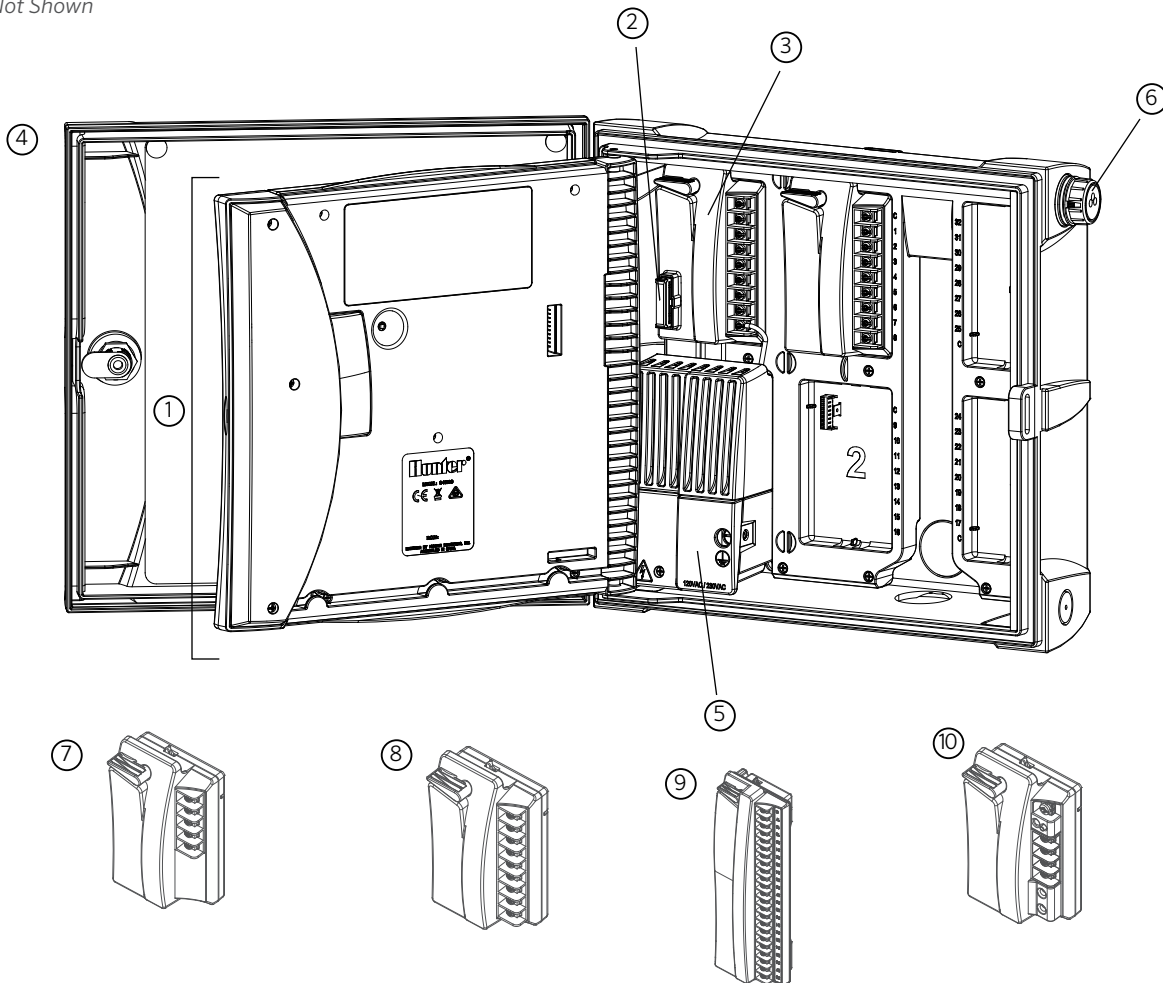


## HCC: WI-FI CONTROLLER, PLASTIC CABINET

ITEM	DESCRIPTION	CATALOG NO.	
1	Front Panel*	941500	
2	Ribbon Cable*	819901	
3	Power Module*	941800	
4	Front Door (With Lock)	917000	
NS	Lock and Key Set (Not Shown)	387300	
5	Transformer	981700SP	
6	SmartPort®	6' (1.8 m) Wire	ROAM-WH
NS	Wiring Harness	25' (7.6 m) Wire, Shielded	ROAM-SCWH
7	4-Station Output Module	ICM-400	
8	8-Station Output Module	ICM-800	
9	22-Station Output Module	ICM-2200	
10	EZ Decoder Output Module	EZ-DM	

\*Items 1 thru 3 available together in HCC Retrofit Upgrade Kit for ICC and ICC2: HCCFPUP

NS = Not Shown

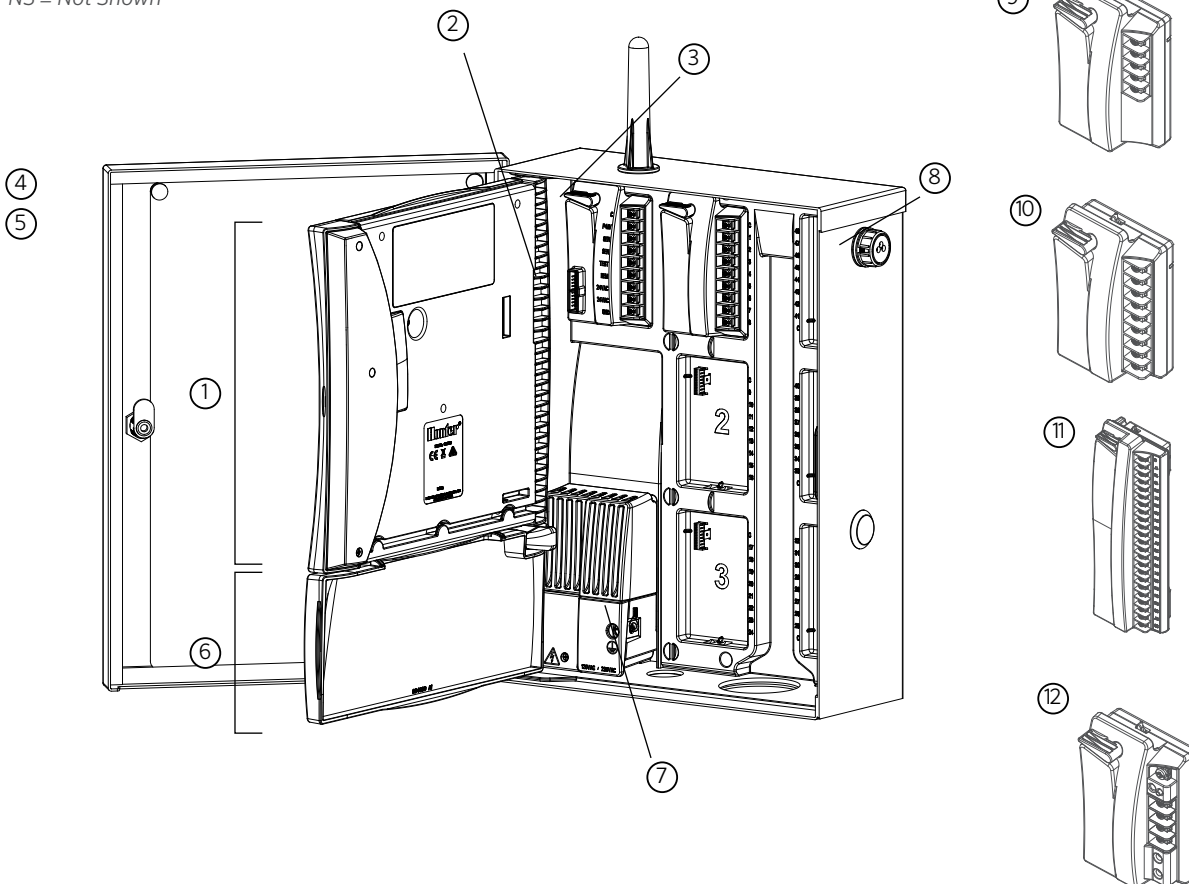


**HCC: WI-FI CONTROLLER, METAL CABINET**

ITEM	DESCRIPTION	CATALOG NO.	
1	Front Panel	941500	
2	Ribbon Cable	819901	
3	Power Module	941800	
4	Metal Front Door (With Lock)	917101	
5	Stainless Steel Front Door (With Lock)	917100	
NS	Lock and Key Set (Not Shown)	387300	
6	Inner Door	904000	
7	Transformer	981700SP	
8	SmartPort®	6' (1.8 m) Wire	ROAM-WH
NS	Wiring Harness	25' (7.6 m) Wire-Shielded	ROAM-SCWH
NS	Pedestal for Metal Wall-Mount, Gray	ICC-PED	
NS	Pedestal for Stainless Wall-Mount - SS	ICC-PED-SS	
NS	Pedestal Wiring Board for Metal Pedestals (Optional)	ICC-PWB	
9	4-Station Output Module	ICM-400	
10	8-Station Output Module	ICM-800	
11	22-Station Output Module	ICM-2200	
12	EZ Decoder Output Module	EZ-DM	

\*Items 1 thru 3 available together in HCC Upgrade Kit model: HCCFPUP

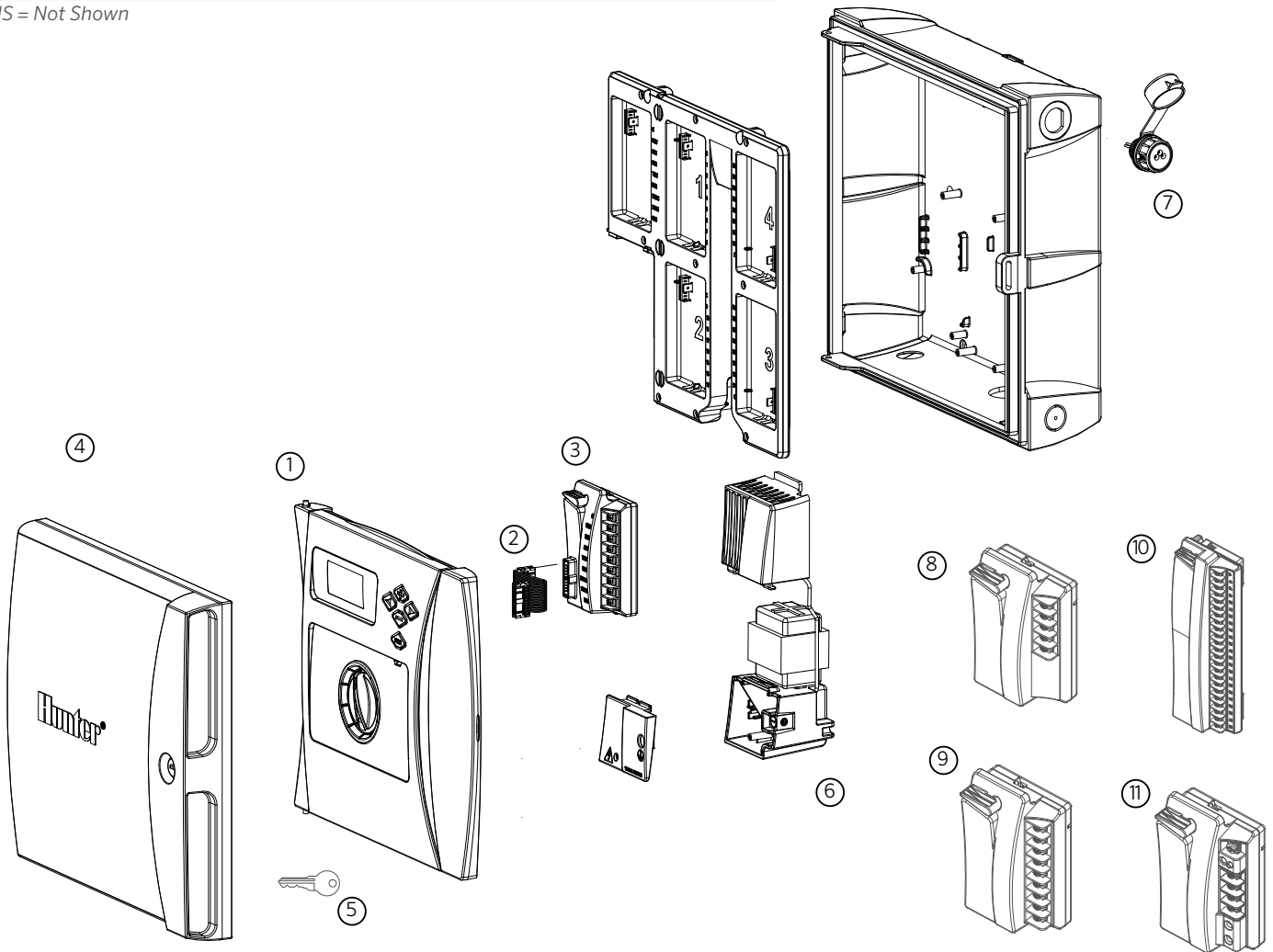
NS = Not Shown



## ICC2: PLASTIC CABINET

ITEM	DESCRIPTION	CATALOG NO.	
1	Front Panel	904700	
2	Ribbon Cable	819901	
3	Power Module	904600	
4	Front Door (with Lock)	917000	
5	Lock and Key Set	387300	
6	Transformer	981700SP	
7	SmartPort®	6' (1.8 m) Wire	ROAM-WH
NS	Wiring Harness	25' (7.6 m) Wire, Shielded	ROAM-SCWH
8	4-Station Output Module	ICM-400	
9	8-Station Output Module	ICM-800	
10	22-Station Output Module	ICM-2200	
11	EZ Decoder Output Module	EZ-DM	

NS = Not Shown

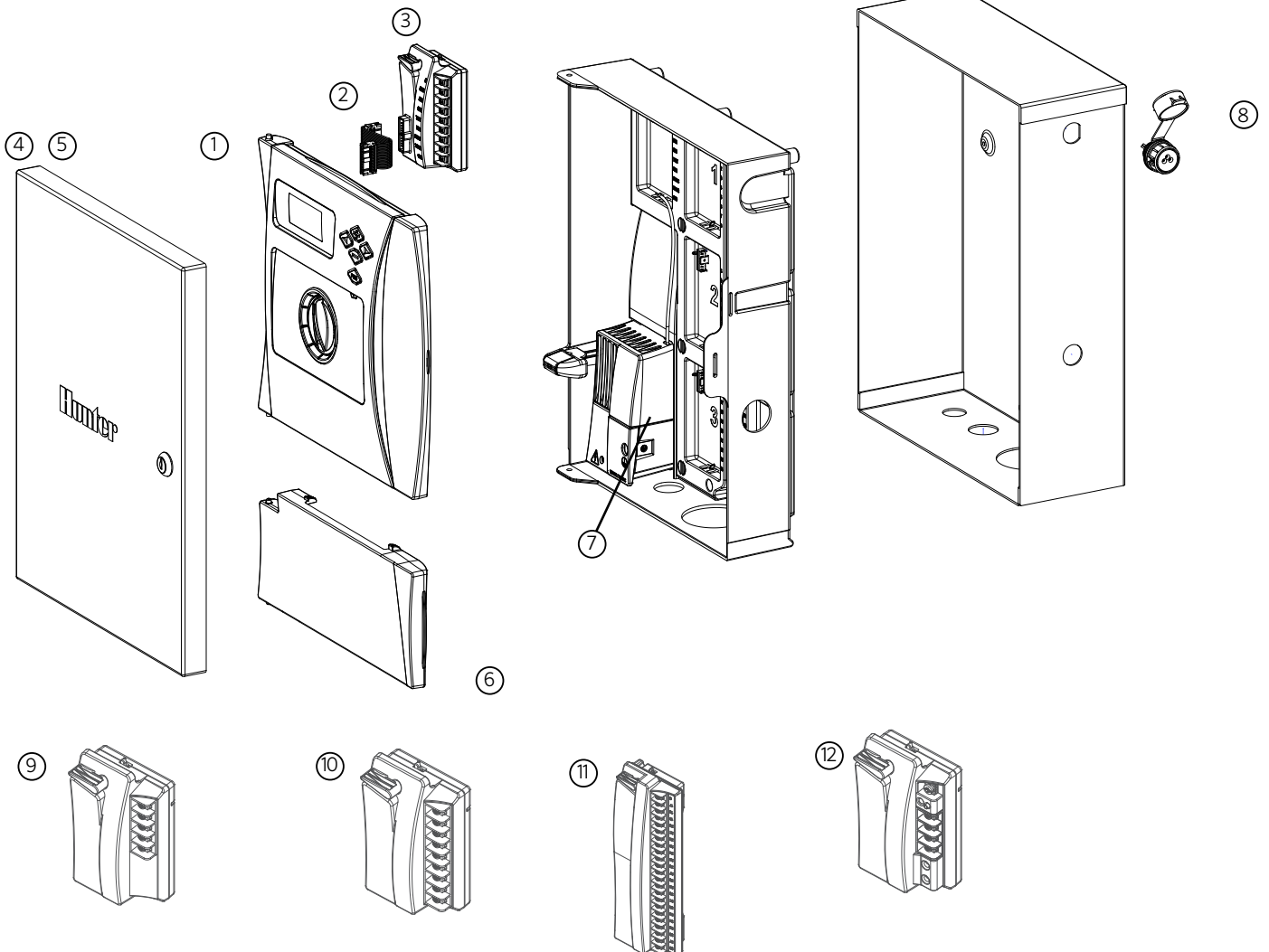




**ICC2: METAL CABINET**

ITEM	DESCRIPTION	CATALOG NO.
1	Front Panel	904700
2	Ribbon Cable	819901
3	Power Module	904600
4	Metal Front Door (With Lock)	917101
5	Stainless Steel Front Door (With Lock)	917100
NS	Lock and Key Set	387300
6	Inner Door	904000
7	Transformer	981700SP
8	SmartPort® 6' (1.8 m) Wire Wiring Harness 25' (7.6 m) Wire-Shielded	ROAM-WH ROAM-SCWH
9	4-Station Output Module	ICM-400
10	8-Station Output Module	ICM-800
11	22-Station Output Module	ICM-2200
12	EZ Decoder Output Module	EZ-DM

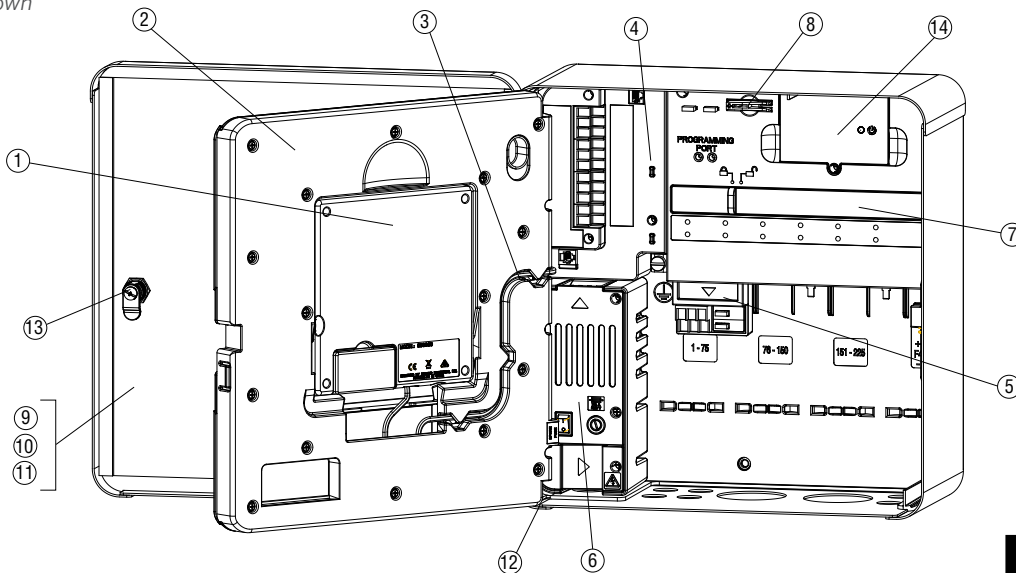
NS = Not Shown



## ACC2 DECODER REPLACEMENT PARTS A2C-75D-M, A2C-75D-P

ITEM	DESCRIPTION	CATALOG NO.
1	Replacement Facepack	889900
2	Facepack Door Frame	889300
3	Facepack Cable	892700
NS	Facepack Cable, Long (Pedestal Configurations)	892701
4	Power Supply Board	889000
5	75-Station Output Module (Decoder Version Only)	A2C-D75
6	Transformer Assembly	885600
7	Deck Assembly, Decoder (Decoder Version Only), Includes PCU Board	884301
8	ACC2 Decoder Fuse Tool	189784
9	Gray Metal Front Door Assembly, Includes Lock	893000
10	Stainless Front Door Assembly, Includes Lock	893001
11	Plastic Front Door Assembly, Includes Lock	943200
12	Hinge Pin for Plastic Door Only	800501
13	Door Lock (751 Key)	893200
NS	Wall-Mount Bracket	893400
14	PCU Board (Decoder Version Only)	925200
NS	Short Ribbon Cable for Communication Modules	10026200SP
NS	Replacement Transformer Fuses (10 Pack)	960300
NS	Hole Plug Kit (Includes Wire Nuts, Terminal Block, etc.)	968200
NS	Alternative Wall-Mount Key/Lock Assembly (701 Key)	387301
NS	Alternative Wall-Mount Key/Lock Assembly (702 Key)	387302
NS	Alternative Wall-Mount Key/Lock Assembly (703 Key)	387303
NS	Gray Metal Pedestal for Use with I-Core, ACC, and ACC2 Controllers	ACC-PED

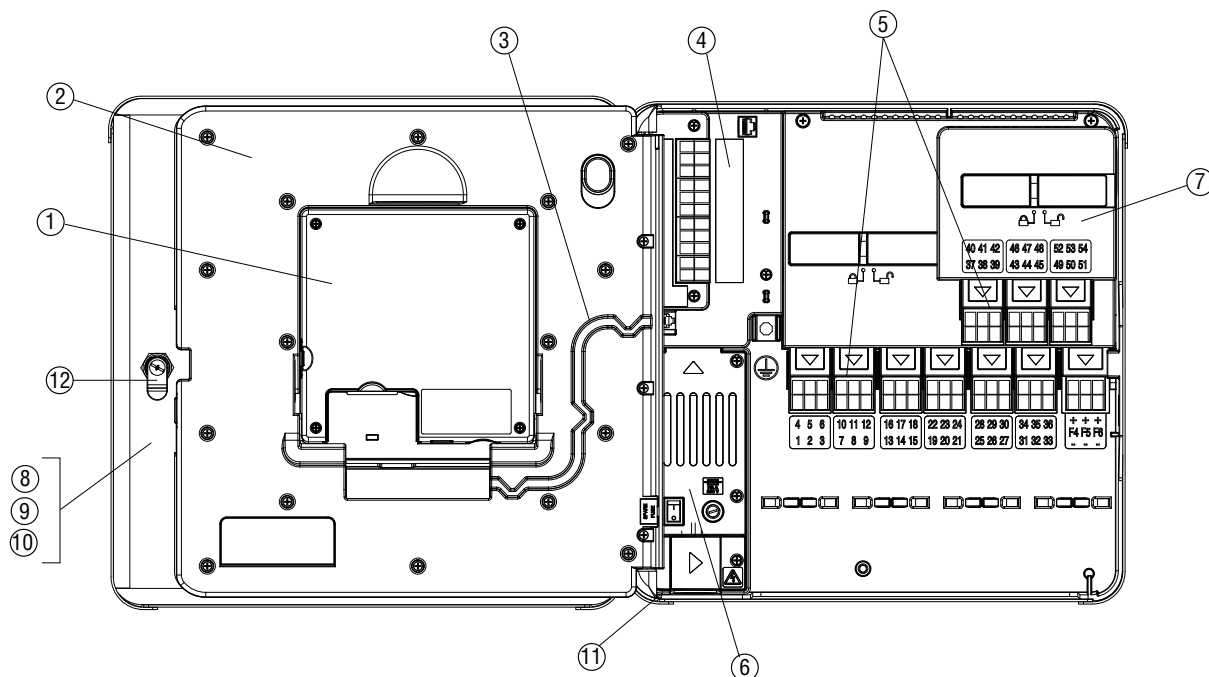
NS = Not Shown



**ACC2 CONVENTIONAL REPLACEMENT PARTS (A2C-1200-M, A2C-1200-P)**

ITEM	DESCRIPTION	CATALOG NO.
1	Replacement Facepack	889900
2	Facepack Door Frame	889300
3	Facepack Cable	892700
NS	Facepack Cable, Long (Pedestal Configurations)	892701
4	Power Supply Board	889000
5	6-Station Output Module	A2M-600
6	Transformer Assembly	885600
7	Deck Assembly, Conventional	884200
8	Gray Metal Front Door Assembly, Includes Lock	893000
9	Stainless Front Door Assembly, Includes Lock	893001
10	Plastic Front Door Assembly, Includes Lock	943200
11	Hinge Pin	800501
12	Door Lock (751 Key)	893200
NS	Short Ribbon cable for communication modules	10026200SP
NS	Wall-Mount Bracket	893400
NS	Replacement Transformer Fuses (10 Pack)	960300
NS	Hole Plug Kit (Inc. Wire Nuts, Terminal Block, etc.)	968200
NS	Alternative Wall-Mount Key/Lock Assembly (701 Key)	387301
NS	Alternative Wall-Mount Key/Lock Assembly (702 Key)	387302
NS	Alternative Wall-Mount Key/Lock Assembly (703 Key)	387303
NS	Stainless Steel Pedestal for use with I-Core, ACC, and ACC2 Controllers	PED-SS

NS = Not Shown



## PLASTIC PEDESTAL (2017 TO PRESENT)

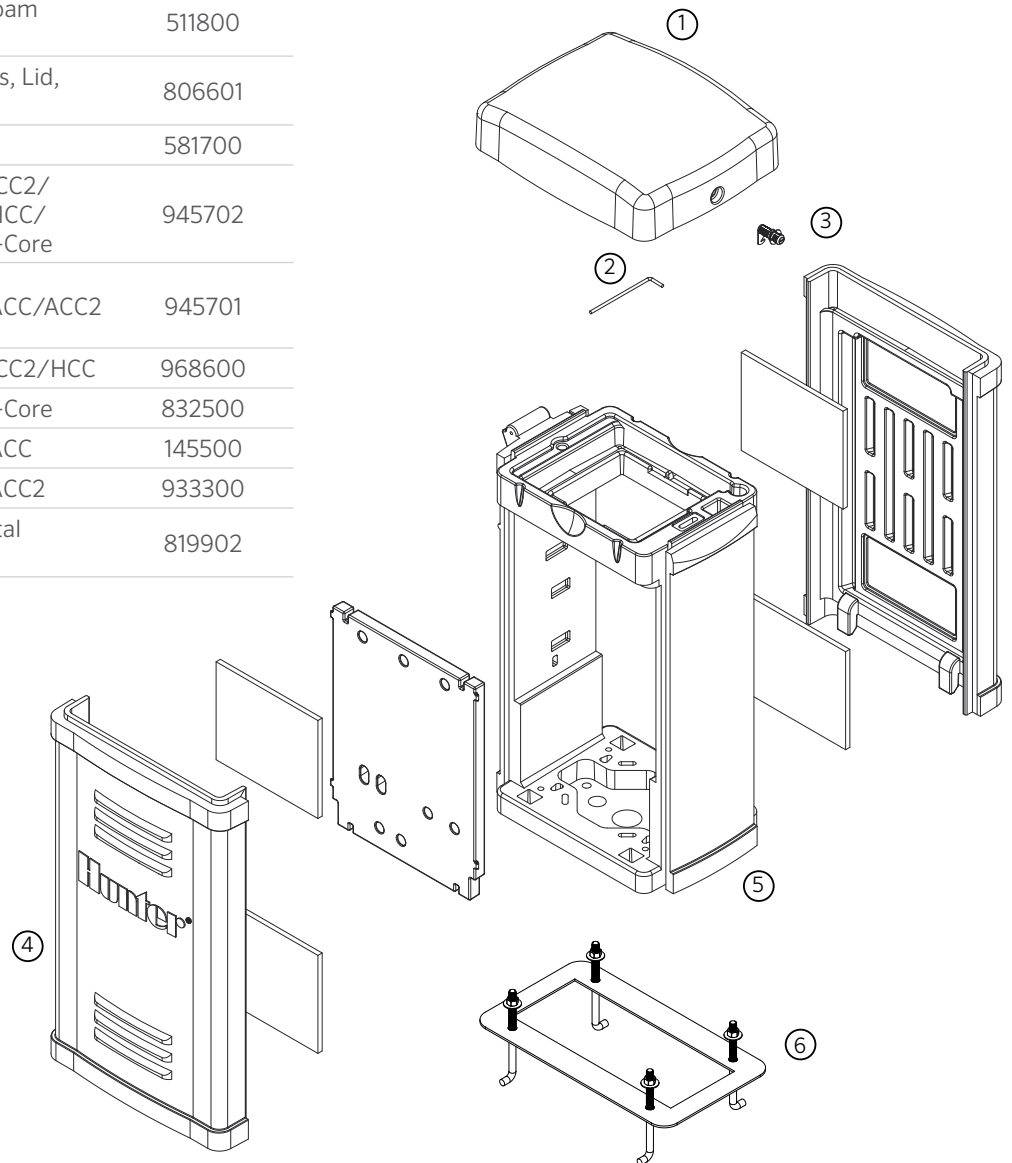
Beginning in 2017, plastic pedestals for all controllers changed to a new design. Models affected include the original ICC, I-Core, and ACC Controllers. (Note: ACC2, ICC2, and HCC Controllers have only been offered with the new design.)

Parts for the new design are not interchangeable with the older design. Before ordering replacement parts, be sure to correctly identify which pedestal you have. While all plastic parts between the two pedestals are different, the easiest way to determine what style you have is to look at the door design:

- Old style: Air vents are located only on the bottom of the door (below the Hunter logo).
- New style: Air vents are located on the top and bottom of the door (above and below the Hunter logo).

ITEM	DESCRIPTION	CATALOG NO.	
1	Lid Kit (Includes Key Lock)	512300	
2	Hinge Pin	558400	
NS	Lock & Key Set	558000	
3	Key Set (2)	122516	
4	Access Door (Includes Foam Screens)	511800	
5	Full Pedestal Shell (Doors, Lid, Divider, etc.)	806601	
6	Mounting Template Kit	581700	
NS	SmartPort® Kit (Mounting Bracket, Screws, Conduit Nut, SmartPort Assembly)	ICC2/ HCC/ I-Core	945702
		ACC/ACC2	945701
NS	Facepack Adapter	ICC2/HCC	968600
		I-Core	832500
		ACC	145500
		ACC2	933300
NS	HCC/ICC2 Plastic Pedestal Ribbon Cable	819902	

NS = Not Shown



**ACC: PEDESTAL CONTROLLER**

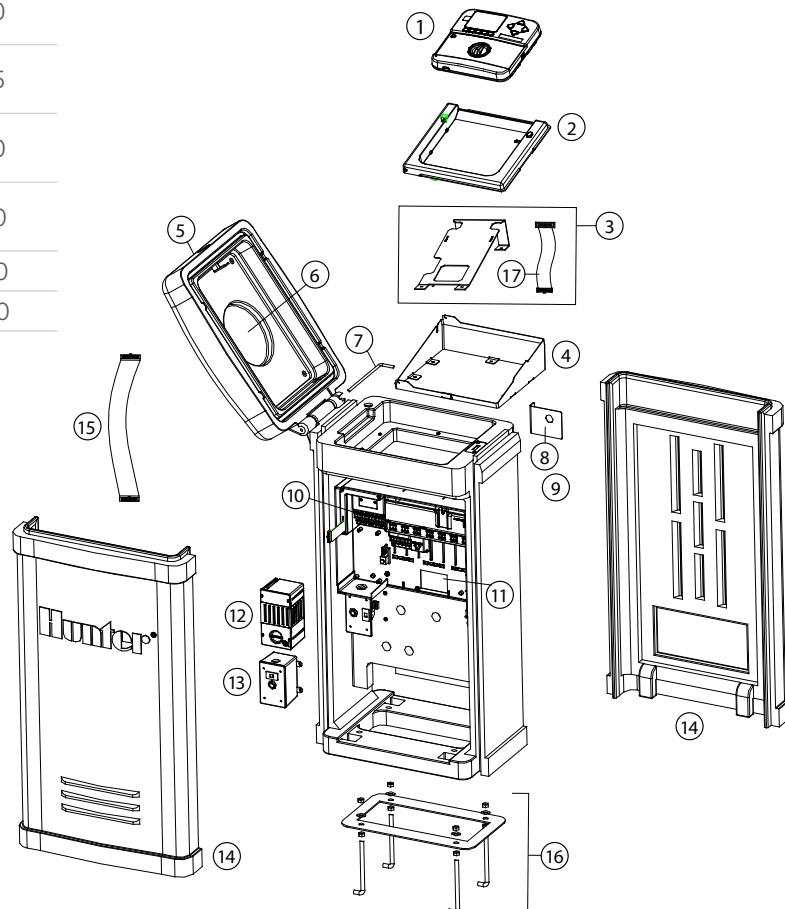
ITEM	DESCRIPTION	CATALOG NO.
1	Front Faceplate Facepack (ACC)	571500
NS	Front Facepack (AGC)	571505
2	Front Facepack Door Only	620000
3	Plastic Ped Com and Radio Bracket, Including Ribbon Cable	APPBRKT
4	Frame Adapter	145500
5	Lid, Including Lock**	553305
6	Lid Antenna for Ped, UHF	IMMSANT2
7	Lid Hinge Pin	558400
8	SmartPort® Bracket	576000
9	SmartPort Wiring Harness	112210
10	Master Module	572000
11	Decoder Output Module	ADM-99
NS	6-Station Output Module*	A2M-600
12	Transformer Assembly	587000
13	J-Box	145410
14	Pedestal Door with Screen**	553205
NS	Lock & Key Set	558000
NS	Key Set (2)	122516
NS	ACC Ped Inner Panel Cabinet With Transformer	621230
15	Ribbon, Inner Controller to Facepack Door	585105
16	Mounting Template Kit, Includes Template 558600 and Hardware 420200	581700
17	Ribbon, Extension for Com Modules in Pedestals	619900
NS	Mounting Template Only	558600
NS	Mounting Hardware Only	420200

\*Replaces ACM-600 and AGM-600, which are no longer available  
 \*\*Limited availability  
 NS = Not Shown

Beginning in 2017, plastic pedestals for all controllers changed to a new design. Models affected include the original ICC, I-Core, and ACC Controllers. (Note: ACC2, ICC2, and HCC Controllers have only been offered with the new design.)

Parts for the new design are not interchangeable with the older design. Before ordering replacement parts, be sure to correctly identify which pedestal you have. While all plastic parts between the two pedestals are different, the easiest way to determine what style you have is to look at the door design:

- Old style: Air vents are located only on the bottom of the door (below the Hunter logo).
- New style: Air vents are located on the top and bottom of the door (above and below the Hunter logo).

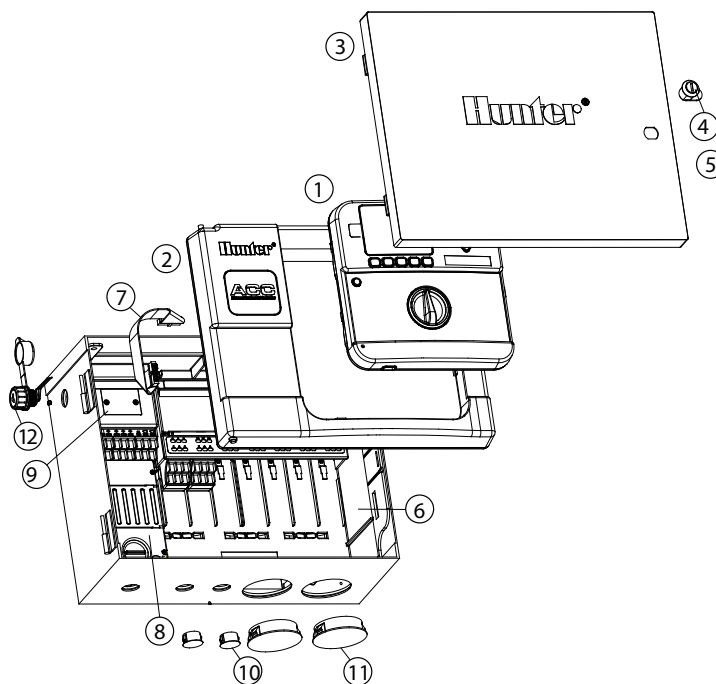


## ACC: WALL-MOUNT CONTROLLER

ITEM	DESCRIPTION	CATALOG NO.
1	Front Faceplate Facepack	571500
2	Front Facepack Door Frame	589000
3	Metal Front Door Without Lock	585500
4	Lock & Key Set	387300
5	Key Set (2)	122516
6	Shell Kit, Includes Metal Cabinet, Plastic Backplane, Transformer, and Master Module*	ACCSHELLKIT
7	Door Ribbon Cable (Wall-Mount Only)	585100
8	Transformer Assembly	587000
9	Master Module	572000
10	Small Hole Plug	654400
11	Large Hole Plug	654500
12	SmartPort® Assembly, Including Nut	112200

\*Replaces part 586005, which is no longer available

\*\*Replaces ACM-600 and AGM-600, which are no longer available

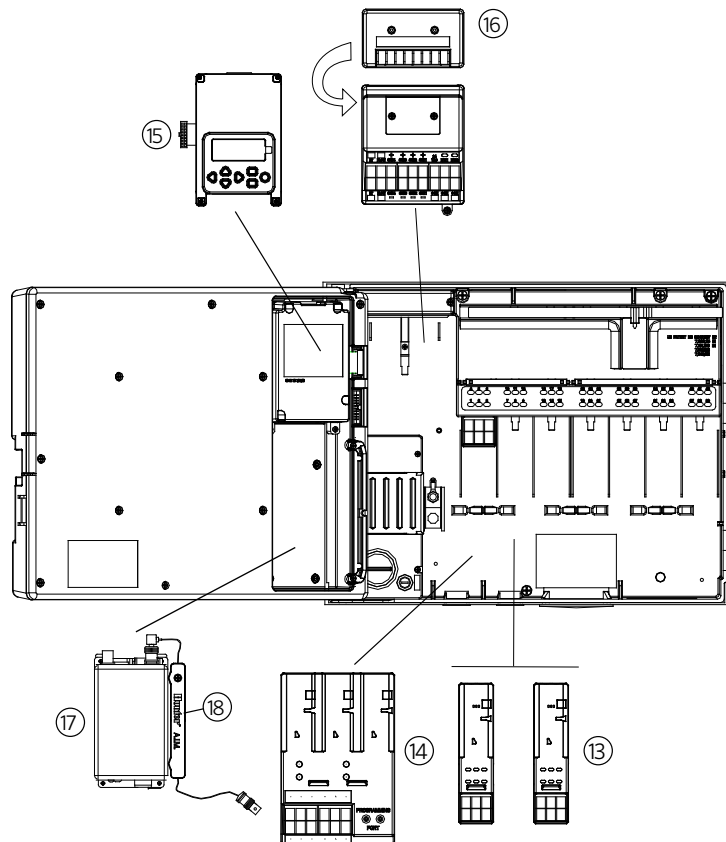


**COMMUNICATIONS MODULES AND PARTS**

ITEM	DESCRIPTION	CATALOG NO.
13	6-Station Output Module**	A2M-600
14	Decoder Output Module	ADM-99
	Com Module for Dial-Up (POTS)	N/A
15	Com Module for Radio and Hardwire Only	ACC-COM-HWR
	Com Module for Ethernet	ACC-COM-LAN
	Com Module for LTE Cellular	ACC-COM-LTE
16	Hardwire Interface Module	ACC-HWIM
NS	Antenna for GSM or GPRS (U.S.)	666251
NS	Antenna for GSM or GPRS (International)	666261
17	UHF Radio (No Antenna)	RAD3
18	Antenna Isolation Module	AIM-BNC

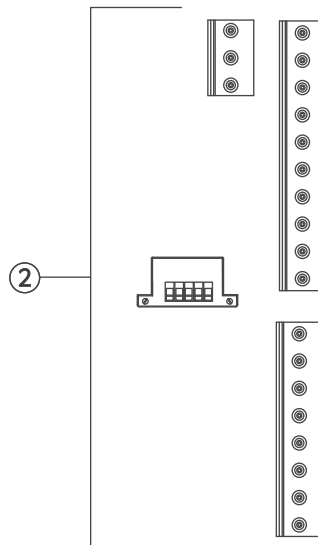
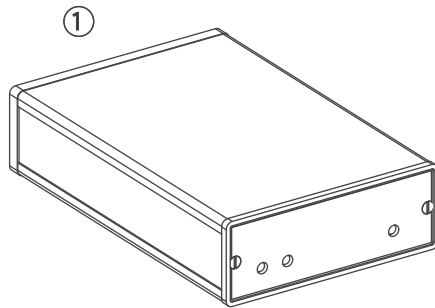
NS = Not Shown

\*\*Replaces ACM-600 and AGM-600, which are no longer available



## IMMS-CCC: IRRIGATION MANAGEMENT AND MONITORING SYSTEM

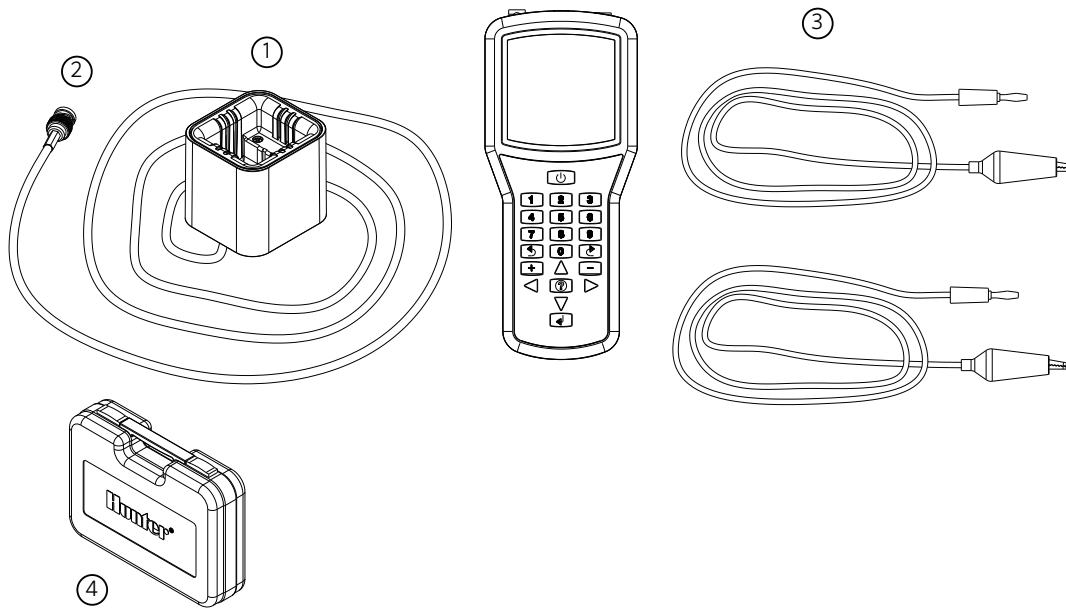
ITEM	DESCRIPTION	CATALOG NO.	
1	Central Computer Communications Unit (Includes Items 1 & 3)	U.S.	IMMS-CCC
		International	IMMS-CCC-E
		AU/NZ	IMMS-CCC-A
2	Terminal Plugs (1 CCC GCBL & 1 Set of Interface Plugs)	629800	





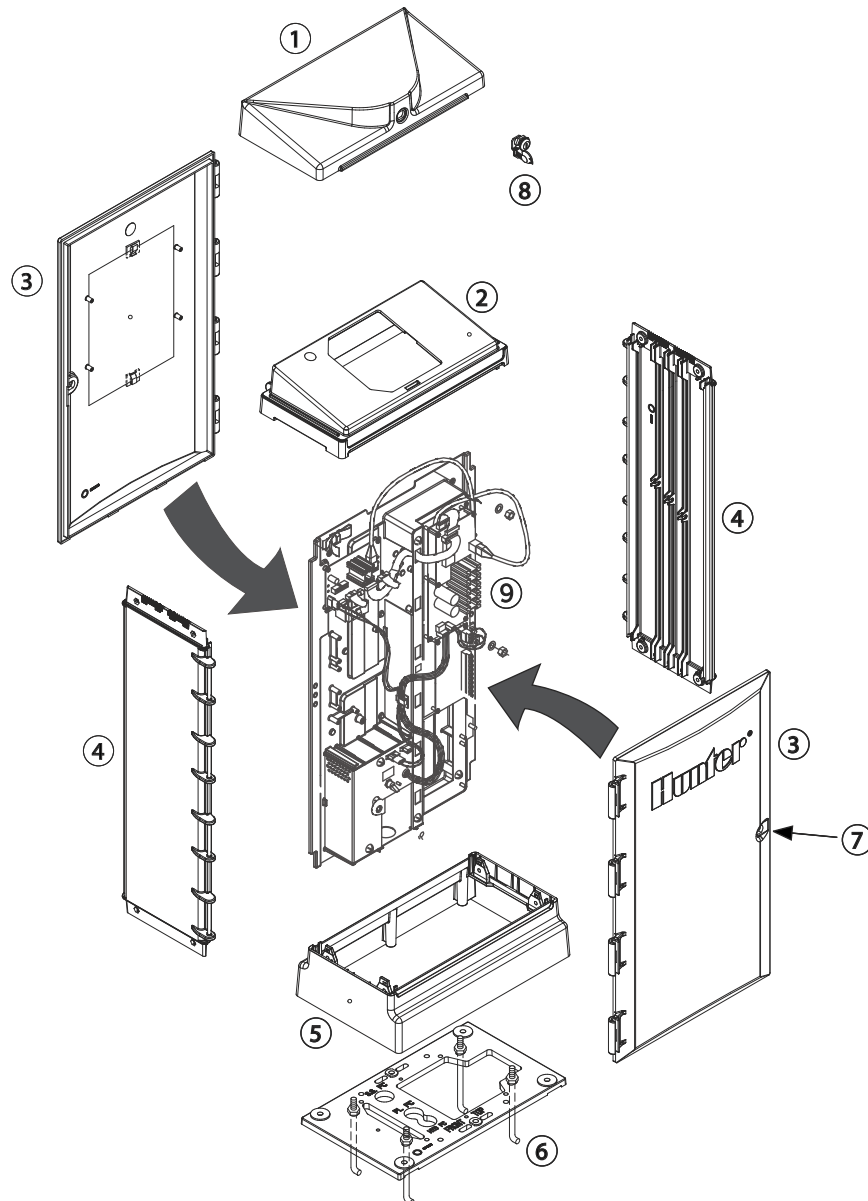
**ICD-HP COMPONENTS**

ITEM	DESCRIPTION	CATALOG NO.
1	Programming Cup	177600
2	Programming Cable 6' (1.8 m) With Connectors	180504
3	Red and Blue 6' (1.8 m) Leads	180508
4	Carrying Case	205800



**IDS: PLASTIC PEDESTAL**

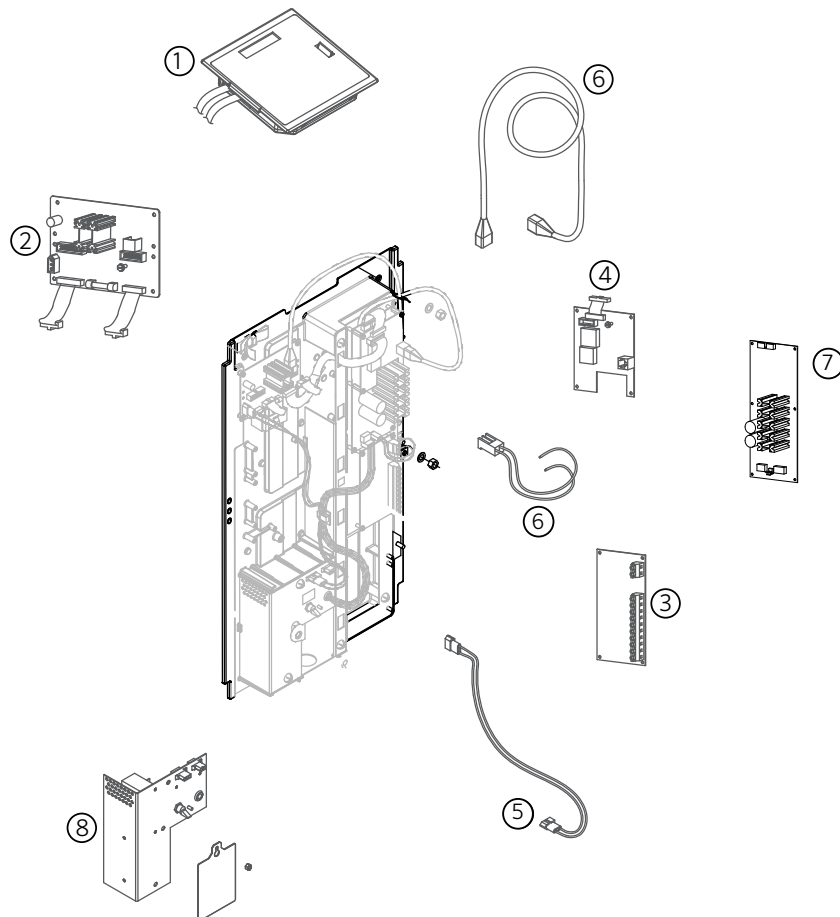
ITEM	DESCRIPTION	CATALOG NO.
1	Lid Kit	FCPLKT
2	Cap Kit	FCPCKT
3	Door Kit (1 per Kit)	FCPDKT
4	Side Kit	FCPSKT
5	Base Kit	FCPBKT
6	Template Kit	TEMPLT2
7	Lock Assembly, Door	FCPDLKT
8	Lock Assembly, Lid	FCPLLKT
9	Plastic Backplane for Mounting Electronic Components (Also Rear Panel of Wall-Mount, Includes Gasket Tape - No Components)	BACKPLANEKT



**IDS: CONTROLLER COMPONENTS**

ITEM	DESCRIPTION	CATALOG NO.
1	IDS Facepack Kit	IDSKTFP
2	Decoder Power Supply Board Kit	VKTPSB2
3	Decoder Lightning/Output Board	VLPTKT
4	Decoder CPU Board	VCPUKT
NS	RJ45 Cable	516238
NS	IDS Instruction Card/Zone Label Inside Door	562242
5	Power Supply Board Wire Harness	516140
NS	IDS Controller Manual	LIT-376
6	Transmitter Cable	516143
7	Viking Transmitter Board	VTRNSKT
TRANSFORMER OPTIONS		
8	Decoder Transformer Kit 110 VAC (Plastic and S Series)	FCPVKTTFR2

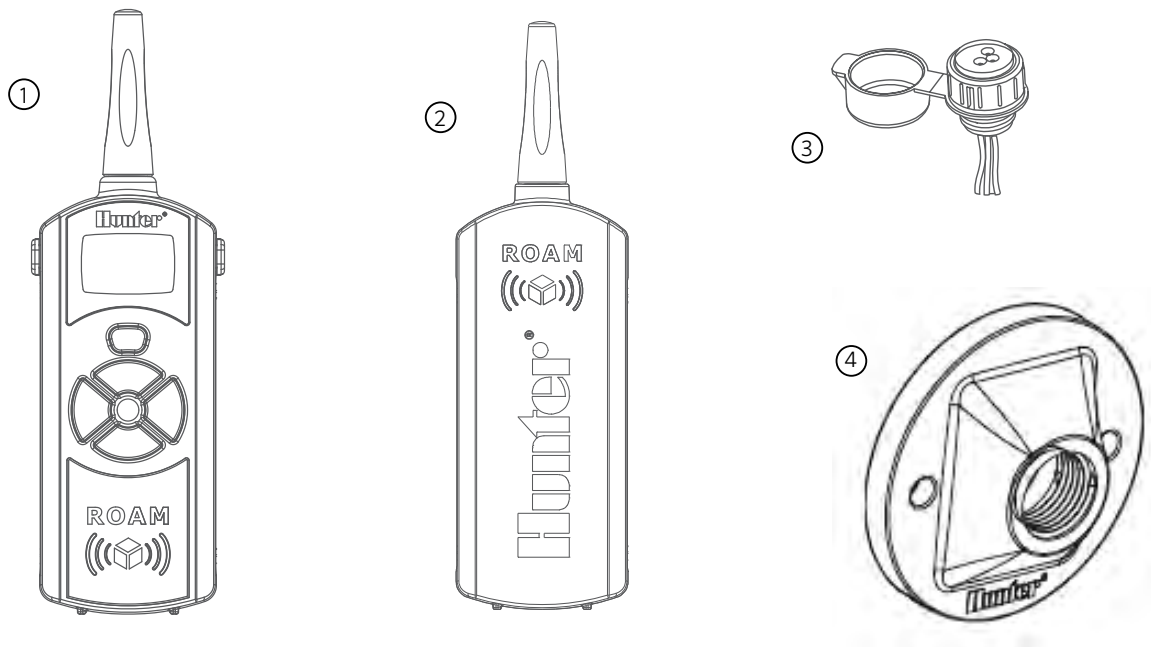
NS = Not Shown



**ROAM: REMOTE CONTROL UNIT**

ITEM	DESCRIPTION	CATALOG NO.	
1	ROAM Transmitter	ROAM-TR	
2	ROAM Receiver	ROAM-R	
3	SmartPort® Wiring Harness	6' (15 cm) Wire	ROAM-WH
		25' (7.6 m) Wire, Shielded	ROAM-SCWH
4	SmartPort Wall-Mount Bracket	258200	
NS	Owner's Manual	English	LIT-477

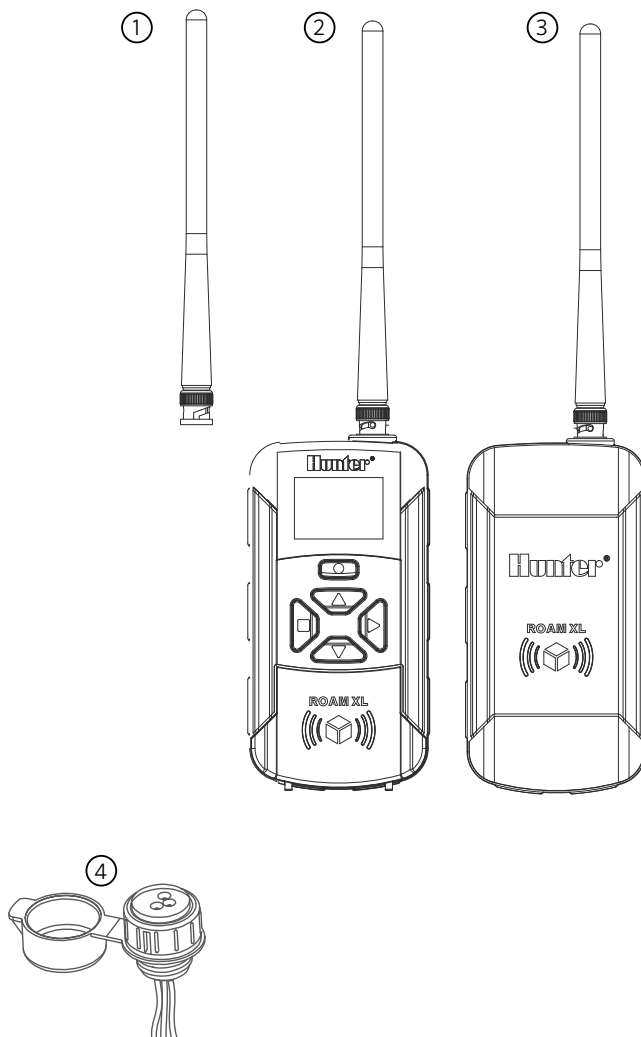
NS = Not Shown



**ROAM XL: REMOTE CONTROL UNIT**

ITEM	DESCRIPTION	CATALOG NO.	
1	ROAM XL Antenna	522701	
2	ROAM XL Transmitter	ROAM-XL-TR	
3	ROAM XL Receiver	ROAM-XL-R	
4	SmartPort® Wiring Harness	6' (1.8 m) Wire	ROAM-WH
		25' (7.6 m) Wire, Shielded	ROAM-SCWH
NS	ROAM XL Antenna Extension Kit	ROAMXL-EXT	

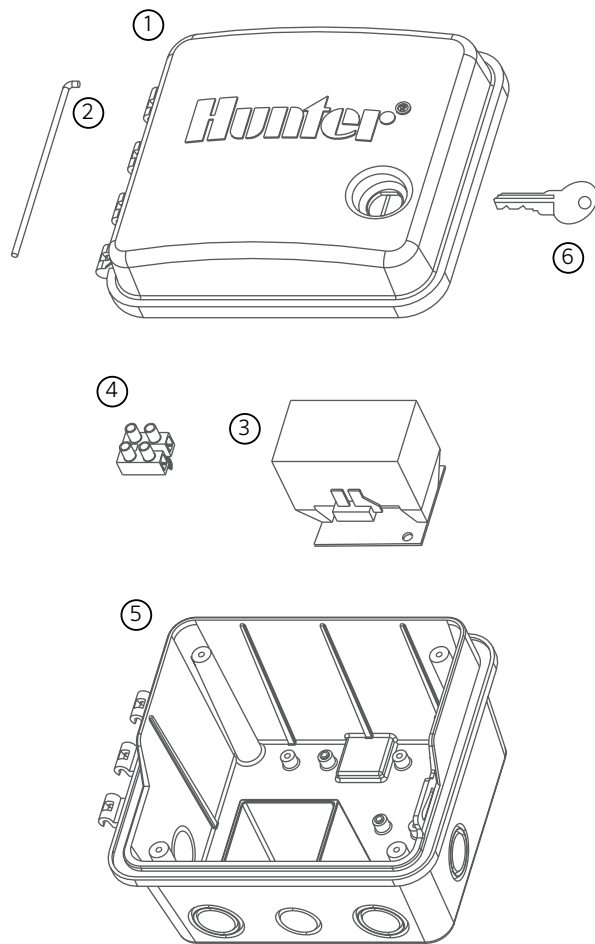
NS = Not Shown



## PSR: PUMP START RELAY

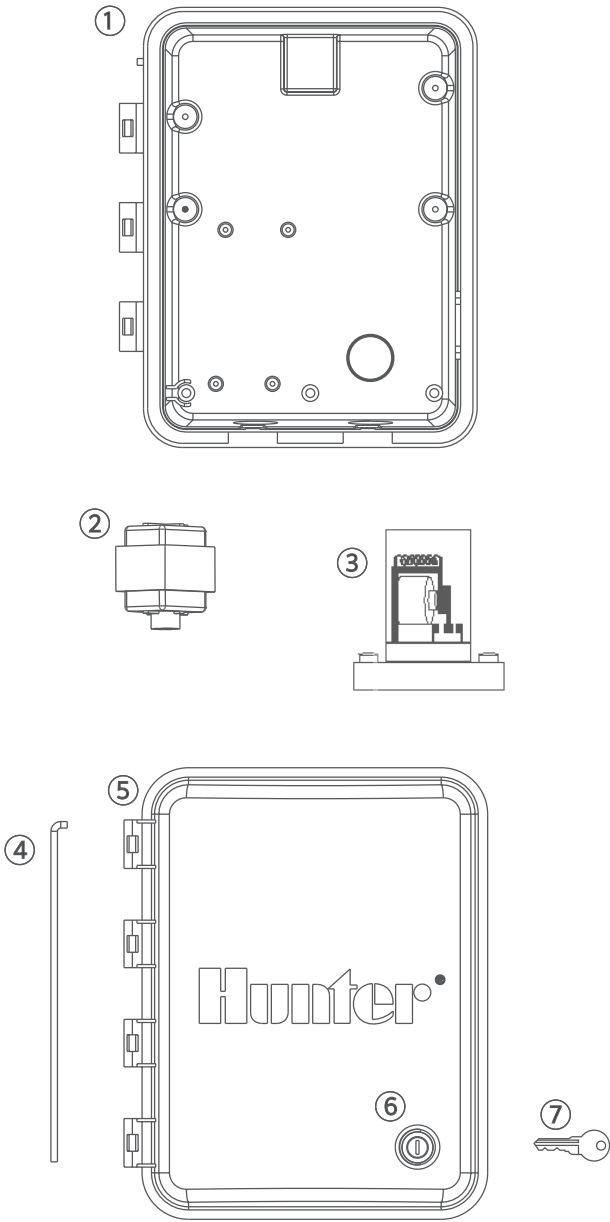
ITEM	DESCRIPTION	CATALOG NO.
1	Door Without Lock	468800
2	Door Hinge Pin	469000
3	Contactors PSR-22	469201
4	Grounding Block	501600
5	Cabinet	468700
6	Key Set (2)	122516
NS	Lock & Key Set	387300

NS = Not Shown



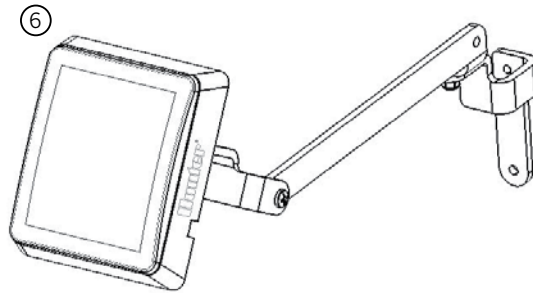
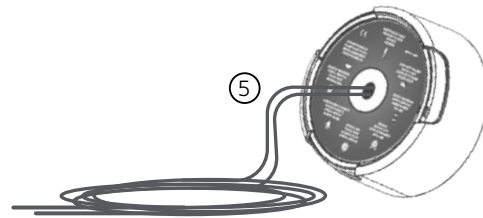
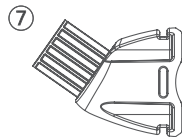
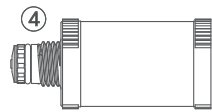
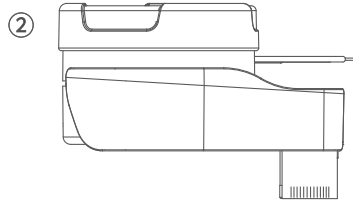
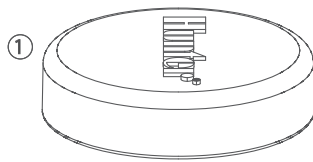
**PSR-B: PUMP START RELAY BOOSTER**

ITEM	DESCRIPTION	CATALOG NO.
1	Cabinet	527100
2	Transformer (Dual Voltage 110/220 24 V 40 VA)	981700SP
3	Heavy-Duty DPDT Relay	REL2
4	Door Hinge Pin	429200
5	Front Door	428000
6	Lock & Key Set	387300
7	Key Set (2)	122516



## NODE: BATTERY-POWERED CONTROLLER

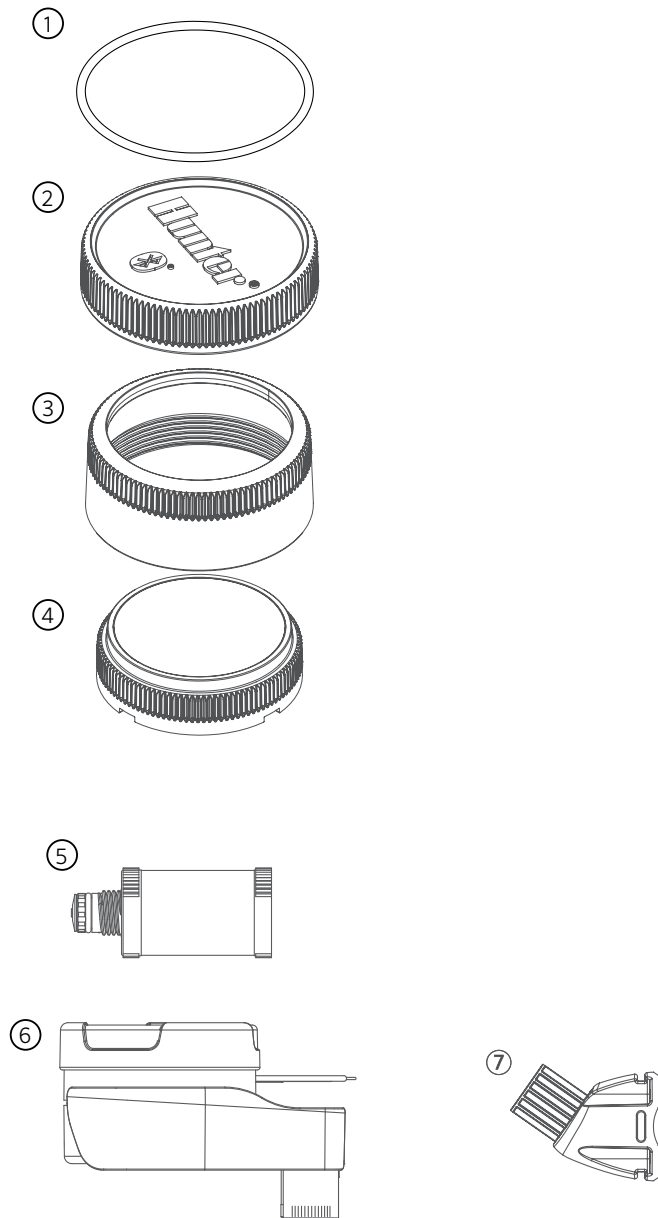
ITEM	DESCRIPTION	CATALOG NO.
1	Rubber Cover	297100
2	Tray Holder	881600
3	O-Ring	252105
4	DC-Latching Solenoid	458200
5	Solar Battery Charger	517500
6	Solar Panel With Mounting Assembly	517300
7	Mounting Adapter	951500





**NODE-BT: BLUETOOTH® BATTERY-POWERED CONTROLLER**

ITEM	DESCRIPTION	CATALOG NO.
1	O-Ring	966600SP
2	Rubber Cover	967200SP
3	Endcap Battery Cover	966800SP
4	Endcap Battery Ring	967100SP
5	DC-Latching Solenoid	458200
6	Tray Holder	881600
7	Mounting Adapter	951500

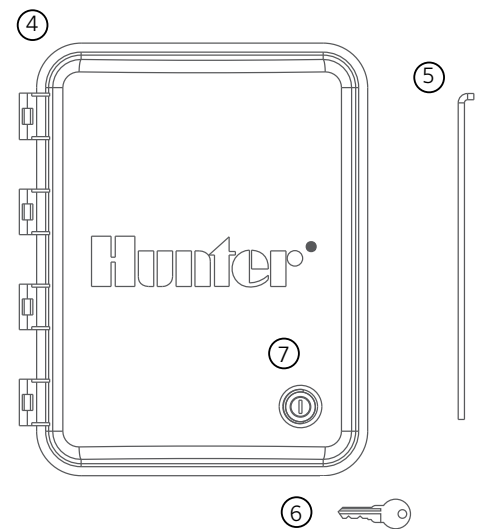
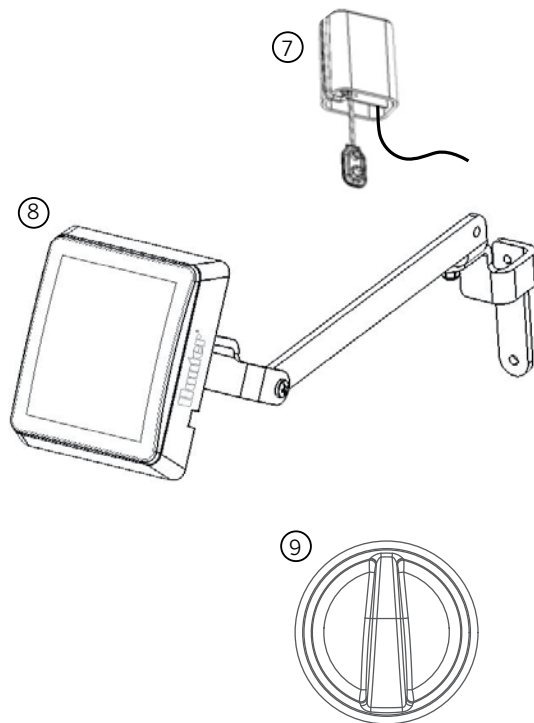
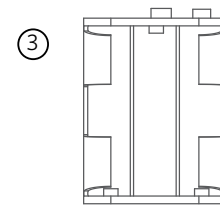
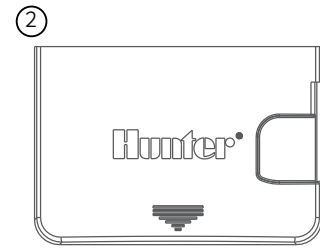
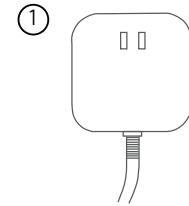


The Bluetooth® word mark and logos are registered trademarks owned by Bluetooth SIG Inc. and any use of such marks by Hunter Industries is under license.

## XC HYBRID: MOUNTED BATTERY-POWERED PLASTIC CONTROLLER

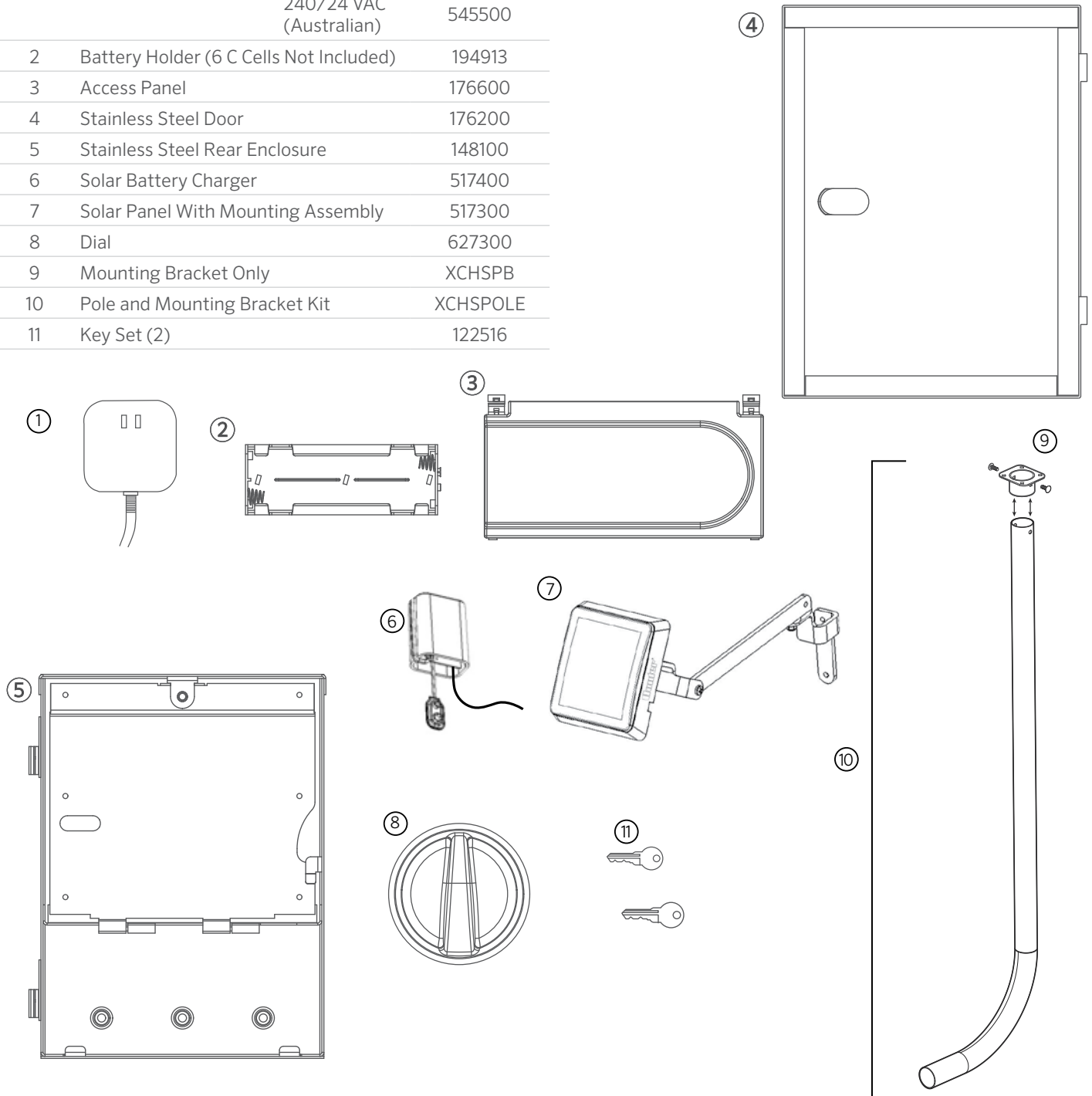
ITEM	DESCRIPTION	CATALOG NO.	
1	Indoor Transformer (Optional)	120/24 VAC (U.S.)	526500
		230/24 VAC (European)	545700
		240/24 VAC (Australian)	545500
2	Access Door	Outdoor Model	471010
3	Battery Holder (6AA Not Included)		152200
4	Front Door		428000
5	Front Door Hinge Pin		429200
6	Key Set (2)		122516
NS	Lock & Key Set		387300
7	Solar Battery Charger		517400
8	Solar Panel With Mounting Assembly		517300
9	Dial		627300

NS = Not Shown



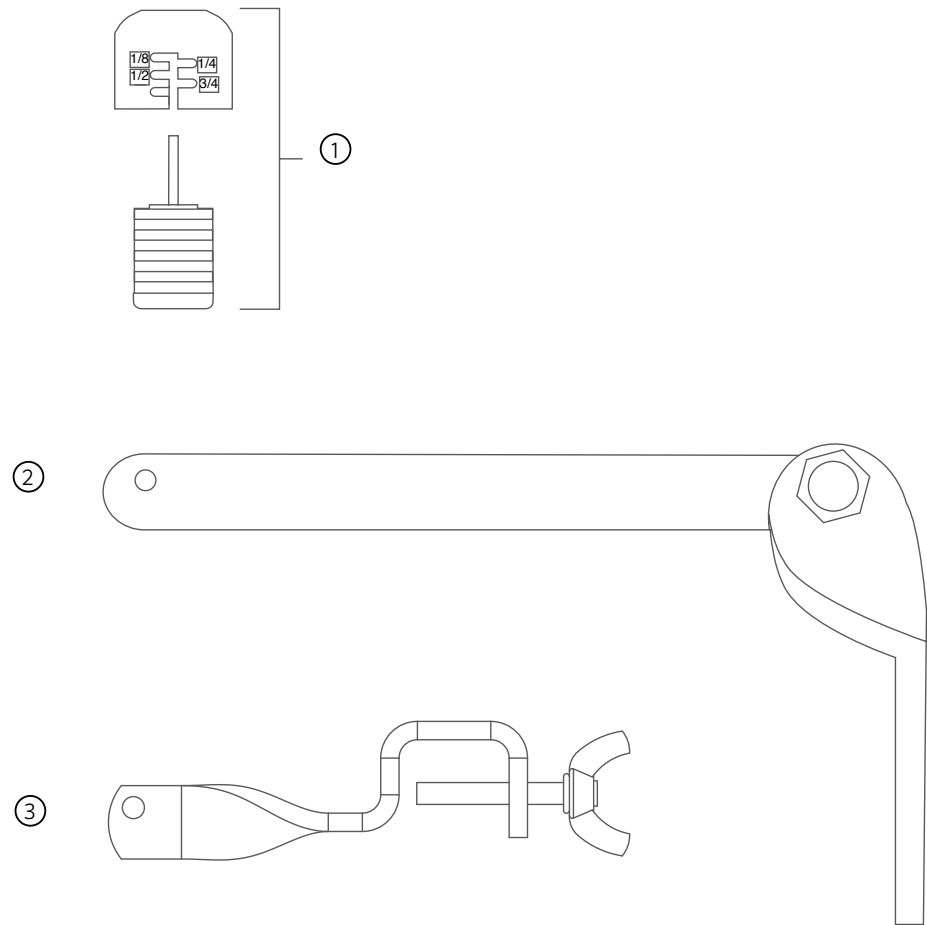
**XC HYBRID: MOUNTED BATTERY-POWERED STAINLESS STEEL CONTROLLER**

ITEM	DESCRIPTION	CATALOG NO.	
1	Indoor Transformer (Optional)	120/24 VAC (U.S.)	526500
		230/24 VAC (European)	545700
		240/24 VAC (Australian)	545500
2	Battery Holder (6 C Cells Not Included)	194913	
3	Access Panel	176600	
4	Stainless Steel Door	176200	
5	Stainless Steel Rear Enclosure	148100	
6	Solar Battery Charger	517400	
7	Solar Panel With Mounting Assembly	517300	
8	Dial	627300	
9	Mounting Bracket Only	XCHSPB	
10	Pole and Mounting Bracket Kit	XCHSPOLE	
11	Key Set (2)	122516	



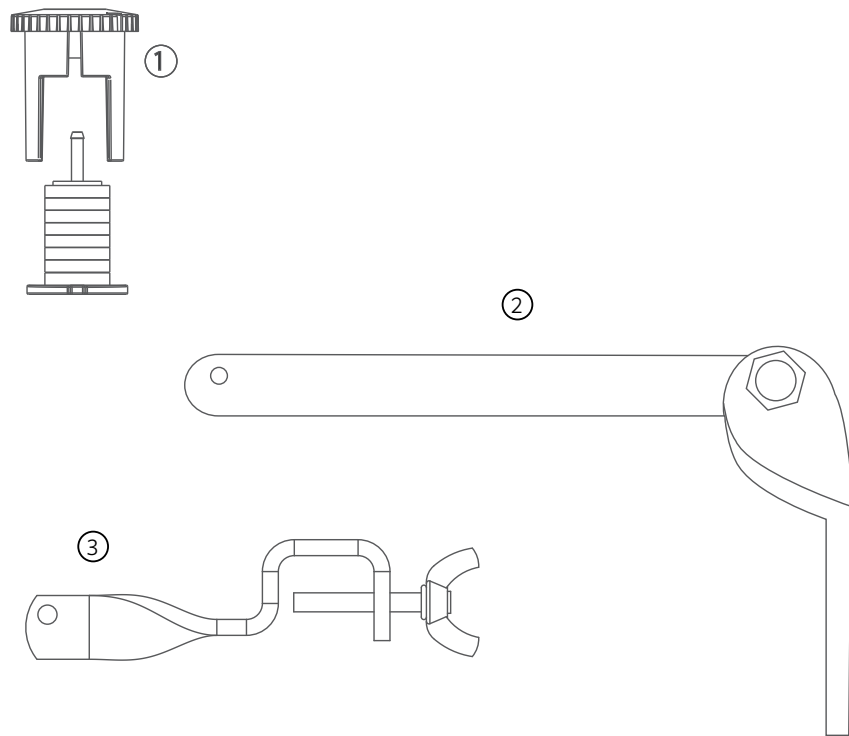
**MINI-CLIK®: RAIN SENSOR**

ITEM	DESCRIPTION	CATALOG NO.
1	Cap and Spindle Assembly	440200SP
2	Bracket	439700
3	Sensor Gutter Mount	SGM



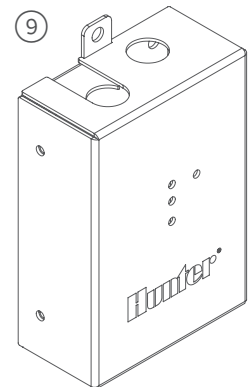
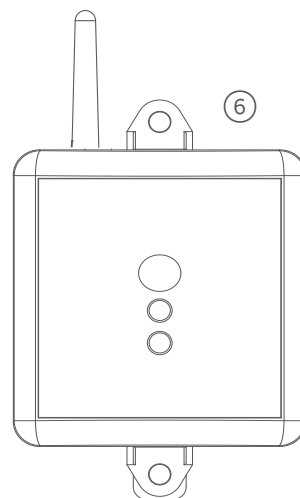
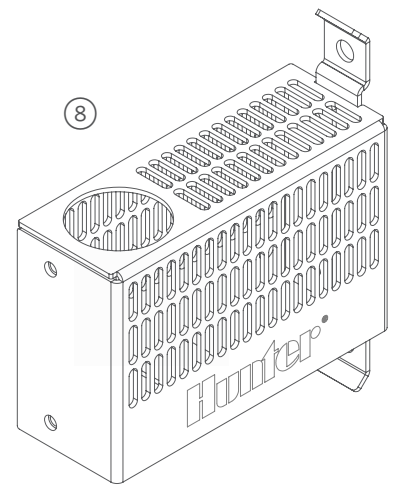
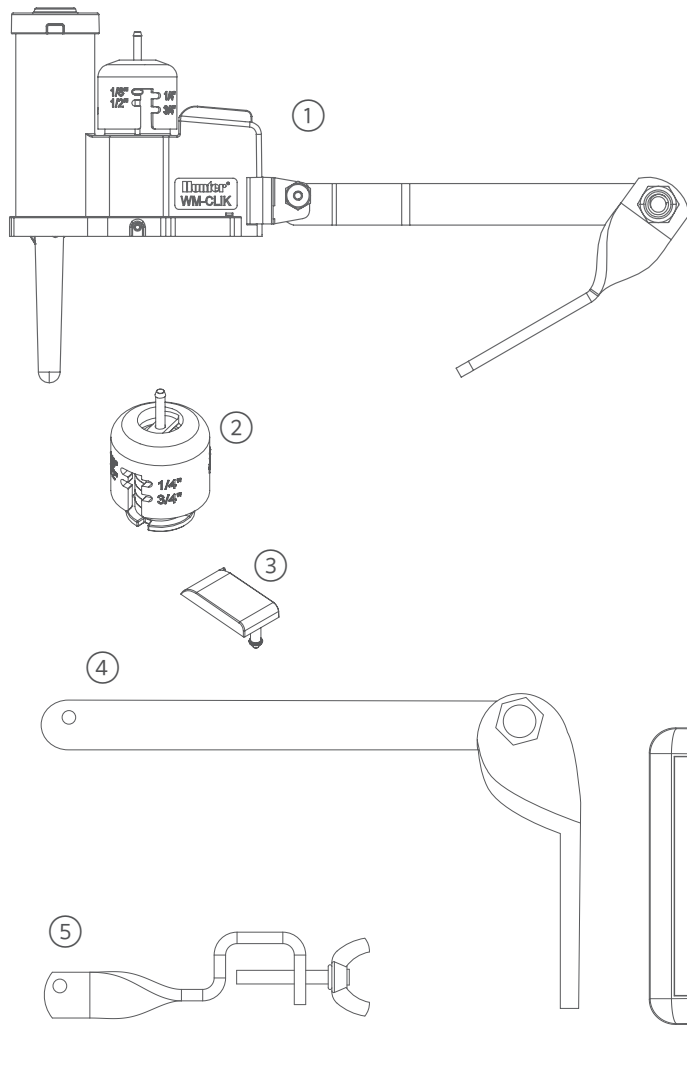
**WIRED RAIN-CLIK®: RAIN SENSOR**

ITEM	DESCRIPTION	CATALOG NO.	LIST PRICE \$
1	Cap and Spindle Assembly	505900SP	5.00
2	Bracket	439700	12.00
3	Sensor Gutter Mount	SGM	6.00



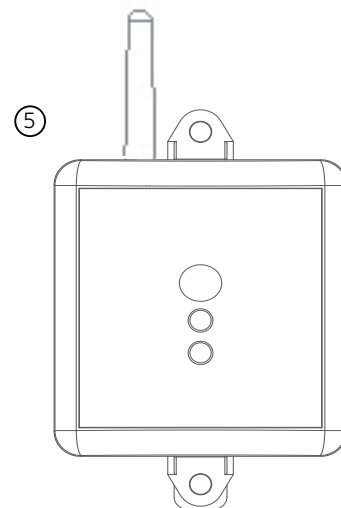
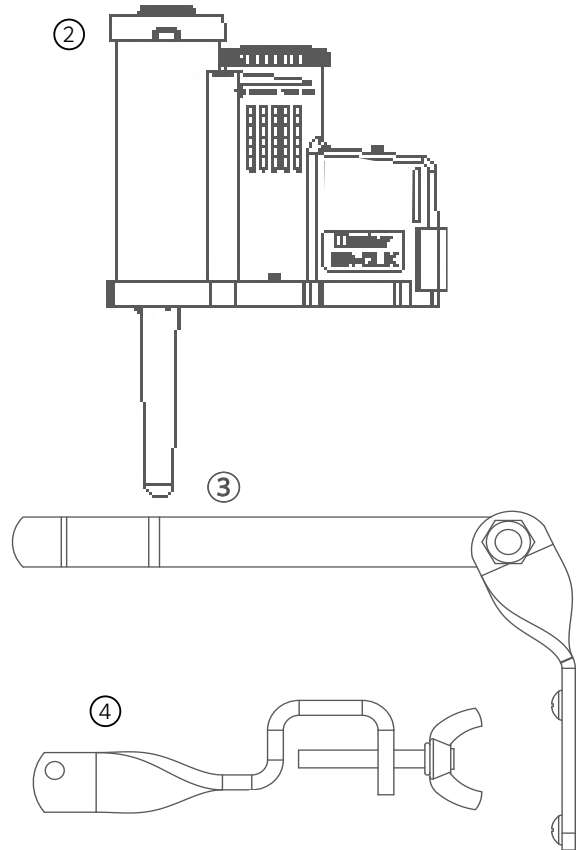
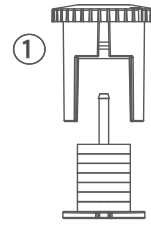
**WIRELESS MINI-CLIK: RAIN SENSOR**

ITEM	DESCRIPTION	CATALOG NO.
1	Wireless Mini-Clik Transmitter Only	WM-CLIK-TR
2	Wireless Mini-Clik Cap With Spindle Assembly	10023600SP
3	Wireless Mini-Clik Quick Shutoff Cover	10023900SP
4	Mounting Bracket	439700
5	Sensor Gutter Mount	SGM
6	Receiver Assembly	WR-CLIK-R
7	Receiver Rubber Cover	231300SP
8	Vandal-Resistant Wireless Sensor Guard for Flat Surfaces or Pole Mounting	WS-GUARD
9	Vandal-Resistant Wireless Receiver Guard for Pedestal Mounting	WR-GUARD



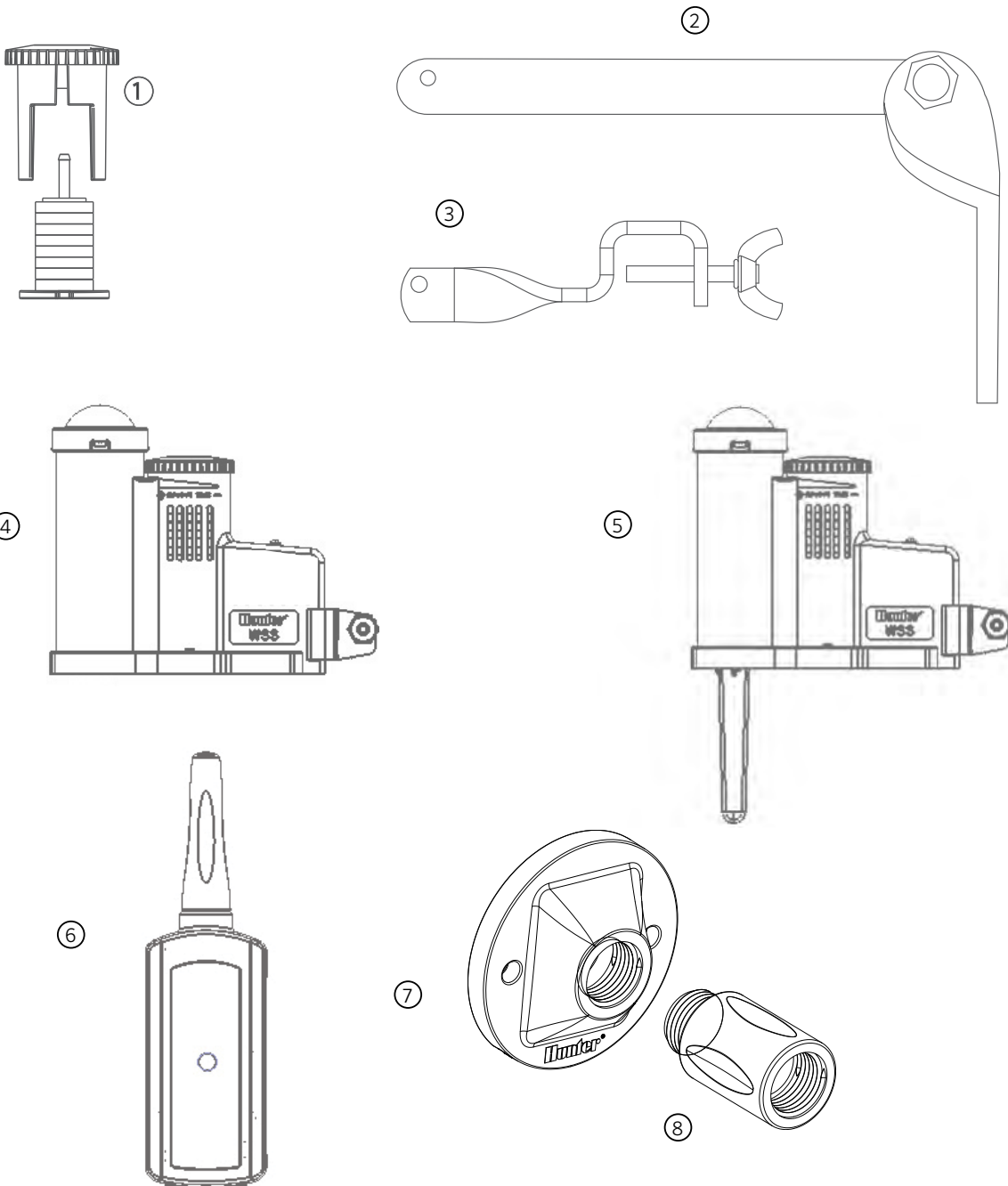
**WIRELESS RAIN-CLIK: RAIN SENSOR**

ITEM	DESCRIPTION	CATALOG NO.	LIST PRICE \$
1	Cap and Spindle Assembly	505900SP	5.00
2	Transmitter Assembly	WR-CILK-TR	79.75
3	Mounting Bracket	439700	12.00
4	Sensor Gutter Mount	SGM	6.00
5	Receiver Assembly	WR-CLIK-R	103.00



**SOLAR SYNC®: ET SENSOR**

ITEM	DESCRIPTION	CATALOG NO.
1	Cap and Spindle Assembly	505900SP
2	Bracket	439700
3	Sensor Gutter Mount	SGM
4	Solar Sync Sensor (Wired)	SOLAR-SYNC-SEN
5	Wireless Solar Sync Sensor	WSSTR
6	Wireless Solar Sync Receiver	WSSR
7	Wall-Mount Bracket	258200
8	Wall-Mount Bracket Extender	222600SP

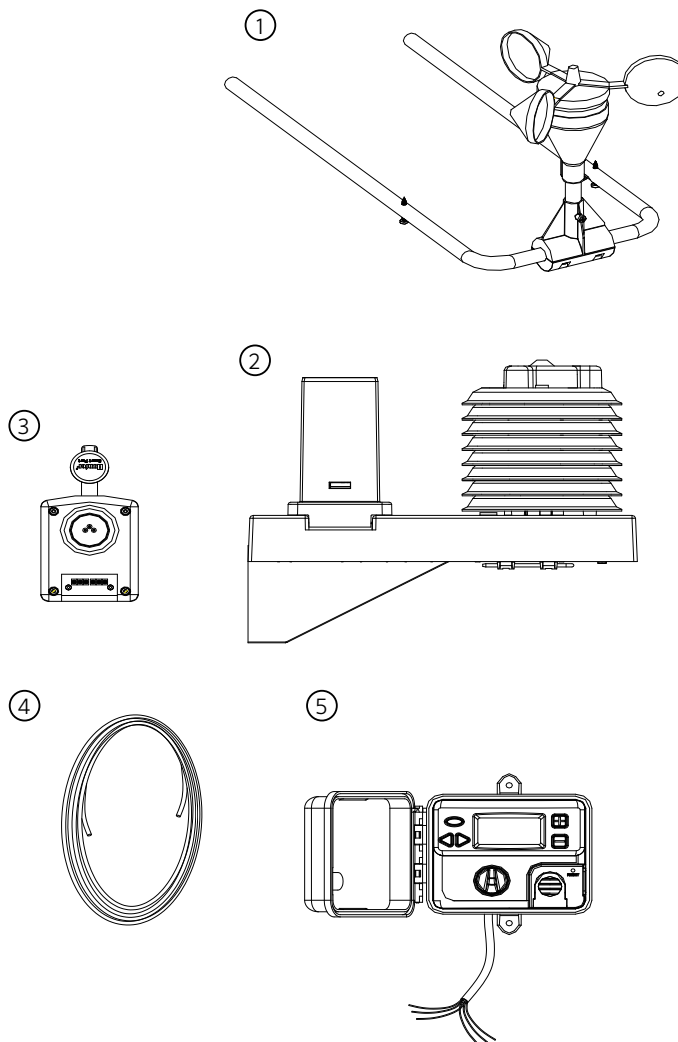




**ET SYSTEM**

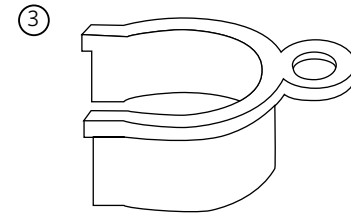
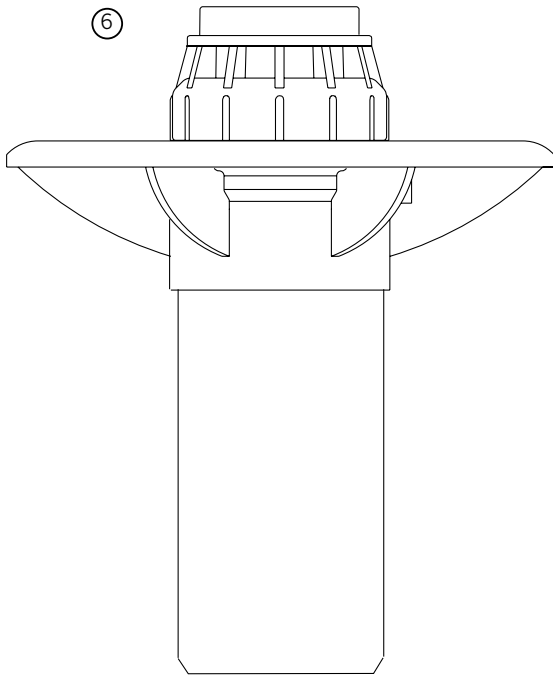
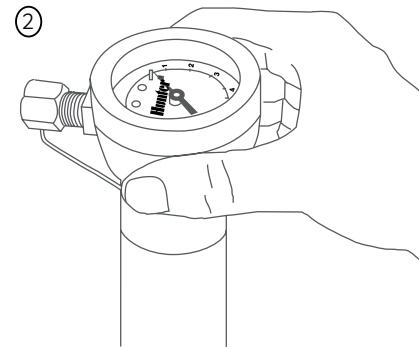
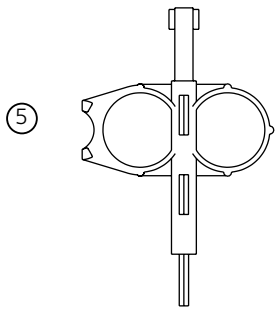
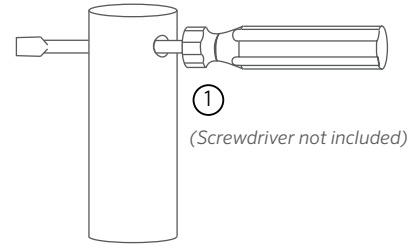
ITEM	DESCRIPTION	CATALOG NO.
1	ET Anemometer	ET-WIND
2	ET Sensor Platform	ET-SENSOR
3	SmartPort® Adapter for ACC	ET-ADAPTOR
4	100' (30 m) Direct Burial Wire	206100
5	ET Control Module	ET-MODULE
NS	Spare Lithium Battery	622032
NS	Mounting Bracket Hardware	ET-HARDWARE

NS = Not Shown



## TOOLS

ITEM	DESCRIPTION	CATALOG NO.
1	Turf Plug Cutter	150500
2	Rotor Pitot Gauge	280100SP
3	Nozzle Insertion Collar	123200SP
4	Hand Pump for Water Extraction	217500SP
5	Wrench	172000SP
6	Subsurface Stabilizer Flange (I-25/I-40/I-50)	222700SP



④





# STATEMENT OF WARRANTY

## Hunter Residential and Commercial Irrigation Products

Hunter Industries Incorporated (“Hunter”) warrants the following products to be free of defects in materials or workmanship under normal use in landscape irrigation applications for the specified period of time outlined below from the original date of manufacture:

<b>ONE YEAR</b>	<b>ROTORS</b>	SRM	<b>MICRO</b>	Micro Sprays, PLD Fittings, Rigid Risers, Air/Vacuum Relief Valves	
	<b>TWO YEARS</b>	<b>ROTORS</b>	PGP-ADJ, PGJ, HCV	<b>CONTROLLERS</b>	ACC (Legacy), BTT, Hydrowise Controllers (HC, WAND, PHC, HPC, and HCC), I-Core/DUAL (Legacy), NODE, NODE-BT, Pro-C, PSR, ROAM, X2, XC Hybrid, and X-Core
		<b>SPRAYS</b>	PS Ultra, SJ, FlexSG, HSBE	<b>SENSORS</b>	HC Flow Meter (wired and wireless)
		<b>NOZZLES</b>	Spray Nozzles, PCN, PCB, AFB, MSBN	<b>MICRO</b>	ACZ, Accu Sync, PCZ, RZWS, Point-Source Emitters, Tubing, Multi-Port Emitters, IH Risers, MLD, Eco-Indicator, Multi-Purpose Box, Senninger Regulators, PLD-LOC Fittings
		<b>VALVES</b>	PGV Family	<b>TOOLS</b>	SpotShot
<b>CENTRAL</b>	IMMS Central Control Products (Legacy), A2C-WIFI, A2C-LAN, A2C-LTE, LANKIT, WIFIKIT, CELLKIT				
<b>THREE YEARS</b>	<b>CONTROLLERS</b>	ROAM XL, EZ Decoder System, EZ-DT	<b>MP ROTATOR</b>	All	
	<b>FIVE YEARS</b>	<b>ROTORS</b>	PGP Ultra, I-20, I-25, I-40, I-50, I-80, and I-90	<b>CONTROLLERS</b>	ACC2, ICC2, ICD Decoders, ICD-HP
<b>SPRAYS</b>		Pro-Spray, Pro-Spray PRS30, and Pro-Spray PRS40	<b>SENSORS</b>	Clik Sensors, Flow-Sync, MWS, Solar Sync, Wireless Flow Sensor	
<b>VALVES</b>		HQ, ICV, IBV	<b>MICRO</b>	ICZ, HDL, HDL-COP**, Eco-Mat, Eco-Wrap	

## Hunter Golf and ST System Irrigation Products\*

Hunter will repair, replace, or repurchase, at its sole discretion, any defective component\* assemblies contained within the Golf and ST products listed below by category, returned freight prepaid, from the date of manufacture within a period of:

<b>ONE YEAR</b>	<b>GOLF CONTROLLERS</b>	Pilot Command Center Software, Pilot-FC, Pilot-FI, Pilot Hub
	<b>THREE YEARS</b>	<b>GOLF ROTORS</b>
<b>GOLF TWO-WAY MODULES</b>		Pilot 100, Pilot 200, Pilot 400, Pilot 600
<b>FIVE YEARS</b>	<b>GOLF ROTORS</b>	The golf rotor component warranty is extended to 5 years with a one-for-one purchase of an HSJ Swing Joint from an authorized Hunter Golf distributor.
	<b>SWING JOINTS</b>	HSJ-0, HSJ-1, HSJ-2, HSJ-3
	<b>ST ROTORS</b>	ST-90, STG-900, ST-1200, ST-1600
	<b>ST ACCESSORIES</b>	All models starting with “ST”
	<b>COMPUTER, PRINTERS &amp; ACCESSORIES, MAINTENANCE RADIO &amp; BATTERY</b>	Equipment manufacturer’s warranty (no Hunter warranty)

\* Warranty covers repair, replacement, or repurchase of individual defective component assemblies contained within the product. Returns of complete finished goods are not allowed under warranty without prior approval from the Hunter Product Manager.

If used for agricultural applications, Hunter limits the warranty for valves, sprays, MP Rotator Nozzles, and rotor products to a period of one (1) year from the original date of manufacture. This agriculture limitation supersedes all other warranties expressed or implied.

\*\*While the use of copper does not completely remove the chance of root intrusion, it has been shown to assist in its prevention when coupled with proper irrigation scheduling.

### *Statement of Warranty, Continued*

If a defect in a Hunter product is discovered during the applicable warranty period, Hunter will repair or replace, at its option, the product or the defective part. This warranty does not extend to repairs, adjustments, or replacement of a Hunter product or part that results from misuse, negligence, alteration, modification, tampering, or improper installation and/or maintenance of the product. This warranty extends only to the original installer of the Hunter product. If a defect arises in a Hunter product during the warranty period, contact your local Hunter Authorized Distributor.

Hunter's warranty applies only to products installed as specified and used as intended for irrigation purposes. Hunter's warranty shall be limited to defects in materials and workmanship during the warranty period, and shall not extend to situations in which the product was subjected to improper design, installation, operation, maintenance, application, abuse, improper electrical current, grounding, service other than by Hunter authorized agents, operating conditions other than that for which it was designed, or in systems using water containing corrosive chemicals, electrolytes, sand, dirt, silt, rust, or agents that otherwise attack and degrade plastics. Hunter's warranty does not cover component failures caused by lightning strikes, electrical power surges, or unconditioned power supplies. If products are repurchased, the price to Distributor for such products in effect at the time of return will apply.

Hunter's obligation to repair, replace, or repurchase its products or product components as set forth above is the sole and exclusive warranty extended by Hunter. There are no other warranties, expressed or implied, including warranties of merchantability and warranties of fitness for a particular purpose. Hunter will not be liable to a distributor or to any other party in strict liability, tort, contract, or any other manner for any damages caused or claimed to be caused as a result of any design of or defect in Hunter's products, or for any special, incidental, or consequential damages of any nature.

Where applicable, Hunter's statement of warranty complies with local directives.

**If you have any questions concerning the warranty or its application, please email [support@hunterindustries.com](mailto:support@hunterindustries.com).**

### **ASAE CERTIFICATION STATEMENT**

Hunter Industries Incorporated certifies that pressure, flow rate, and radius data for these products were determined and listed in accordance with ASAE Standard S398.1, Procedure for Sprinkler Testing and Performance Reporting, and are representative of performance of production sprinklers at the time of publication. Actual product performance may differ from the published specifications due to normal manufacturing variations and sample selection. All other specifications are solely the recommendation of Hunter Industries Incorporated.



Helping our customers succeed is what drives us. While our passion for innovation and engineering is built into everything we do, it is our commitment to exceptional support that we hope will keep you in the Hunter family of customers for years to come.

A handwritten signature in white ink, appearing to read "G.R. Hunter", with a long horizontal flourish extending to the right.

Gregory R. Hunter, CEO of Hunter Industries

A handwritten signature in white ink, appearing to read "Gene Smith", with a long horizontal flourish extending to the right.

Gene Smith, President, Landscape Irrigation and Outdoor Lighting

**Website** [hunterindustries.com](http://hunterindustries.com) | **Customer Support** +1-760-752-6037 | **Technical Service** +1-760-591-7383