

Hunter®



ROTOR PARTS PRICELIST

ROTORS SPRAYS VALVES CONTROLLERS SENSORS CENTRAL CONTROLS ACCESSORIES

10

EFFECTIVE NOVEMBER 2009



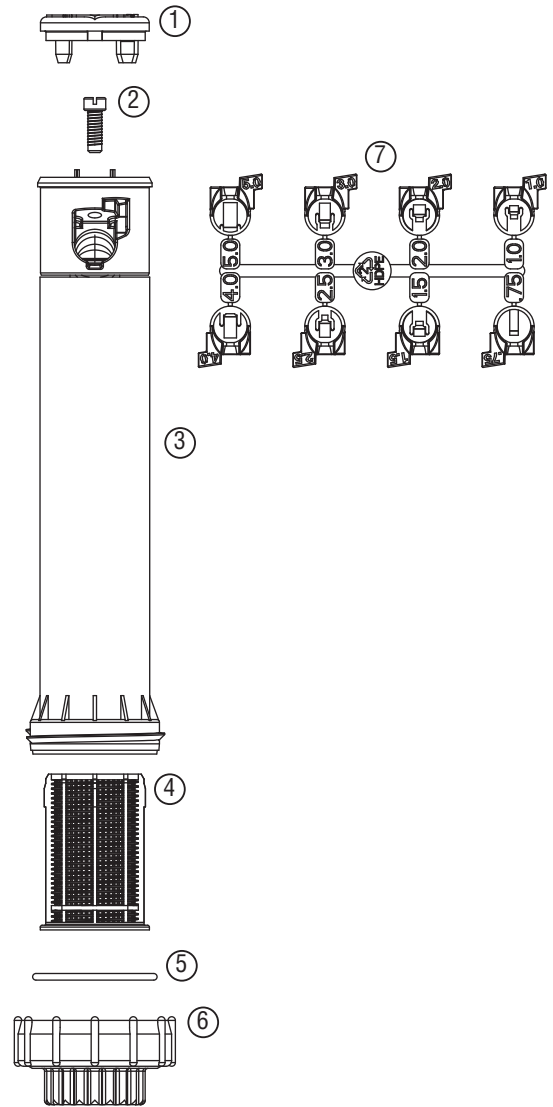
IN THIS PHOTO:
PGP ULTRA

TABLE OF CONTENTS

- PGJ-00: Gear-Driven Sprinkler..... 1
- PGJ-04, 06, 12: Gear-Driven Sprinklers..... 2
- PGM-00: Gear-Driven Sprinkler 3
- SRM-04, PGM-04, 06, 12: Gear-Driven Sprinklers..... 4
- PGS: Gear-Driven Sprinklers..... 5
- PGP®: Gear-Driven Sprinklers..... 6
- PGP-ATR: Gear-Driven Sprinklers 7
- PGH: Gear-Driven Sprinklers..... 8
- PGP-00: Gear-Driven Sprinklers..... 9
- PGP-04 Ultra, PGP-12CV Ultra: Gear-Driven Sprinklers..... 10
- I-20-00 Ultra: Gear-Driven Sprinklers..... 11
- I-20-04, 06, 12 Ultra: Gear-Driven Sprinklers 12
- I-25-04, 06 Ultra: Gear-Driven Sprinklers..... 13
- I-35-06 Sierra: Gear-Driven Sprinklers 14
- I-40-04, 06 Ultra: Gear-Driven Sprinklers 15
- I-60: Gear-Driven Sprinkler..... 16
- I-90: Gear-Driven Sprinkler..... 17

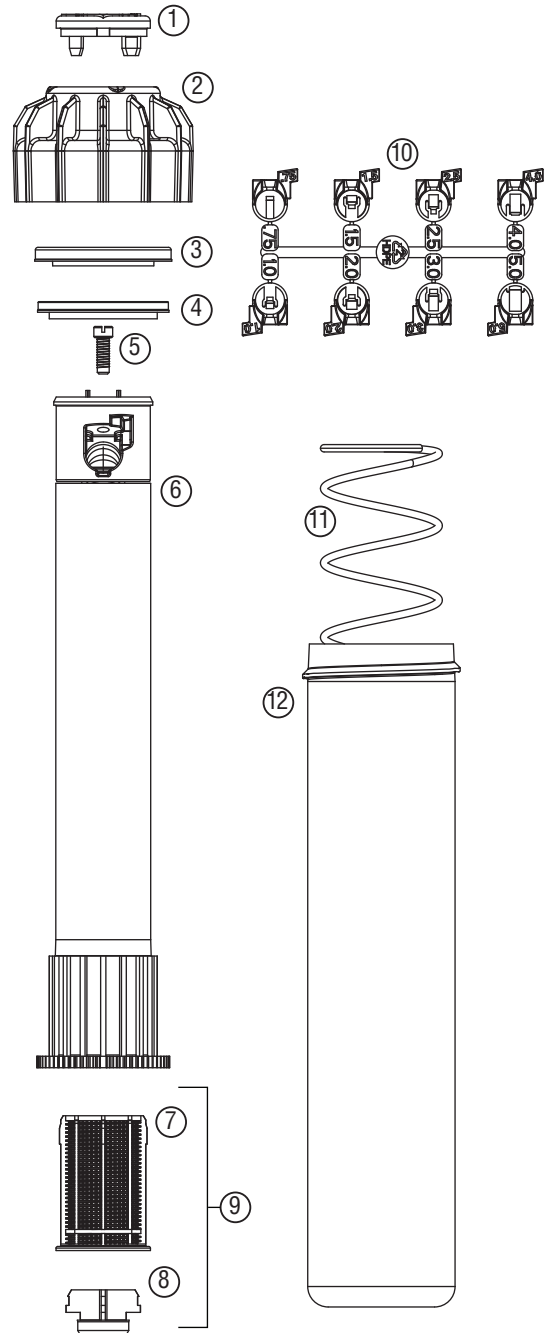
PGJ-00: Gear-Driven Sprinkler

Item	Description	Catalog No.	Price	
①	Rubber Cover	Black	537800	\$1.00
		Purple	537810	\$2.00
②	Nozzle Retention Screw	537900	\$0.50	
③	Riser Assembly (Includes parts 2 & 4)	550600	\$16.00	
④	Screen	272000	\$0.50	
⑤	O-ring	464500	\$0.25	
⑥	Shrub Head Base	372800	\$1.00	
⑦	Nozzle Rack (with 8 nozzles)	538700	\$0.50	



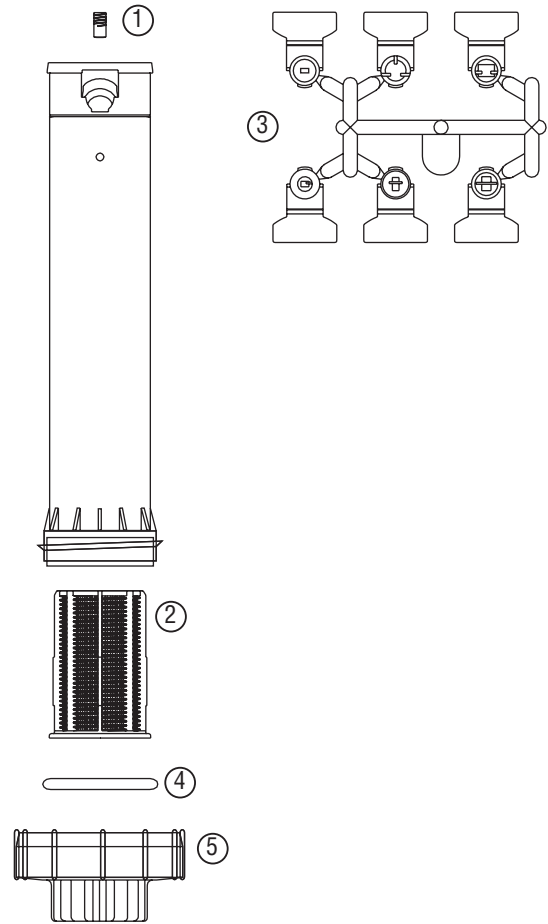
PGJ-04, 06, 12: Gear-Driven Sprinklers

Item	Description	Catalog No.	Price	
①	Rubber Cover	Black	537800	\$1.00
		Black with Check Valve ID	537805	\$1.50
		Purple with Check Valve ID	537810	\$2.00
②	Body Cap	537400	\$2.00	
③	Riser Seal	538100	\$0.80	
④	Spring Seat	326500	\$0.35	
⑤	Nozzle Retention Screw	537900	\$0.50	
⑥	Riser Assembly			
	4" w/ Black (Incl 5 & 7)		550900	\$17.00
	4" Black w/ Check Valve Logo (Incl 5 & 9)		551000	\$23.00
	4" Purple w/ Check Valve Logo (Incl 5 & 9)		551000	\$24.00
	6" w/ Black (Incl 5 & 7)		551300	\$25.00
	6" Black w/ Check Valve Logo (Incl 5 & 9)		551400	\$27.00
	6" Purple w/ Check Valve Logo (Incl 5 & 9)		551400	\$28.00
	12" w/ Black (Incl 5 & 7)		647000	\$35.00
	12" Black w/ Check Valve Logo (Incl 5 & 9)		645900	\$37.00
	12" Purple w/ Check Valve Logo (Incl 5 & 9)		647100	\$38.00
⑦	Screen	272000	\$0.50	
⑧	Check Valve (Bag of 25)	462078	\$18.75	
⑨	Screen/Check Valve Assembly	302500	\$1.00	
⑩	Nozzle Rack (w/ 8 nozzles)	538700	\$0.50	
⑪	Retraction Spring	4"	272705	\$4.00
		6"	272710	\$6.00
		12"	272715	\$8.00
⑫	Body	4"	537300	\$4.00
		6"	538400	\$6.00
		12"	538500	\$10.00



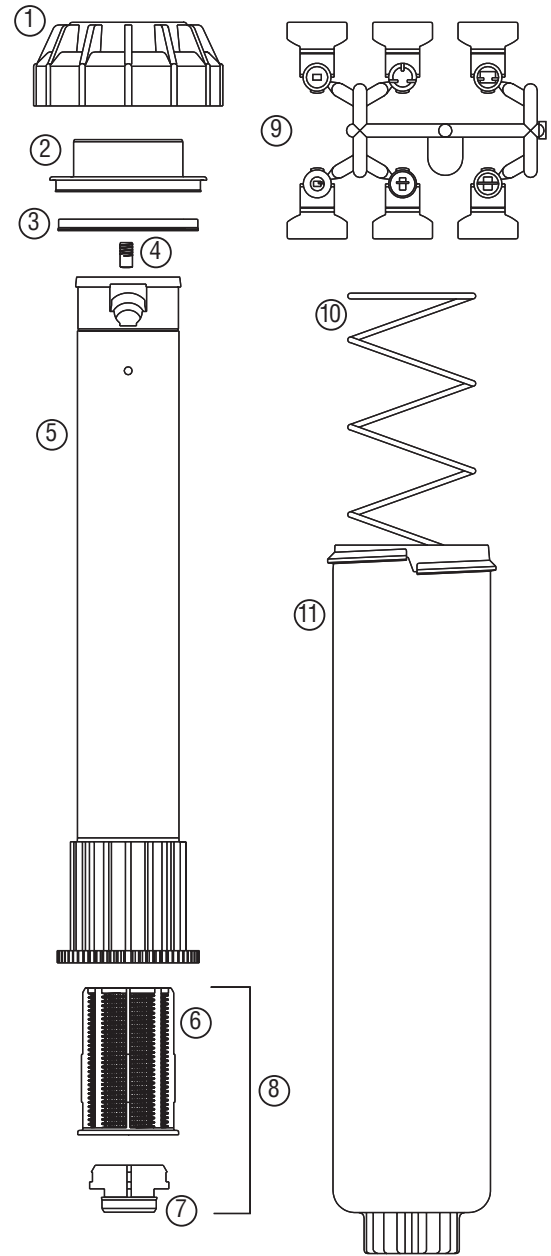
PGM-00: Gear-Driven Sprinkler

Item	Description	Catalog No.	Price
①	Nozzle Retention Screw (Bag of 25)	463262	\$12.50
②	Screen (White)	272000	\$0.50
③	Nozzle Rack (w/ 0.50, 0.75, 1.0, 1.5, 2.0, 3.0)	327000	\$0.50
④	O-ring	464500	\$0.25
⑤	Shrub Head Base	372800	\$1.00



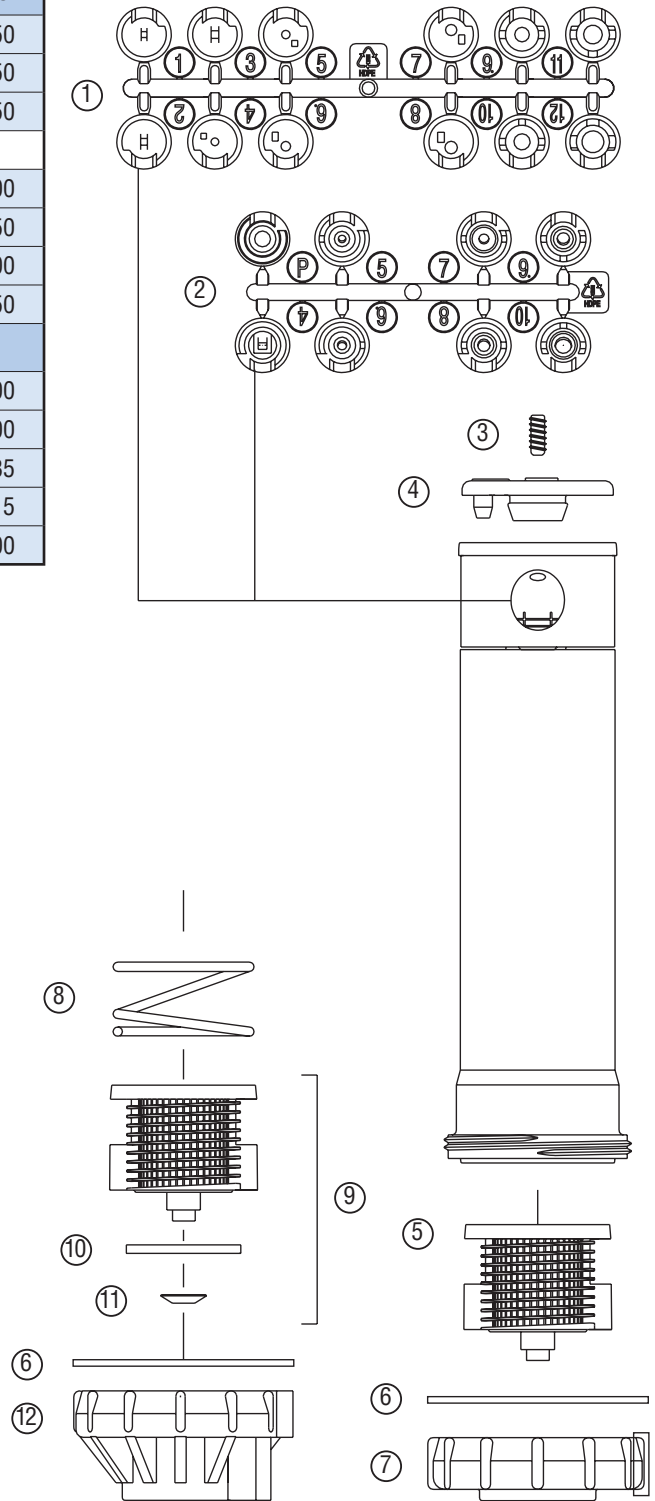
SRM-04, PGM-04, 06, 12: Gear-Driven Sprinklers

Item	Description	Catalog No.	Price	
①	Body Cap	270700	\$3.00	
②	Riser Seal	326400	\$0.75	
③	Spring Seat	326500	\$0.35	
④	Nozzle Retention Screw (Bag of 25)	463262	\$12.50	
⑤	Riser Assembly with Screw (4" Black Logo)	328105	\$17.00	
⑥	Screen (White)	272000	\$0.50	
⑦	Check Valve (Bag of 25)	462078	\$18.75	
⑧	Screen/Check Valve Assembly	302500	\$1.00	
⑨	Nozzle Rack (w/ 0.50, 0.75, 1.0, 1.5, 2.0, 3.0)	327000	\$0.50	
⑩	Retraction Spring	4"	272705	\$4.00
		6"	272710	\$6.00
		12"	272715	\$8.00
⑪	Body	4"	271100	\$4.00



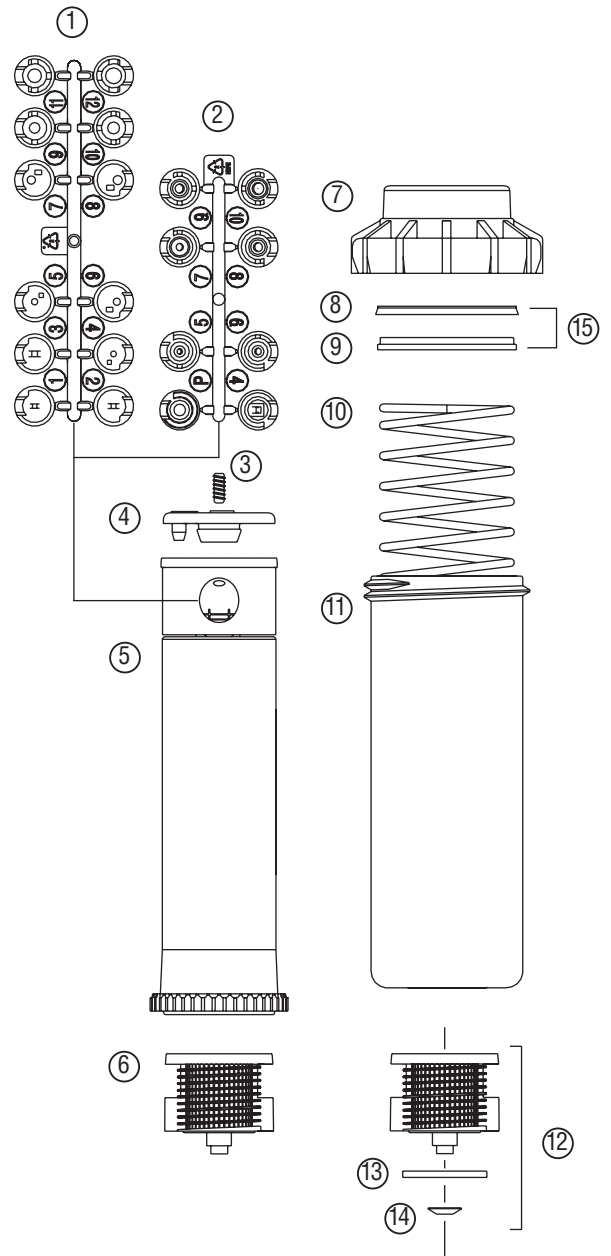
PGS: Gear-Driven Sprinkler (for models with date codes prior to March 2009)

Item	Description	Catalog No.	Price
①	Standard Nozzle Set (12) 25° Trajectory	130900	\$0.50
②	Low Angle Nozzle Set (7) 13° Trajectory	233200	\$0.50
③	Set Screw	120300	\$0.50
④	Protective Rubber Cover (Fits Units Manufactured After 2/93)		
	Black (ADJ)	269400	\$1.00
⑤	Standard Filter Screen (Black)	102600	\$0.50
⑥	O-Ring	170600	\$1.00
⑦	Standard Shrub Head Base	106900	\$3.50
Options			
⑧	Check Valve Spring	235000	\$1.00
⑨	Filter Screen/Check Valve Sub Assembly	142300	\$1.00
⑩	Check Valve Seal	101400	\$0.35
⑪	Retainer Clip	204900	\$0.15
⑫	Shrub Head Base for Check Valve Use	234900	\$4.00



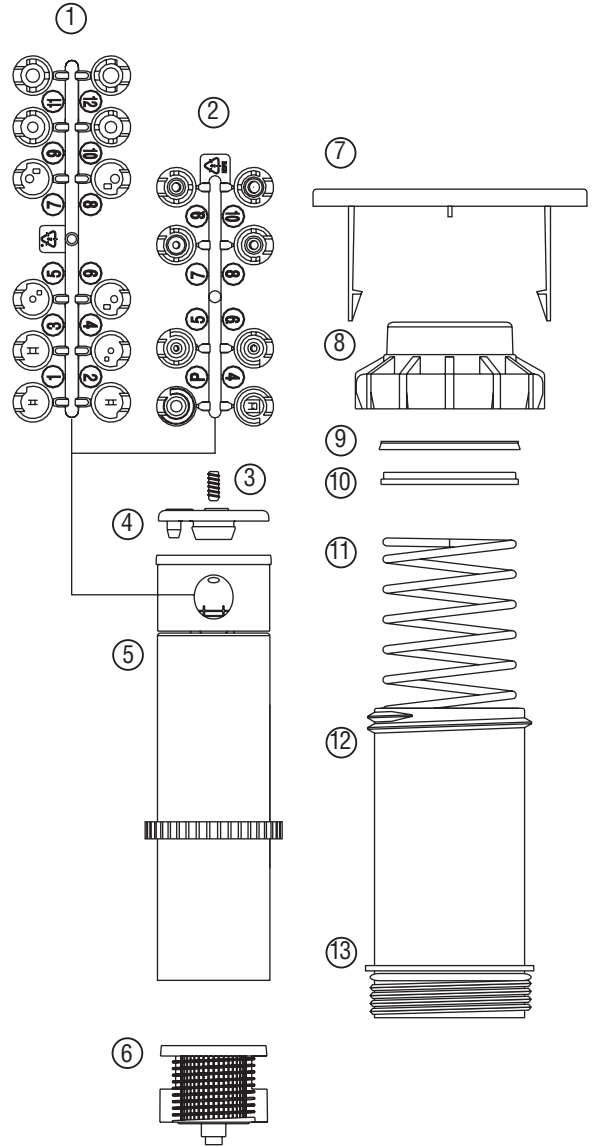
PGP®: Gear-Driven Sprinkler

Item	Description	Catalog No.	Price	
①	Standard Nozzle Set (12) 25° Trajectory	130900	\$0.50	
②	Low Angle Nozzle Set (7) 13° Trajectory	233200	\$0.25	
③	Set Screw	120300	\$0.50	
④	Protective Rubber Cover (<i>Fits Units Manufactured After 2/93</i>)			
	Black (ADJ)	269400	\$1.00	
	Purple (ADJ)	297900	\$2.00	
⑤	Riser Assembly	ADJ	131105	\$22.00
⑥	Standard Filter Screen (<i>Black</i>)	102600	\$0.50	
⑦	Body Cap	103700	\$3.75	
⑧	Riser Seal	181500	\$1.00	
⑨	Spring Seat	189900	\$0.35	
⑩	Retraction Spring	ADJ	104000	\$4.00
⑪	Pop-Up Body	100200	\$6.00	
⑫	Filter Screen/Check Valve Sub-Assembly	142300	\$1.00	
⑬	Check Valve Seal	101400	\$0.35	
⑭	Retainer Clip	204900	\$0.15	
⑮	Seal Replacement Kit (<i>Includes Parts 8 & 9</i>)	253400	\$1.00	



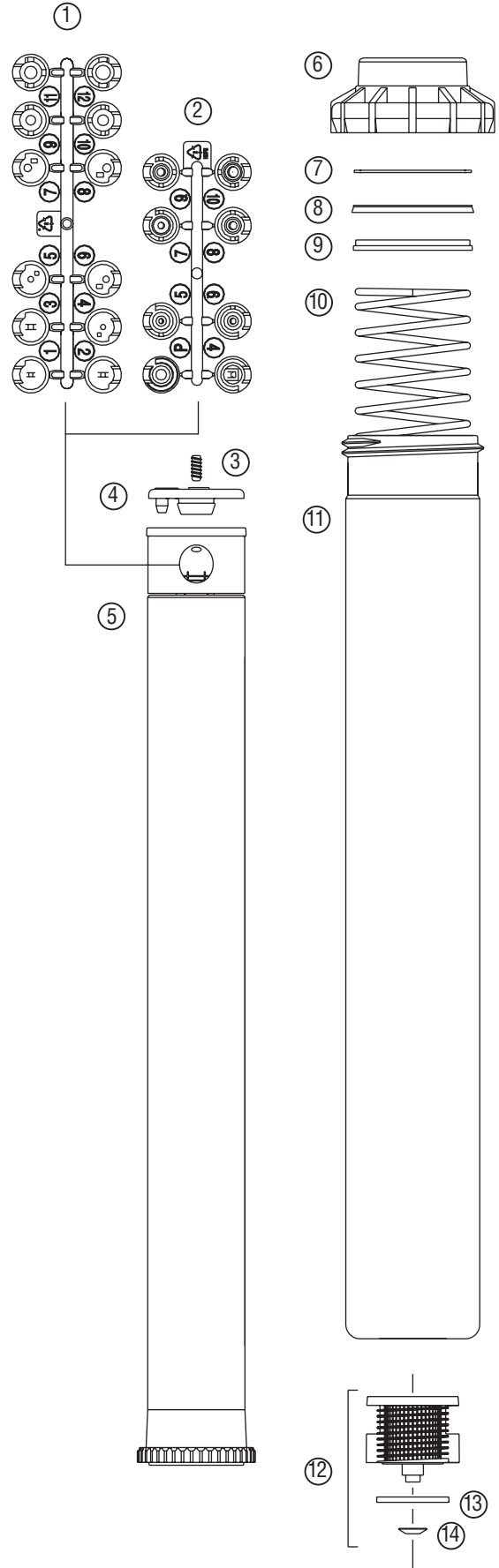
PGP-ATR: Gear-Driven Sprinkler

Item	Description	Catalog No.	Price	
①	Standard Nozzle Set (12) 25° Trajectory	130900	\$0.50	
②	Low Angle Nozzle Set (7) 13° Trajectory	233200	\$0.50	
③	Set Screw	120300	\$0.50	
④	Protective Rubber Cover	Black (ADJ)	269400	\$1.00
⑤	Riser Assembly	417800	\$24.00	
⑥	Standard Filter Screen (Black)	102600	\$0.50	
⑦	ATR Cap	417700	\$3.00	
⑧	Body Cap	103700	\$3.75	
⑨	Riser Seal	181500	\$1.00	
⑩	Spring Seat	189900	\$0.35	
⑪	Retraction Spring	417600	\$4.00	
⑫	Pop-Up Body	417400	\$6.00	
⑬	O-Ring	418200	\$0.50	



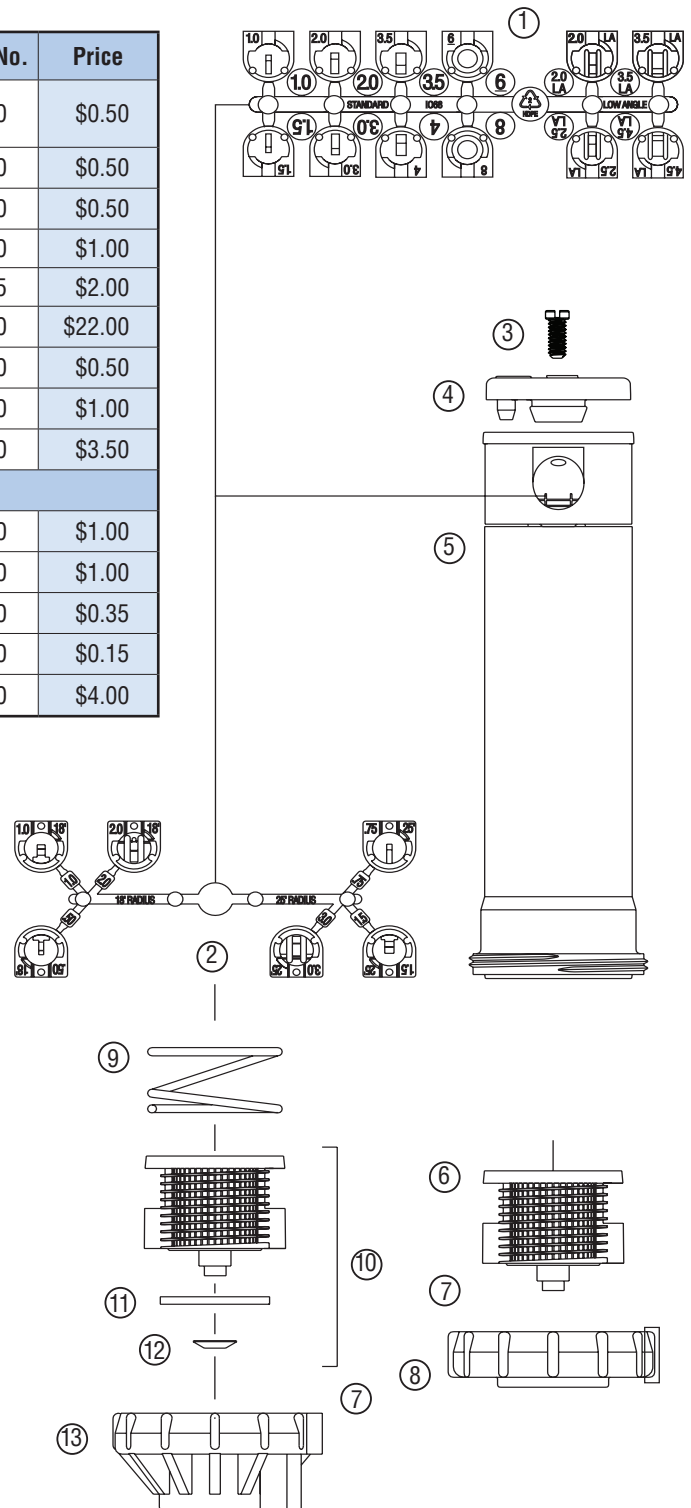
PGH: Gear-Driven Sprinkler (for models with date codes prior to March 2009)

Item	Description	Catalog No.	Price	
①	Standard Nozzle Set (12) 25° Trajectory	130900	\$0.50	
②	Low Angle Nozzle Set (7) 13° Trajectory	233200	\$0.50	
③	Set Screw	120300	\$0.50	
④	Protective Rubber Cover	Black (ADJ)	269400	\$1.00
⑤	Riser Assembly	184000	\$42.00	
⑥	Body Cap	103700	\$3.75	
⑦	Slip Washer	296100	\$0.25	
⑧	Riser Seal	181500	\$1.00	
⑨	Spring Seat	189900	\$0.35	
⑩	Retraction Spring	179500	\$14.00	
⑪	Body	179100	\$16.00	
⑫	Filter Screen/Check Valve Assembly (Black)	142300	\$1.00	
⑬	Check Valve Seal	101400	\$0.35	
⑭	Retainer Clip	204900	\$0.15	



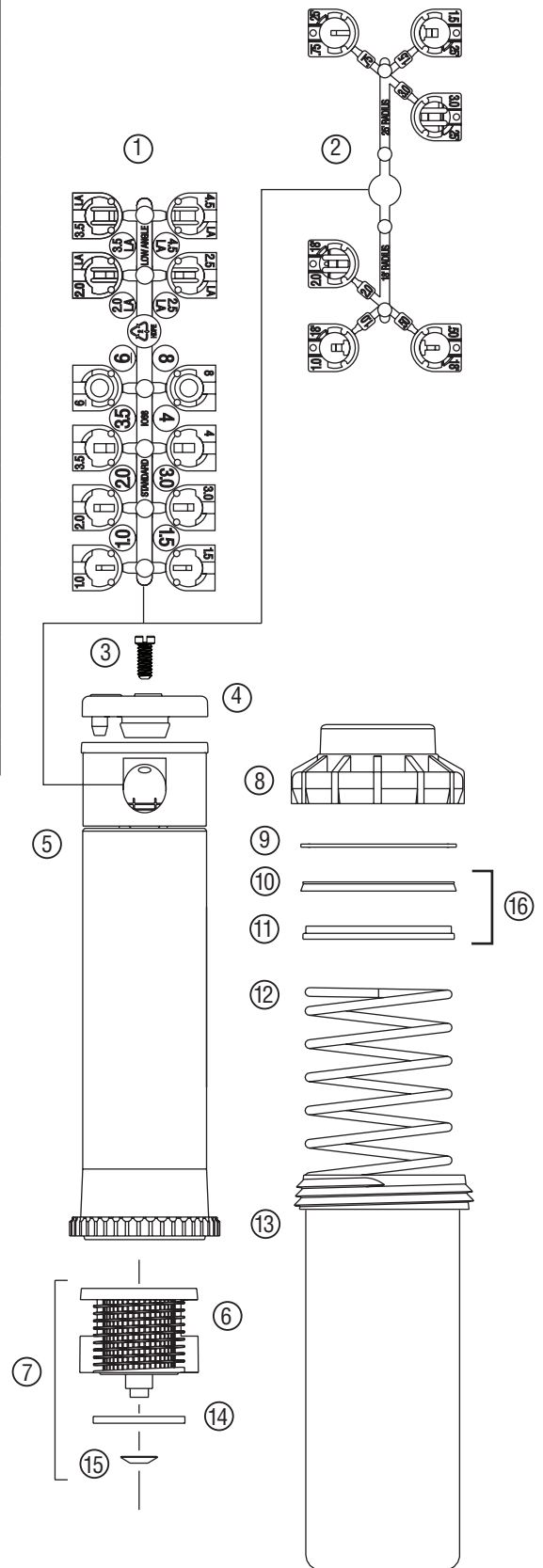
PGP-00: Gear-Driven Sprinkler

Item	Description	Catalog No.	Price	
①	Standard (8) and Low Angle (4) Nozzle Set, Blue & Gray	782900	\$0.50	
②	Short Radius Nozzle Set (6), Black	466100	\$0.50	
③	Nozzle Retainer Screw - Headed w/ Slot	180900	\$0.50	
④	Rubber Cover Assembly	Black	183600	\$1.00
		Purple	183605	\$2.00
⑤	Riser Assembly	182000	\$22.00	
⑥	Standard Filter Screen (Black)	102600	\$0.50	
⑦	O-Ring	170600	\$1.00	
⑧	Standard Shrub Head Base	106900	\$3.50	
Options				
⑨	Check Valve Spring	235000	\$1.00	
⑩	Filter Screen/Check Valve Sub Assembly	142300	\$1.00	
⑪	Check Valve Seal	101400	\$0.35	
⑫	Retainer Clip	204900	\$0.15	
⑬	Shrub Head Base	Check Valve Model	234900	\$4.00



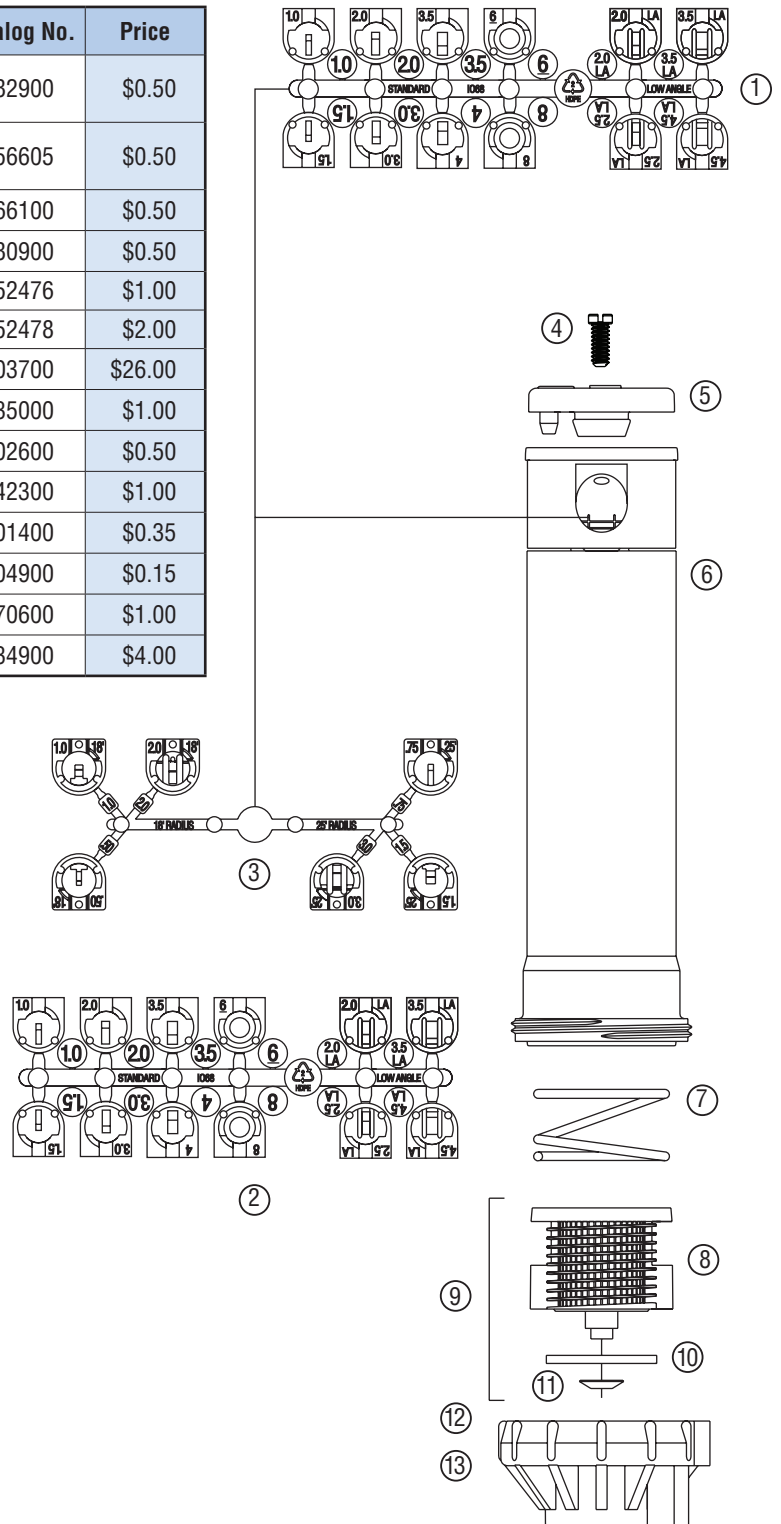
PGP-04 Ultra, PGP-12 CV Ultra: Gear-Driven Sprinklers

Item	Description	Catalog No.	Price	
①	Standard (8) and Low Angle (4) Nozzle Set, Blue & Gray	782900	\$0.50	
②	Short Radius Nozzle Set (6), Black	466100	\$0.50	
③	Nozzle Retainer Screw - Headed w/ Slot	180900	\$0.50	
④	Rubber Cover Assembly	Black	183600	\$1.00
		Purple	183605	\$2.00
⑤	Riser Assembly	PGP-04	183700	\$22.00
		PGP-12-CV	184000	\$42.00
⑥	Filter Screen	Standard Model	102600	\$0.50
⑦	Check Valve Screen Assembly		142300	\$1.00
⑧	Body Cap		103700	\$3.75
⑨	Slip Washer	PGP-12-CV-Only	296100	\$0.25
⑩	Riser Seal		181500	\$1.00
⑪	Spring Seat		189900	\$0.35
⑫	Retraction Spring	PGP-04	104000	\$4.00
		PGP-04-CV	150600	\$6.00
		PGP-12-CV	179500	\$14.00
⑬	Pop-up Body	PGP-04	100200	\$6.00
		PGP-12-CV	179100	\$16.00
⑭	Check Valve Seal Only		101400	\$0.35
⑮	Retainer Clip		204900	\$0.15
⑯	Seal Replacement Kit (Includes Parts ⑩ & ⑪)	253400	\$1.00	



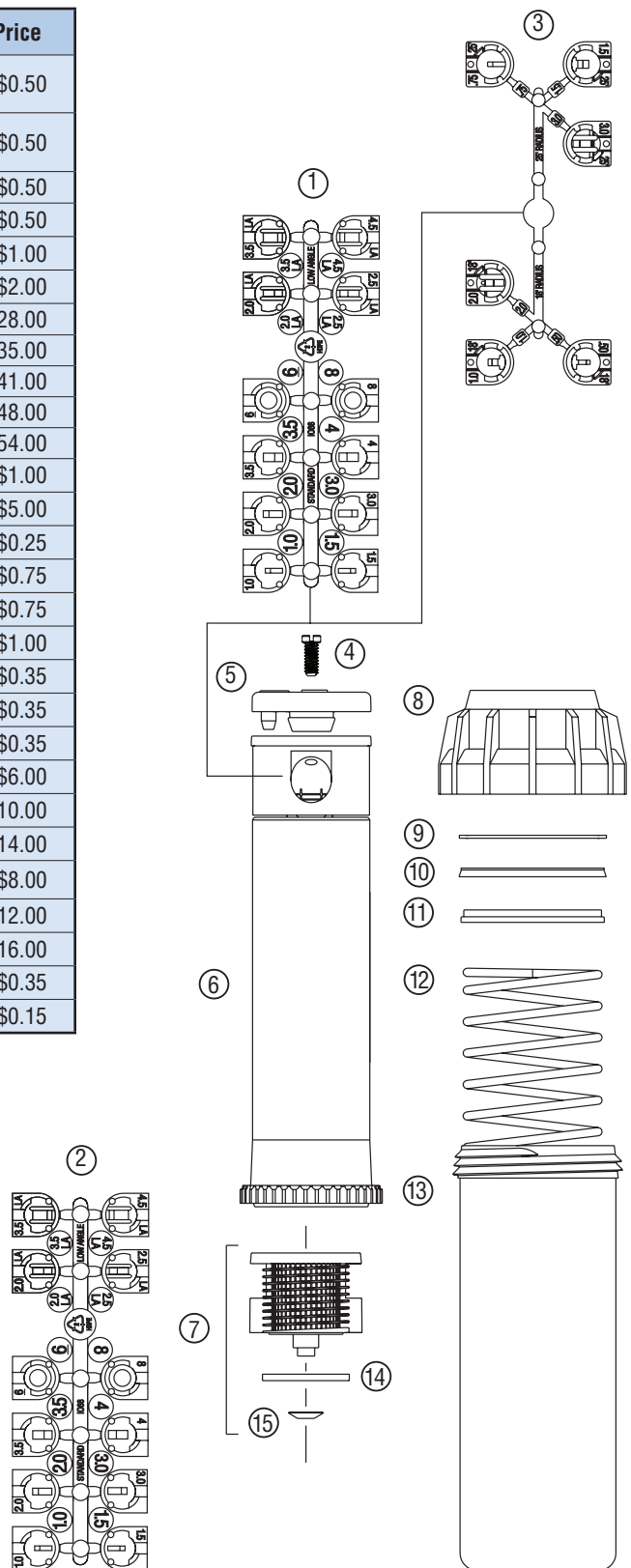
I-20-00 Ultra: Gear-Driven Sprinklers

Item	Description	Catalog No.	Price	
①	Standard (8) and Low Angle (4) Nozzle Set, Blue & Gray	782900	\$0.50	
②	Standard (8) and Low Angle (4) Nozzle Set, NAVY Blue & Gray	356605	\$0.50	
③	Short Radius Nozzle Set (6), Black	466100	\$0.50	
④	Nozzle Retainer Screw	180900	\$0.50	
⑤	Rubber Cover Assembly	Black	352476	\$1.00
		Purple	352478	\$2.00
⑥	Riser Assembly	203700	\$26.00	
⑦	Check Valve Spring	235000	\$1.00	
⑧	Filter Screen	Standard Model	102600	\$0.50
⑨	Check Valve Screen Assembly	142300	\$1.00	
⑩	Check Valve Seal Only	101400	\$0.35	
⑪	Retainer Clip	204900	\$0.15	
⑫	O-Ring	170600	\$1.00	
⑬	Shrub Head Base	Check Valve Model	234900	\$4.00



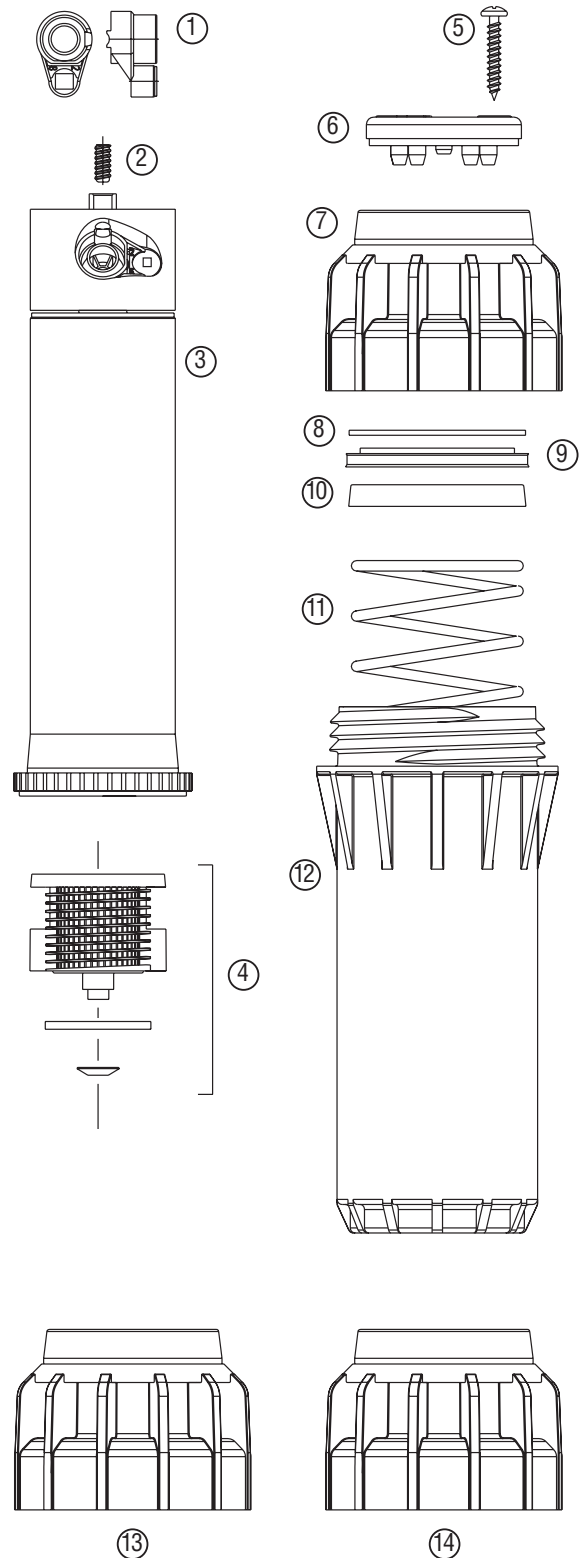
I-20-04, 06, 12 Ultra: Gear-Driven Sprinklers

Item	Description	Catalog No.	Price	
①	Standard (8) and Low Angle (4) Nozzle Set, Blue & Gray	782900	\$0.50	
②	Standard (8) and Low Angle (4) Nozzle Set, NAVY Blue & Gray	356605	\$0.50	
③	Short Radius Nozzle Set (6), Black	466100	\$0.50	
④	Nozzle Retainer Screw	180900	\$0.50	
⑤	Rubber Cover Assembly	Black	352476	\$1.00
		Purple	352478	\$2.00
⑥	Riser Assembly	I-20-04	192500	\$28.00
		I-20-04-SS	192700	\$35.00
		I-20-06	192900	\$41.00
		I-20-06-SS	193000	\$48.00
		I-20-12	203800	\$54.00
⑦	Filter Screen with Check Valve Assembly	142300	\$1.00	
⑧	Body Cap	356000	\$5.00	
⑨	Slip Washer	I-20-12-Only	296100	\$0.25
⑩	Riser Seal	I-20-04	252500	\$0.75
		I-20-06	252500	\$0.75
		I-20-12	181500	\$1.00
⑪	Spring Seat	I-20-04	227800	\$0.35
		I-20-06	227800	\$0.35
		I-20-12	189900	\$0.35
⑫	Retraction Spring	I-20-04, I-20-04-SS	150600	\$6.00
		I-20-06, I-20-06-SS	460300	\$10.00
		I-20-12	179500	\$14.00
⑬	Pop-up Body	I-20-04, I-20-04-SS	229200	\$8.00
		I-20-06, I-20-06-SS	434700	\$12.00
		I-20-12	404200	\$16.00
⑭	Check Valve Seal Only	101400	\$0.35	
⑮	Retainer Clip	204900	\$0.15	



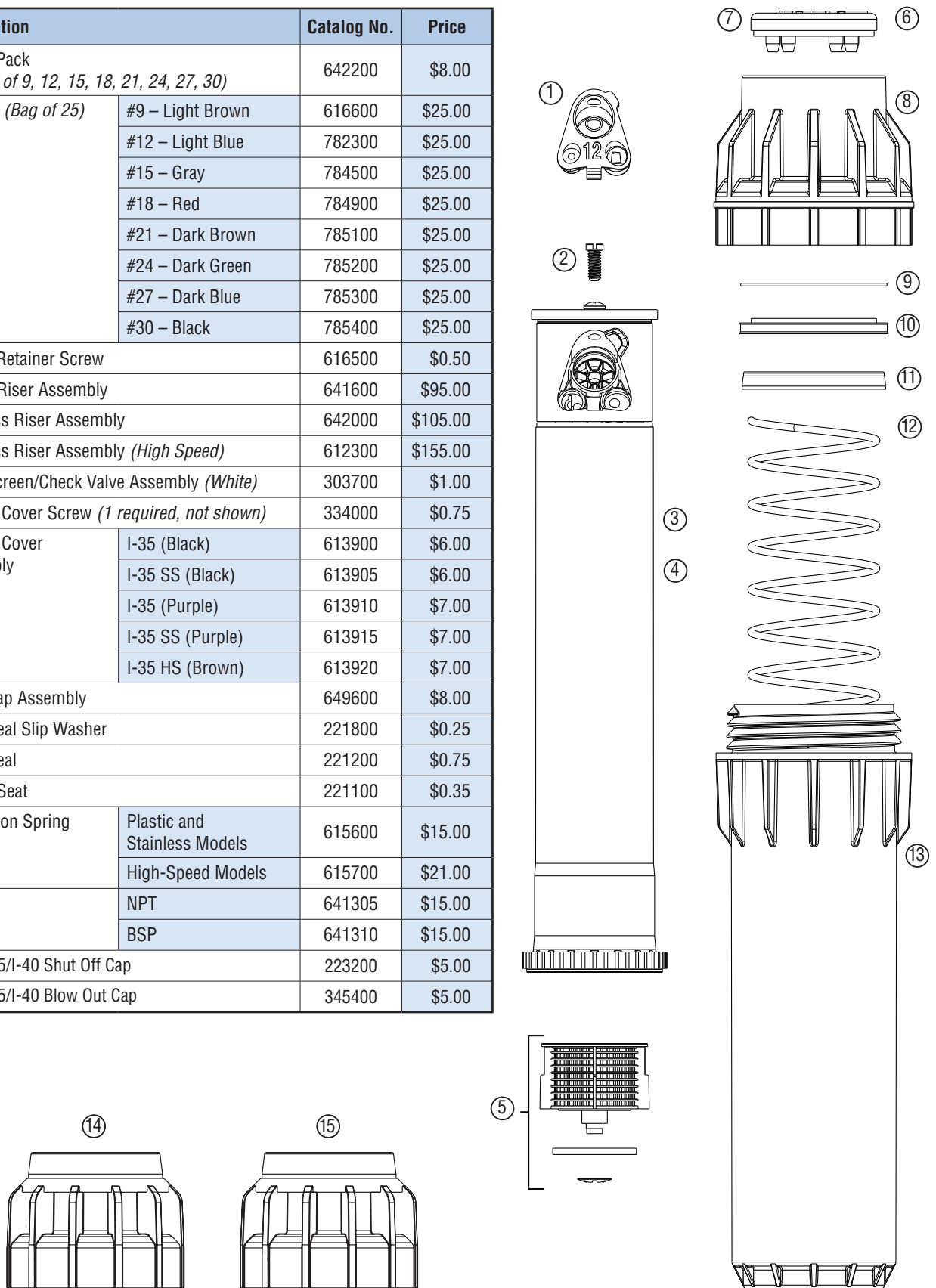
I-25-04, 06 Ultra: Gear-Driven Sprinklers

Item	Description	Catalog No.	Price	
①	Nozzle Pack (1 each 7, 10, 15, 20, 25)	460010	\$4.00	
	Nozzles (Bag of 25)	#4 – Yellow	463401	\$25.00
		#5 – White	463402	\$25.00
		#7 – Orange	463403	\$25.00
		#8 – Lt. Brown	463404	\$25.00
		#10 – Lt. Green	463405	\$25.00
		#13 – Lt. Blue	463406	\$25.00
		#15 – Gray	463407	\$25.00
		#18 – Red	463408	\$25.00
		#20 – Dk. Brown	463409	\$25.00
		#23 – Dk. Green	463410	\$25.00
		#25 – Dk. Blue	463411	\$25.00
		#28 – Black	463412	\$25.00
②	Nozzle Retainer Screw	333900	\$0.50	
③	Riser Assembly	I-25-04	181800	\$60.00
		I-25-04-SS	181900	\$77.00
		I-25-06	181300	\$74.00
		I-25-06-SS	174500	\$91.00
	Riser Assembly <i>High-Speed SS</i>	4" I-25-04-55-HS		\$155.00
	6" I-25-06-55-HS		\$155.00	
④	Filter Screen/Check Valve Assembly (White)	303700	\$1.00	
	Rubber Cover Screw (2 Required)	334000	\$0.75	
⑤ ⑥	Rubber Cover Assembly (logo base & rubber cover)	Black	344605	\$6.00
		Black SS	344635	\$6.00
		Purple	344615	\$7.00
		Purple SS	344640	\$7.00
		Brown SS	344625	\$7.00
⑦	Body Cap Assembly	341500	\$8.00	
⑧	Riser Seal Slip Washer	221800	\$0.25	
⑨	Riser Seal	221200	\$0.75	
⑩	Spring Seat	221100	\$0.35	
⑪	Retraction Spring	Standard Models (4")	300800	\$10.00
		High-Speed Models (4")	221300	\$14.00
		Standard Models (6")	615600	\$15.00
		High-Speed Models (6")	615700	\$21.00
⑫	Body	NPT (4")	336405	\$10.00
		BSP (4")	336410	\$10.00
		NPT (6")	614705	\$15.00
		BSP (6")	614710	\$15.00
⑬	I-25/I-35/I-40 Shut Off Cap	223200	\$5.00	
⑭	I-25/I-35/I-40 Blow Out Cap	345400	\$5.00	



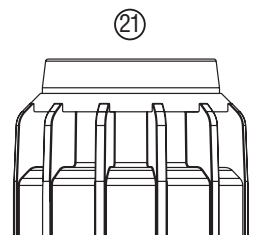
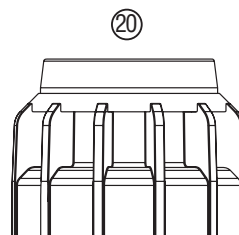
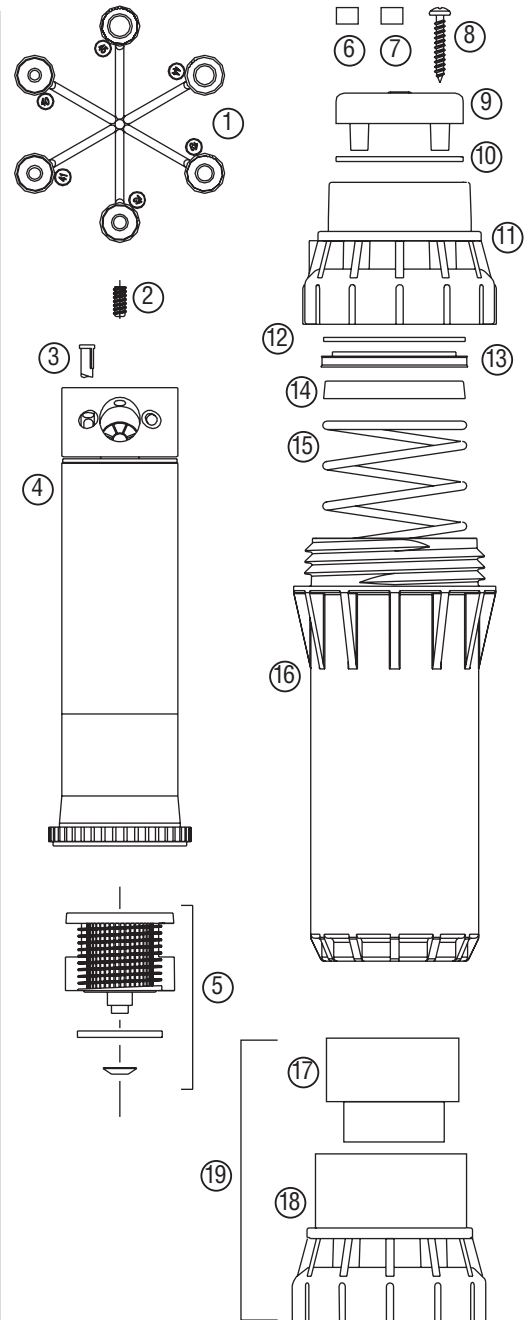
I-35 Sierra: Gear-Driven Sprinkler

Item	Description	Catalog No.	Price	
①	Nozzle Pack (1 each of 9, 12, 15, 18, 21, 24, 27, 30)	642200	\$8.00	
	Nozzles (Bag of 25)	#9 – Light Brown	616600	\$25.00
		#12 – Light Blue	782300	\$25.00
		#15 – Gray	784500	\$25.00
		#18 – Red	784900	\$25.00
		#21 – Dark Brown	785100	\$25.00
		#24 – Dark Green	785200	\$25.00
		#27 – Dark Blue	785300	\$25.00
#30 – Black	785400	\$25.00		
②	Nozzle Retainer Screw	616500	\$0.50	
③	Plastic Riser Assembly	641600	\$95.00	
④	Stainless Riser Assembly	642000	\$105.00	
	Stainless Riser Assembly (High Speed)	612300	\$155.00	
⑤	Filter Screen/Check Valve Assembly (White)	303700	\$1.00	
⑥	Rubber Cover Screw (1 required, not shown)	334000	\$0.75	
⑦	Rubber Cover Assembly	I-35 (Black)	613900	\$6.00
		I-35 SS (Black)	613905	\$6.00
		I-35 (Purple)	613910	\$7.00
		I-35 SS (Purple)	613915	\$7.00
		I-35 HS (Brown)	613920	\$7.00
⑧	Body Cap Assembly	649600	\$8.00	
⑨	Riser Seal Slip Washer	221800	\$0.25	
⑩	Riser Seal	221200	\$0.75	
⑪	Spring Seat	221100	\$0.35	
⑫	Retraction Spring	Plastic and Stainless Models	615600	\$15.00
		High-Speed Models	615700	\$21.00
⑬	Body	NPT	641305	\$15.00
		BSP	641310	\$15.00
⑭	I-25/I-35/I-40 Shut Off Cap	223200	\$5.00	
⑮	I-25/I-35/I-40 Blow Out Cap	345400	\$5.00	



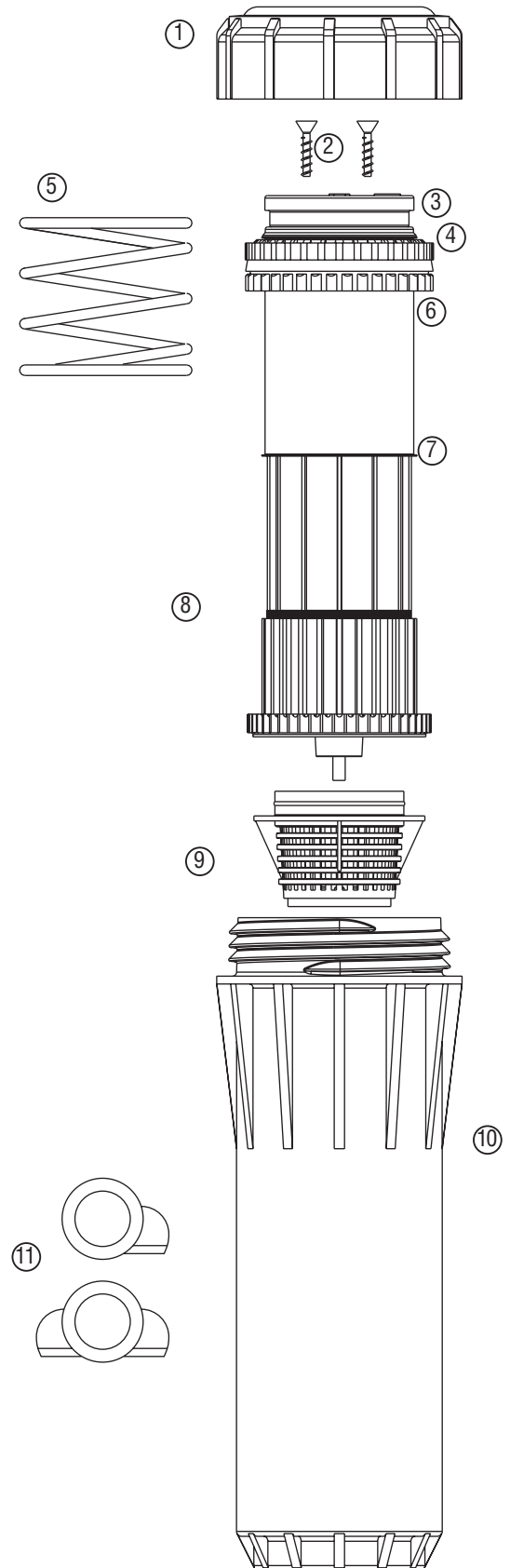
I-40-04, 06 Ultra: Gear-Driven Sprinklers

Item	Description	Catalog No.	Price	
①	Nozzle Rack (6 Black)	ADS/36S	462458	\$2.50
		I-40-ON	462459	\$4.00
②	Nozzle Retainer Screw	333900	\$0.50	
③	Diffuser Pin	245400	\$0.50	
④	Riser Assembly	I-40-04-SS	182200	\$105.00
		I-40-04-SS-HS	175700	\$155.00
		I-40-04-SS-ON	175800	\$115.00
		I-40-06-SS	175900	\$120.00
		I-40-06-SS-HS	176000	\$155.00
		I-40-06-SS-ON	176100	\$130.00
⑤	Filter Screen/Check Valve Assembly (White)	303700	\$1.00	
⑥	Model Number Button	I-40	252705	\$0.50
		Blank	252735	\$0.50
⑦	Feature Designation Button	Blank	252845	\$0.50
		HS	252855	\$0.50
		ON	252850	\$0.50
⑧	Rubber Cover Screw (2 Required)	334000	\$0.75	
⑨	Rubber Cover Assembly (Includes Part 10)	Black	345005	\$8.00
		Brown	345010	\$9.00
		Purple	345015	\$9.00
⑩	Rubber Cover Washer	253000	\$0.25	
⑪	Body Cap Assembly	221600	\$8.00	
⑫	Riser Seal Slip Washer	221800	\$0.25	
⑬	Riser Seal	221200	\$0.75	
⑭	Spring Seat	221100	\$0.35	
⑮	Retraction Spring	4"	221300	\$14.00
		6"	615700	\$21.00
⑯	Body	NPT (4")	336405	\$10.00
		BSP (4")	336410	\$10.00
		NPT (6")	614705	\$15.00
		BSP (6")	614710	\$15.00
⑰	Cup & Retainer Assembly – Turf Cup	344400	\$6.00	
⑱	Turf Cup Kit – Date Codes 9510 and After (Includes Parts 17 and 18 Plus Instructions. Does not work on ON models)	460000	\$10.00	
⑳	I-25/I-35/I-40 Shut Off Cap	223200	\$5.00	
㉑	I-25/I-35/I-40 Blow Out Cap	345400	\$5.00	



I-60: Gear-Driven Sprinklers

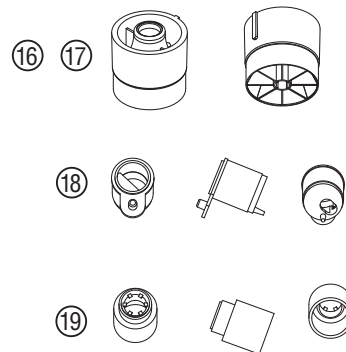
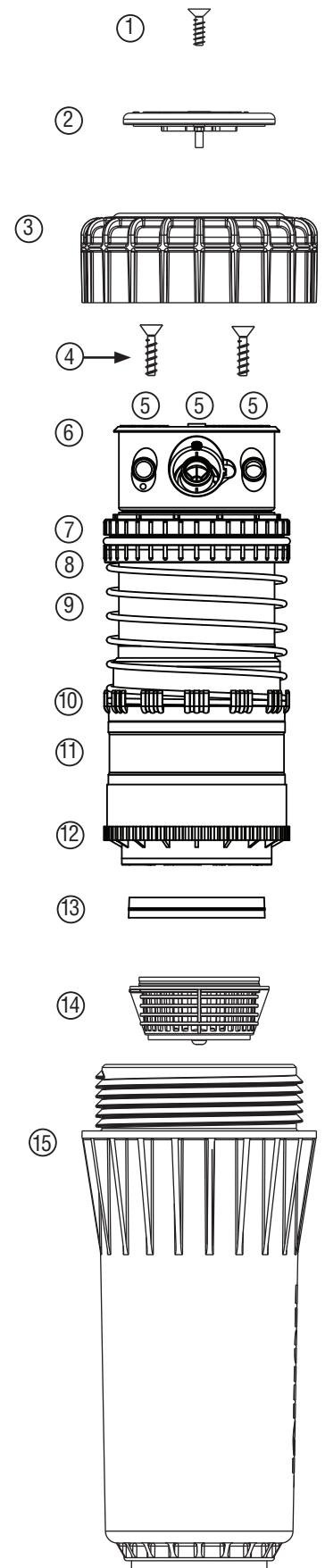
Item	Description	Catalog No.	Price	
①	Body Cap Assembly	431700	\$8.00	
②	Rubber Cover Screw (2 Required)	334000	\$0.75	
③	Rubber Cover Assembly	ADS (Black)	420300	\$6.00
		36S (Black)	420400	\$6.00
		ARS (Purple)	420305	\$7.00
		3RS (Purple)	420405	\$7.00
④	Diffuser Yoke	36S Only	350600	\$5.00
⑤	Spring		348700	\$16.00
⑥	Seal Assembly (Includes seal supports and stainless steel sleeve)		350100	\$13.00
⑦	Riser Assembly (Includes Parts 2, 3, 4, & 6)	ADS	432010	\$125.00
		36S	431810	\$125.00
		ARS	432110	\$130.00
		3RS	431910	\$130.00
⑧	Face Seal		557500	\$1.00
⑨	Filter Screen Assembly (with Check Valve)		422200	\$3.00
⑩	Body	NPT	420610	\$14.00
		BSP	420615	\$14.00
⑪	Nozzle Package (Includes 7, 10, 13, 15, 18, 20)	ADS	462373	\$6.50
		36S	462374	\$6.50
⑪	Nozzles (Bag of 25)	ADS #7 – Orange	472373	\$18.00
		#10 – Lt. Green	472374	\$18.00
		#13 – Lt. Blue	472375	\$18.00
		#15 – Gray	472376	\$18.00
		#18 – Red	472377	\$18.00
		#20 – Dk. Brown	472378	\$18.00
		36S #7 – Orange	463471	\$18.00
		#10 – Lt. Green	463472	\$18.00
		#13 – Lt. Blue	463473	\$18.00
		#15 – Gray	463474	\$18.00
#18 – Red	463475	\$18.00		
#20 – Dk. Brown	463476	\$18.00		



I-90: Gear-Driven Sprinkler

Item	Description	Catalog No.	Price	
①	Rubber Cover Screw (1 Required)	351800	\$0.80	
②	Rubber Cover Assembly	ADV (Black)	529000	\$8.00
		36V (Black)	528900	\$8.00
		ARV (Purple)	529005	\$9.00
		3RV (Purple)	528905	\$9.00
③	Body Cap Assembly	525000	\$18.00	
④	Retainer Cap Screws (2 Required)	334000	\$0.75	
⑤	Nozzle Retainer Screw (3 Required, not shown)	053143	\$0.80	
⑥	Retainer Cap	ADV, ARV	346800	\$5.00
		36V, 3RV	346700	\$5.00
⑦	Seal Block*	171700*	\$6.50	
⑧	O-Ring Seal*	171600*	\$3.00	
⑨	Retraction Spring*	171900*	\$16.00	
⑩	Face Seal - White*	406000*	\$2.50	
⑪	Bumper - Gray*	171805*	\$4.00	
⑫	Riser Assembly (Includes #4-10)	ADV, ARV	525500	\$180.00
		36V, 3RV	524400	\$180.00
⑬	Stator Adjustment Plate	052833	\$1.05	
⑭	Screen Assembly	525200	\$8.00	
⑮	Body	NPT	525100	\$25.00
		BSP	525105	\$25.00
⑯	Nozzle Pack (1 Each 33, 38, 43, 48, 53, 63)	461204	\$15.00	
⑰	Nozzle Pack (Bag of 25)	#33 - Gray	464363	\$25.00
		#38 - Red	464364	\$25.00
		#43 - Dk. Brown	464365	\$25.00
		#48 - Dk. Green	464366	\$25.00
		#53 - Dk. Blue	464367	\$25.00
		#63 - Black	464368	\$25.00
⑱	Short Range Nozzle (Left, Black) ADV, 36V, ARV, 3RV	439100	\$2.00	
⑲	Mid Range Nozzle	(Right, Green) ADV, ARV	439000	\$2.00
		(Right, Blue) 36V, 3RV	455400	\$2.00

*Parts 7-11 are required for the new I-90 seal replacement kit



STATEMENT OF WARRANTY

Hunter Industries Incorporated (“Hunter”) warrants the following products to be free of defects in materials or workmanship under normal use for a period of two (2) years from the original date of manufacture: PGP-ADJ®, PGJ, PS, PS Ultra, SRS, Pro-Spray®, Spray Nozzles, PCN, PCB, AFB, HPV, PGV family, Pro-ASV, SRV, SRC, XC family, Pro-C family, SRR, ROAM, SVC, WVP, WVS, MP Rotator, PLD, PACZ, PCZ, AVB, PSR, HCV, SJ, HFT family, SBE family, RZWS, ET System, and Solar Sync. Hunter warrants the following products to be free of defects in materials or workmanship under normal use for a period of three (3) years from the original date of manufacture: PGP Ultra family. Hunter warrants the following products to be free of defects in materials or workmanship under normal use for a period of one (1) year from the original date of manufacture: SRM family, Micro Sprays, and Stream Drippers. Hunter warrants the following products to be free of defects in materials or workmanship under normal use for a period of five (5) years from the original date of manufacture: Institutional Spray, G-Spray, MPR-40 family, I-20, I-25, I-35, I-40, I-60 and I-90 families, ICC, I-CORE, and ACC controller families, ICD Decoder Products, ICR Remotes, IMMS™ Central Control Products, “Clik” Sensors, HQ, ICV plastic and IBV brass valves, ICZ and PLD tubing. [If a defect in a Hunter product is discovered during the applicable warranty period, Hunter will repair or replace, at its option, the product or the defective part.] This warranty does not extend to repairs, adjustments, or replacement of a Hunter product or part that results from misuse, negligence, alteration, modification, tampering, or improper installation and/or maintenance of the product. This warranty extends only to the original installer of the Hunter product. If a defect arises in a Hunter product or part during the warranty period, you should contact your local Hunter Authorized Distributor.

HUNTER’S OBLIGATION TO REPAIR OR REPLACE ITS PRODUCTS AS SET FORTH ABOVE IS THE SOLE AND EXCLUSIVE WARRANTY SET FORTH BY HUNTER. THERE ARE NO OTHER WARRANTIES, EXPRESSED OR IMPLIED, INCLUDING WARRANTIES OF MERCHANTABILITY AND FITNESS FOR A PARTICULAR PURPOSE. HUNTER WILL NOT BE LIABLE TO ANY PARTY IN STRICT LIABILITY, TORT, CONTRACT, OR ANY OTHER MANNER FOR DAMAGES CAUSED OR CLAIMED TO BE CAUSED AS A RESULT OF ANY DESIGN OR DEFECT IN HUNTER’S PRODUCTS, OR FOR ANY SPECIAL, INCIDENTAL OR CONSEQUENTIAL DAMAGES OF ANY NATURE.

If you have any questions concerning the warranty or its application, please write to: Marketing Department, Hunter Industries Incorporated, 1940 Diamond Street, San Marcos, CA 92078, U.S.A.

ASAE CERTIFICATION STATEMENT

Hunter Industries Incorporated certifies that pressure, flow rate, and radius data for these products were determined and listed in accordance with ASAE Standard S398.1, Procedure for Sprinkler Testing and Performance Reporting, and are representative of performance of production sprinklers at the time of publication. Actual product performance may differ from the published specifications due to normal manufacturing variations and sample selection. All other specifications are solely the recommendation of Hunter Industries Incorporated.

U.S.A. HEADQUARTERS

1940 Diamond Street
San Marcos, California 92078
Tel: (1) 760-744-5240
Fax: (1) 760-744-7461
Technical Service: (1) 800-733-2823

INTERNET

www.hunterindustries.com
e-mail: information@hunterindustries.com

WORLDWIDE SALES OFFICES:

AUSTRALIA

8 The Parade West
Kent Town, South Australia 5067
TEL: (61) 8-8363-3599
FAX: (61) 8-8363-3687

EUROPE

Avda. Diagonal 523, 5° - 2°
Edificio Atalaya
08029 Barcelona, Spain
Tel: (34) 9-34-94-88-81
Fax: (34) 9-34-19-76-76

MIDDLE EAST

P.O. Box 211303
Amman, 11121 Jordan
Tel: (962) 6-515-2882
Fax: (962) 6-515-2992

CHINA

B1618, Huibin Office Bldg.
No. 8, Beichen Dong Street
Beijing 100101 China
Tel/Fax: (86) 10-84975146
Mobile: (86) 13901321516

MANUFACTURING:

MEXICO

Calle Nordika #8615
Parque Industrial Nordika
Tijuana, B.C. Mexico C.P. 22709
Tel: (52) 664-903-1300
Fax: (52) 664-903-8078