



Hunter®



# VALVE PARTS PRICELIST

ROTORS SPRAYS VALVES CONTROLLERS SENSORS CENTRAL CONTROLS ACCESSORIES

# 10

EFFECTIVE NOVEMBER 2009





IN THIS PHOTO:  
**PGV JAR-TOP**

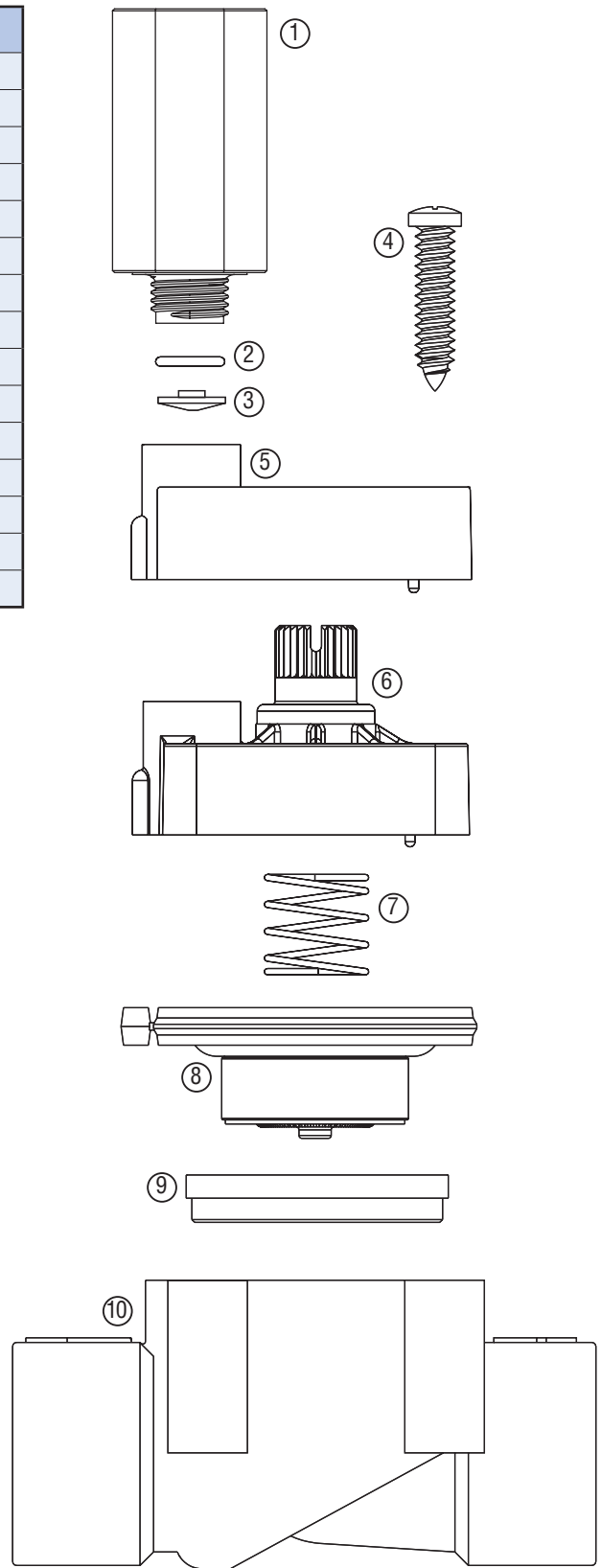
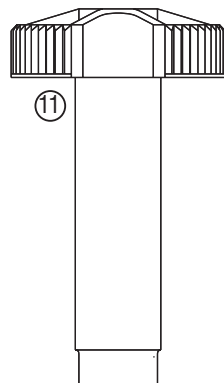


# TABLE OF CONTENTS

- SRV: Plastic Valve ..... 1
- AVB: Plastic Valve ..... 2
- PGV-ASV: Plastic Valve (6-Bolt Bonnet Design)..... 3
- PRO-ASV: Plastic Valve..... 4
- PGV-100G/101G: Plastic Valves ..... 5
- PGV Jar-Top: Plastic Valve..... 6
- PGV-100A/101A: Plastic Valves..... 7
- PGV-151G, 201G: Plastic Valves ..... 8
- HPV: Plastic Valve ..... 9
- ICV-101G, 151G & 201G: Plastic Valves..... 10
- ICV-301: Plastic Valve ..... 11
- IBV-101G, 151G & 201G: Brass Valves..... 12
- IBV-301G: Brass Valves..... 13
- Accu-Set™: Pressure Regulator ..... 14
- HBV: Brass Valve ..... 15-16
- HQ3RC: Quick Coupler Valve..... 17
- HQ33RC, HQ33LRC, HQ33LRCR: Quick Coupler Valve ..... 18
- HQ44RC, HQ44LRC, HQ44LRCR: Quick Coupler Valve ..... 19
- HQ44RCAW, HQ44LRCAW, HQ44LRCAWR: Quick Coupler Valve ..... 20
- HQ5RC, HQ5LRC, HQ5LRCR: Quick Coupler Valve..... 21
- ICZ-101: Drip Control Zone Kit..... 22
- PCZ-101: Drip Control Zone Kit..... 23
- ACZ-075: Drip Control Zone Kit..... 24

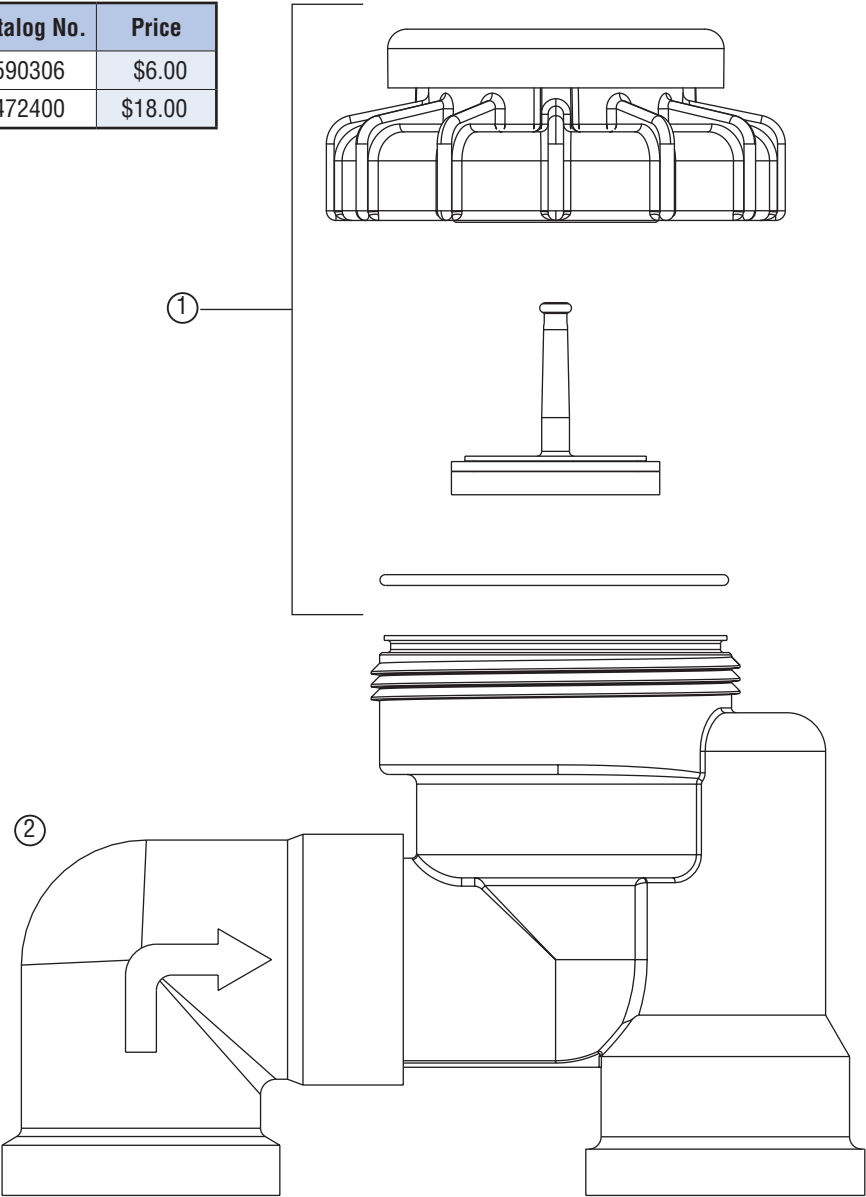
# SRV: Plastic Valve

Item	Description		Catalog No.	Price
①	Solenoid Assembly <i>(Includes Parts 2 &amp; 3)</i>	AC Solenoid	606800	\$13.00
		DC Solenoid	458200	\$43.00
②	O-Ring		262600	\$1.00
③	Solenoid Seal		364400	\$1.00
④	Bonnet Screw		331700	\$1.00
⑤	Bonnet without Flow Control		331100	\$6.00
⑥	Bonnet with Flow Control		379400	\$10.00
⑦	Diaphragm Spring		266000	\$1.50
⑧	Diaphragm Assembly		332100	\$12.00
⑨	Diaphragm Support Ring		331300	\$1.00
⑩	Body	NPT Thread	331005	\$15.00
		BSP Thread	331010	\$15.00
		Slip	331015	\$12.00
⑪	Flow Control Handle	Black	269200	\$2.00
		Purple	269205	\$2.00



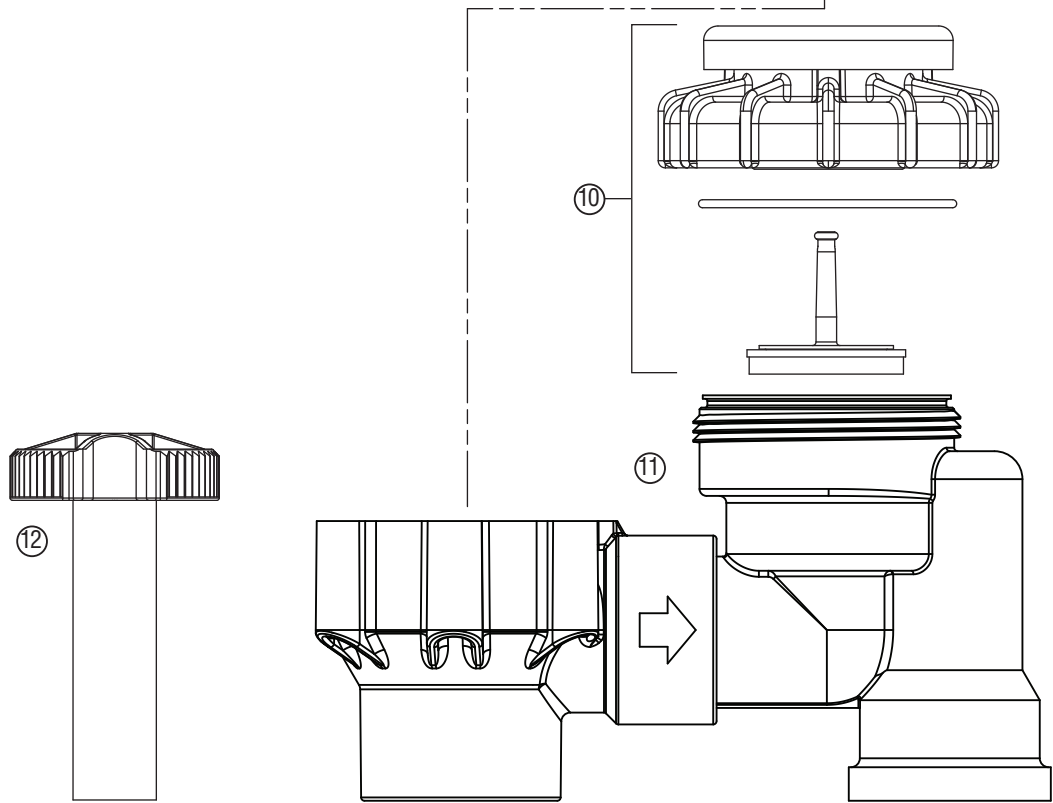
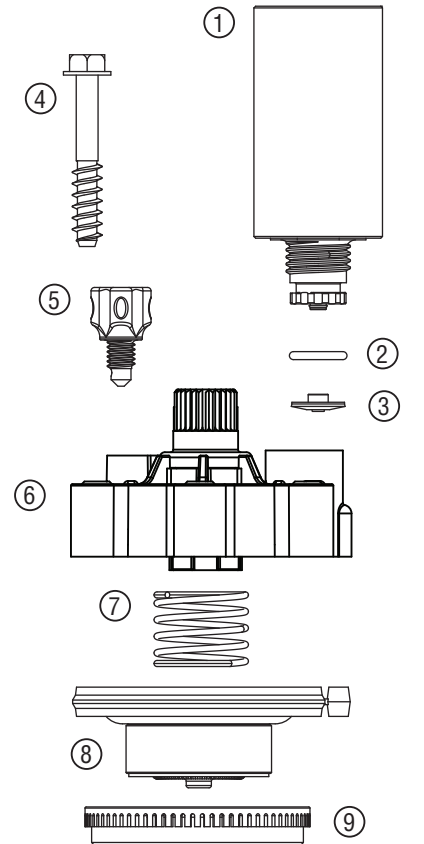
# AVB: Plastic Valve

Item	Description	Catalog No.	Price
①	1" AVB/ASV Repair Kit	590306	\$6.00
②	1" AVB Body	472400	\$18.00



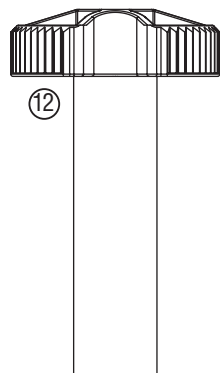
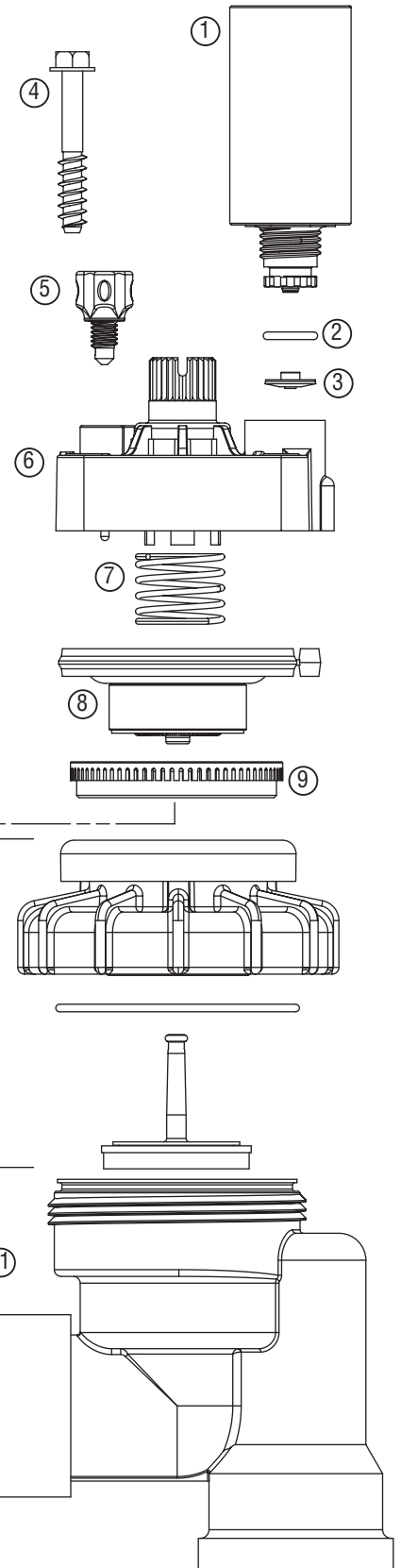
# PGV-ASV: Plastic Valve (6-Bolt Bonnet Design)

Item	Description		Catalog No.	Price
①	Solenoid Assembly <i>(Includes Parts 2 &amp; 3)</i>	AC Solenoid	606800	\$13.00
		DC Solenoid	458200	\$43.00
②	O-Ring		262600	\$1.00
③	Solenoid Seal		364400	\$1.00
④	Bonnet Screw		427300	\$1.50
⑤	Bleed Screw		546700	\$1.00
⑥	Bonnet with Flow Control & Bleed Screw		187100	\$16.00
⑦	Diaphragm Spring		266000	\$1.50
⑧	Diaphragm Assembly		332100	\$12.00
⑨	Diaphragm Support Ring		331300	\$1.00
⑩	AVB/ASV Repair Kit	¾"	590307	\$5.50
		1"	590306	\$6.00
⑪	Body	¾" NPT	154210	\$18.00
		¾" Slip	154215	\$15.00
		1" NPT	154200	\$20.00
		1" Slip	154205	\$17.00
⑫	Flow Control Handle	Black	269200	\$2.00
		Purple	269205	\$2.00



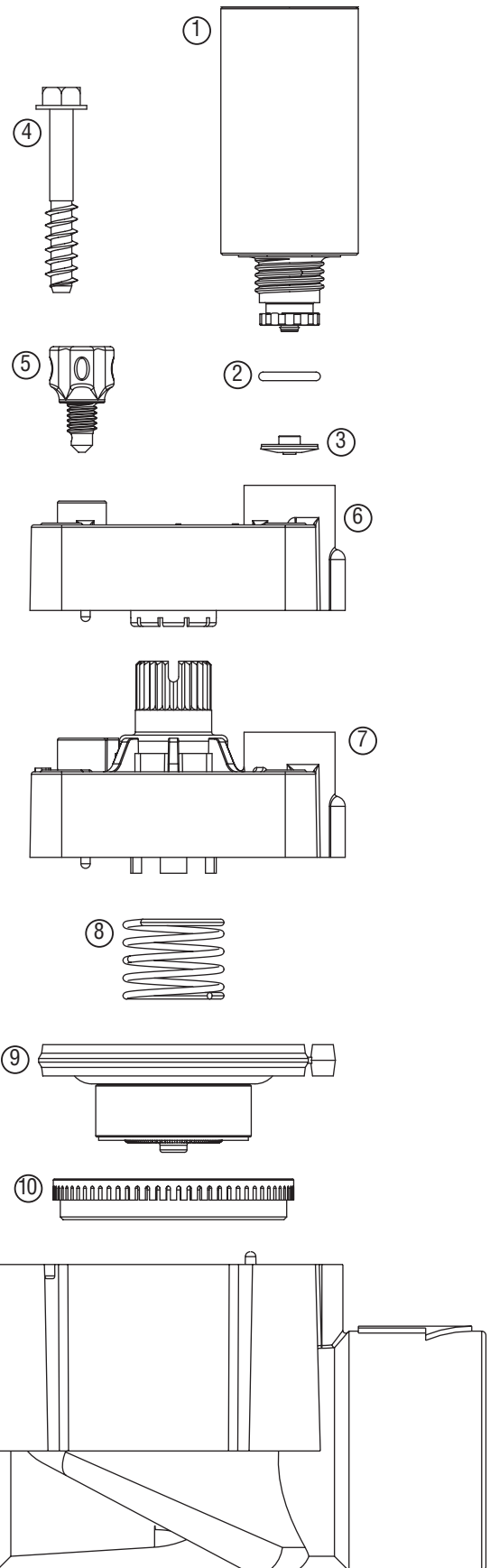
# PRO-ASV: Plastic Valve

Item	Description		Catalog No.	Price
①	Solenoid Assembly <i>(Includes Parts 2 &amp; 3)</i>	AC Solenoid	606800	\$13.00
		DC Solenoid	458200	\$43.00
②	O-Ring		262600	\$1.00
③	Solenoid Seal		364400	\$1.00
④	Bonnet Screw		427300	\$1.50
⑤	Bleed Screw		546700	\$1.00
⑥	Bonnet with Flow Control & Bleed Screw		556000	\$16.00
⑦	Diaphragm Spring		266000	\$1.50
⑧	Diaphragm Assembly		332100	\$12.00
⑨	Diaphragm Support Ring		331300	\$1.00
⑩	AVB/ASV Repair Kit	3/4"	590307	\$5.50
		1"	590306	\$6.00
⑪	Body	3/4" NPT	438100	\$18.00
		3/4" Slip	438105	\$15.00
		1" NPT	437700	\$20.00
		1" Slip	437705	\$17.00
⑫	Flow Control Handle	Black	269200	\$2.00
		Purple	269205	\$2.00



# PGV-100G/101G: Plastic Valves

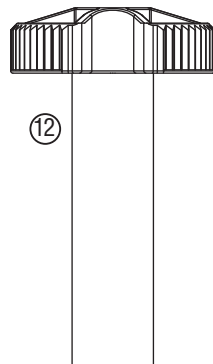
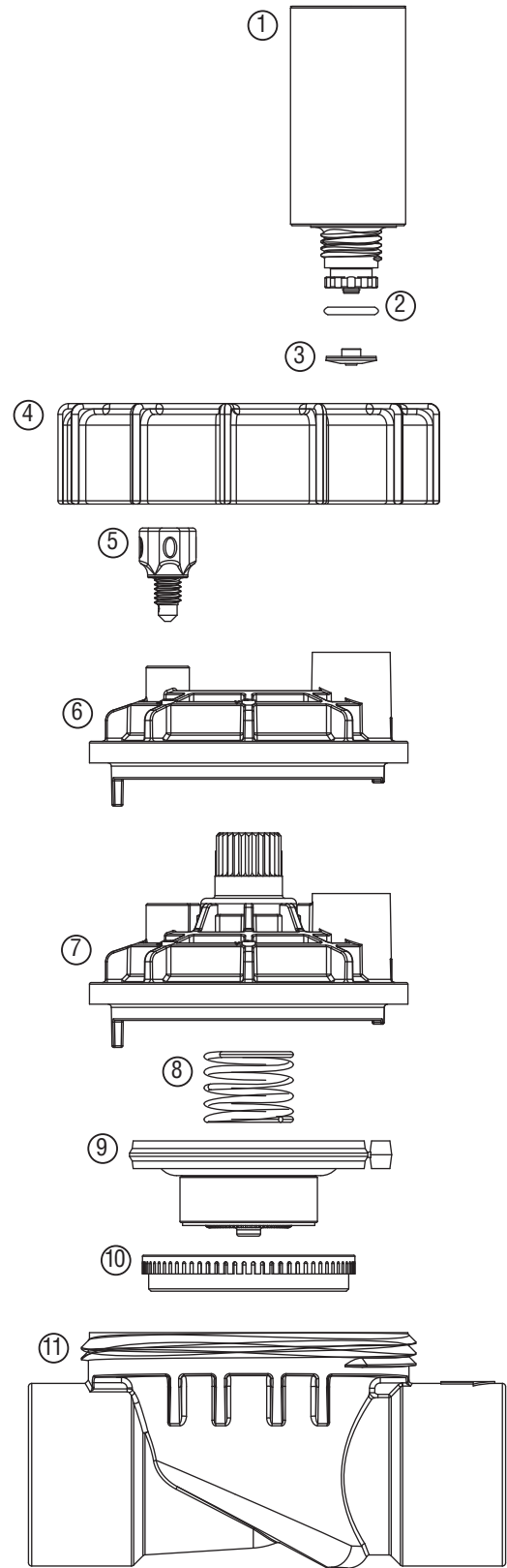
Item	Description	Catalog No.	Price	
①	Solenoid Assembly <i>(Includes Parts 2 &amp; 3)</i>	AC Solenoid	606800	\$13.00
		DC Solenoid	458200	\$43.00
②	O-Ring	262600	\$1.00	
③	Solenoid Seal	364400	\$1.00	
④	Bonnet Screw	427300	\$1.50	
⑤	Bleed Screw	546700	\$1.00	
⑥	Bonnet without Flow Control with Bleed Screw	556100	\$12.00	
⑦	Bonnet with Flow Control & Bleed Screw	556000	\$16.00	
⑧	Diaphragm Spring	266000	\$1.50	
⑨	Diaphragm Assembly	332100	\$12.00	
⑩	Diaphragm Support Ring	331300	\$1.00	
⑪	Body	Female, NPT Thread	457700	\$14.00
		Female, BSP Thread	457705	\$14.00
		Female, Slip x Slip	457710	\$12.00
		Male x Male, NPT	433400	\$14.00
		Male x Male, BSP	433405	\$14.00
		Male x Barb, NPT	460700	\$14.00
		Male x Barb, BSP	460705	\$14.00
		Male x Barb, 1¼"	604800	\$14.00
⑫	Flow Control Handle	Black	269200	\$2.00
		Purple	269205	\$2.00





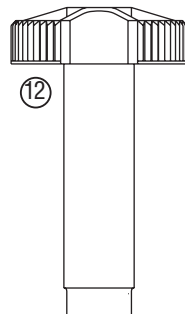
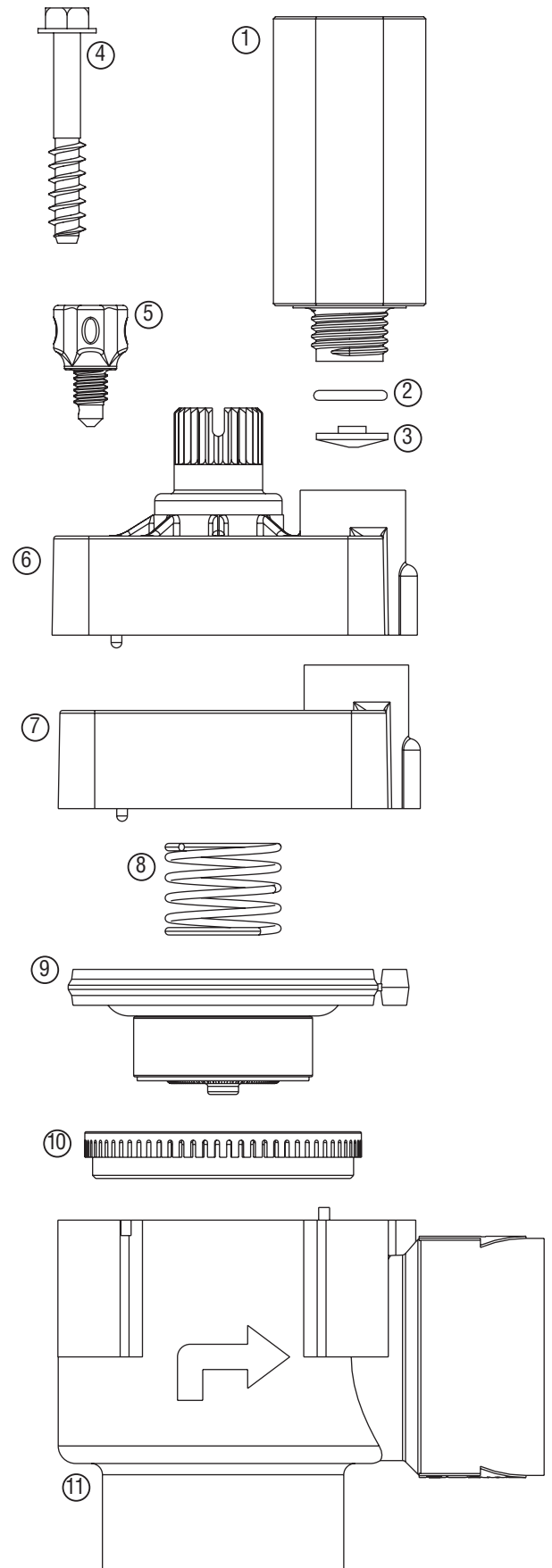
# PGV Jar-Top: Plastic Valve

Item	Description		Catalog No.	Price
①	Solenoid Assembly <i>(Includes Parts 2 &amp; 3)</i>	AC Solenoid	606800	\$13.00
		DC Solenoid	458200	\$43.00
②	O-Ring		262600	\$1.00
③	Solenoid Seal		364400	\$1.00
④	Bonnet Ring		476100	\$5.00
⑤	Bleed Screw		546700	\$1.00
⑥	Bonnet Assembly <i>(No Flow Control)</i>		476700	\$12.00
⑦	Bonnet Assembly <i>(With Flow Control)</i>		476800	\$16.00
⑧	Diaphragm Spring		266000	\$1.50
⑨	Diaphragm Assembly		332100	\$12.00
⑩	Diaphragm Support Ring		331300	\$1.00
⑪	Body	Female NPT	476300	\$15.00
		Female Slip x Female Slip	476310	\$15.00
		MPT x MPT	476600	\$15.00
		Male x 3/4" Poly Barb	612200	\$20.00
		Male x 1" Poly Barb	476200	\$20.00
		Male x 1 1/4" Poly Barb	477300	\$20.00
		Female, BSP	476305	\$15.00
		Male x Male, BSP	476605	\$15.00
⑫	Flow Control Handle	Black	269200	\$2.00
		Purple	269205	\$2.00



# PGV-100A/101A: Plastic Valves

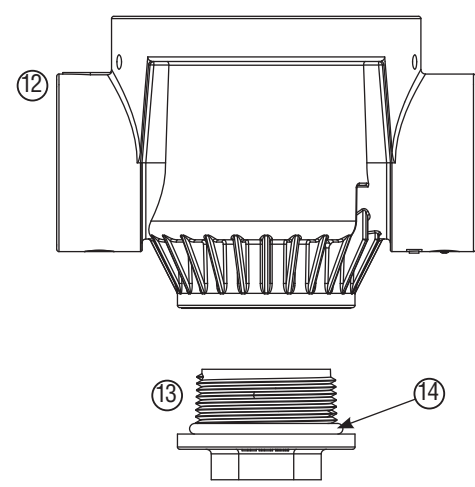
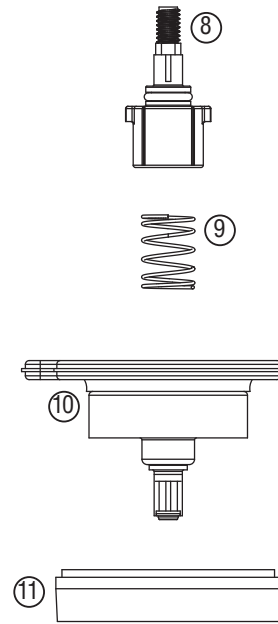
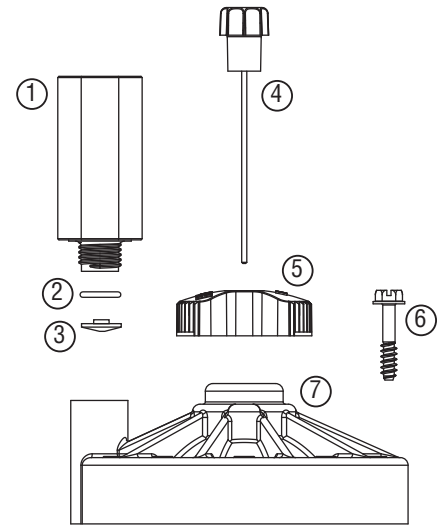
Item	Description	Catalog No.	Price	
①	Solenoid Assembly <i>(Includes Parts 2 &amp; 3)</i>	AC Solenoid	606800	\$13.00
		DC Solenoid	458200	\$43.00
②	O-Ring	262600	\$1.00	
③	Solenoid Seal	364400	\$1.00	
④	Bonnet Screw	427300	\$1.50	
⑤	Bleed Screw	546700	\$1.00	
⑥	Bonnet with Flow Control & Bleed Screw	556000	\$16.00	
⑦	Bonnet without Flow Control w/ Bleed Screw	556100	\$12.00	
⑧	Diaphragm Spring	266000	\$1.50	
⑨	Diaphragm Assembly	332100	\$12.00	
⑩	Diaphragm Support Ring	331300	\$1.00	
⑪	Body	407000	\$20.00	
⑫	Flow Control Handle	Black	269200	\$2.00
		Purple	269205	\$2.00





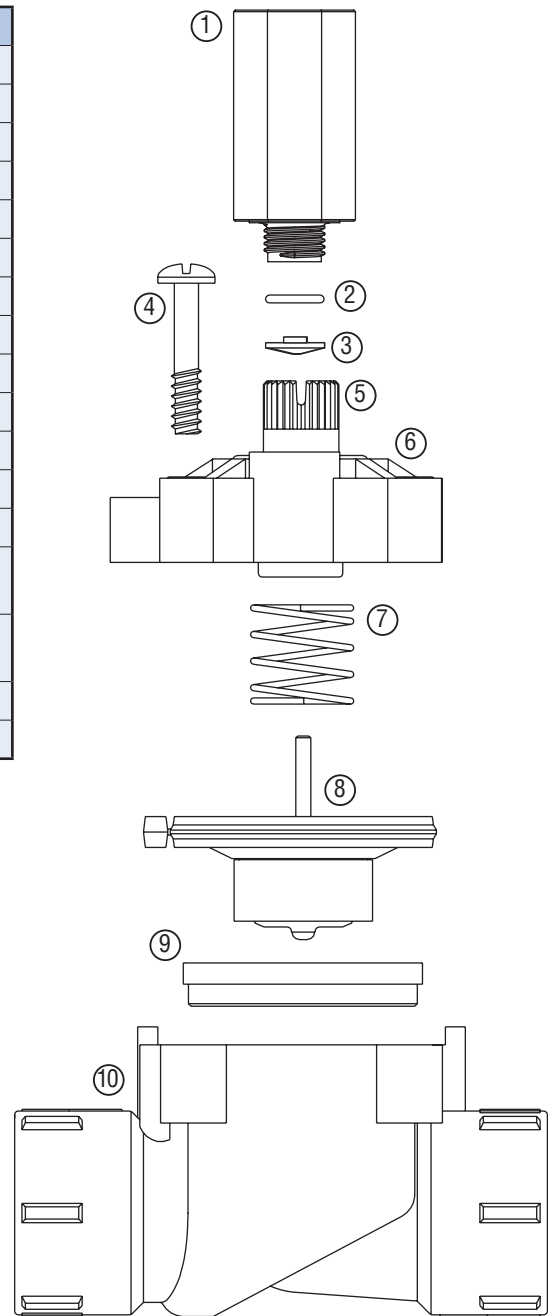
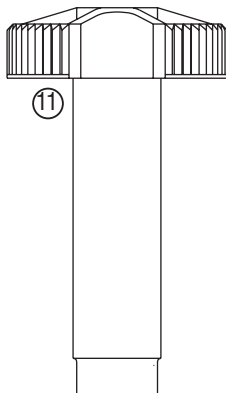
# PGV-151G, 201G: Plastic Valves

Item	Description	Catalog No.	Price
①	Solenoid Assembly <i>(Includes Parts 2 &amp; 3)</i>	AC Solenoid	606800 \$13.00
		DC Solenoid	458200 \$43.00
②	O-Ring	262600	\$1.00
③	Solenoid Seal	364400	\$1.00
④	Bleed Screw Assembly	561500	\$6.00
⑤	Flow Control Handle	Black	607100 \$2.00
		Purple	607105 \$2.00
	Flow Control Handle <i>old style (w/o bleed assembly)</i>	Black	412700 \$2.00
		Purple	412705 \$2.00
⑥	Bonnet Screw	472800	\$1.50
⑦	Bonnet	1½"	414000 \$20.00
		2"	415500 \$25.00
⑧	Flow Control Stem	1½"	421500 \$10.00
		2"	414600 \$15.00
⑨	Spring	1½"	412300 \$2.00
		2"	414200 \$2.50
⑩	Diaphragm Assembly	1½"	414100 \$20.00
		2"	415600 \$28.00
⑪	Diaphragm Support	1½"	413100 \$2.00
		2"	414800 \$4.00
⑫	Body	1½" NPT	433200 \$45.00
		1½" BSP	433205 \$45.00
		2" NPT	433300 \$60.00
		2" BSP	433305 \$60.00
⑬	Body Plug without O-Ring	1½" NPT	413800 \$8.00
		1½" BSP	413805 \$8.00
		2" NPT	415300 \$12.00
		2" BSP	415305 \$12.00
⑭	Plug O-Ring	1½"	413900 \$1.00
		2"	415400 \$2.00



# HPV: Plastic Valve

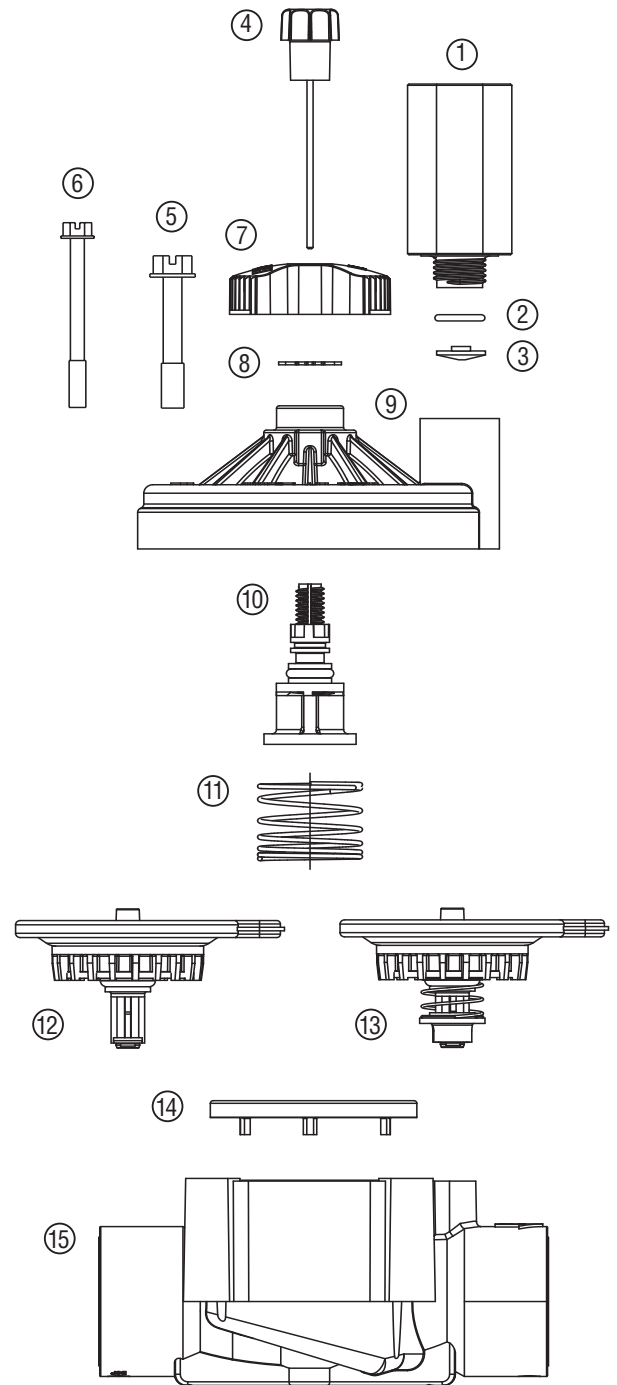
Item	Description	Catalog No.	Price	
①	Solenoid Assembly <i>(Includes Parts 2 &amp; 3)</i>	AC Solenoid	606800	\$13.00
		DC Solenoid	458200	\$43.00
②	O-Ring	262600	\$1.00	
③	Solenoid Seal	364400	\$1.00	
④	Bonnet Screw	266100	\$1.50	
⑤	Bonnet with Flow Control	266702	\$16.00	
⑥	Bonnet without Flow Control	266602	\$12.00	
⑦	Diaphragm Spring	266000	\$1.50	
⑧	Diaphragm Assembly	266902	\$16.00	
⑨	Diaphragm Support Ring	265000	\$1.00	
⑩	Body	Globe, NPT Thread	296605	\$12.00
		Globe, BSP Thread	296610	\$12.00
		Globe, Slip	296615	\$9.00
		Angle, NPT Thread <i>(Not Shown)</i>	339600	\$18.00
		Angle, BSP Thread <i>(Not Shown)</i>	339605	\$18.00
⑪	Flow Control Handle	Black	269200	\$2.00
		Purple	269205	\$2.00





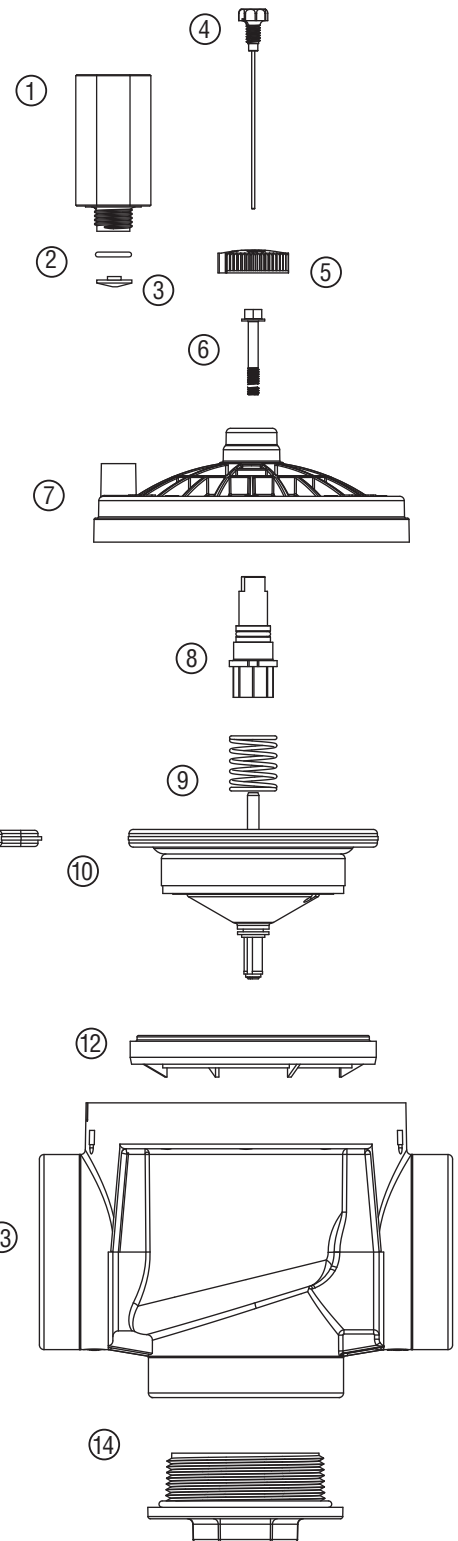
# ICV-101G, 151G & 201G: Plastic Valves

Item	Description	Catalog No.	Price	
①	Solenoid Assembly	AC Solenoid	606800	\$13.00
	(Includes Parts 2 & 3)	DC Solenoid	458200	\$43.00
②	O-Ring	262600	\$1.00	
③	Solenoid Seal	364400	\$1.00	
④	Bleed Assembly (1", 1½", 2" Models)	1"	561400	\$6.00
		1½" & 2"	561500	\$6.00
⑤	Bonnet Bolt (1" Model)	386900	\$2.50	
⑥	Bonnet Bolt (1½" & 2" Models)	366700	\$2.50	
⑦	Flow Control Handle	Black	561200	\$2.50
		Purple	561205	\$2.50
⑧	Flow Control Handle (Previous style)	Black	385900	\$2.50
		Purple	385905	\$2.50
⑨	E-Clip Retainer	1"	387200	\$1.00
		1½" & 2"	371600	\$1.00
⑩	Bonnet Assembly	1"	387700	\$16.00
		1½" & 2"	380600	\$32.00
⑪	Flow Control Stem	1"	387900	\$10.00
		1½" & 2"	560800	\$15.00
⑫	Spring	1"	386700	\$1.50
		1½" & 2"	365400	\$4.00
⑬	Diaphragm Assembly – Standard	1"	387800	\$22.00
		1½" & 2"	374500	\$30.00
⑭	Diaphragm Assembly with Filter Sentry Mechanism	1"	461503	\$40.00
		1½" & 2"	461818	\$50.00
⑮	Diaphragm Support Ring	1"	385700	\$1.00
		1½" & 2"	365900	\$4.00
⑯	Body	1" NPT	387600	\$45.00
		1" BSP	387605	\$45.00
		1½" NPT	384800	\$75.00
		1½" BSP	374805	\$75.00
		2" NPT	374400	\$105.00
		2" BSP	365505	\$105.00
⑰	Filter Sentry/Reclaimed (Purple) Tag (not shown)	700392	\$2.50	



# ICV-301: Plastic Valve

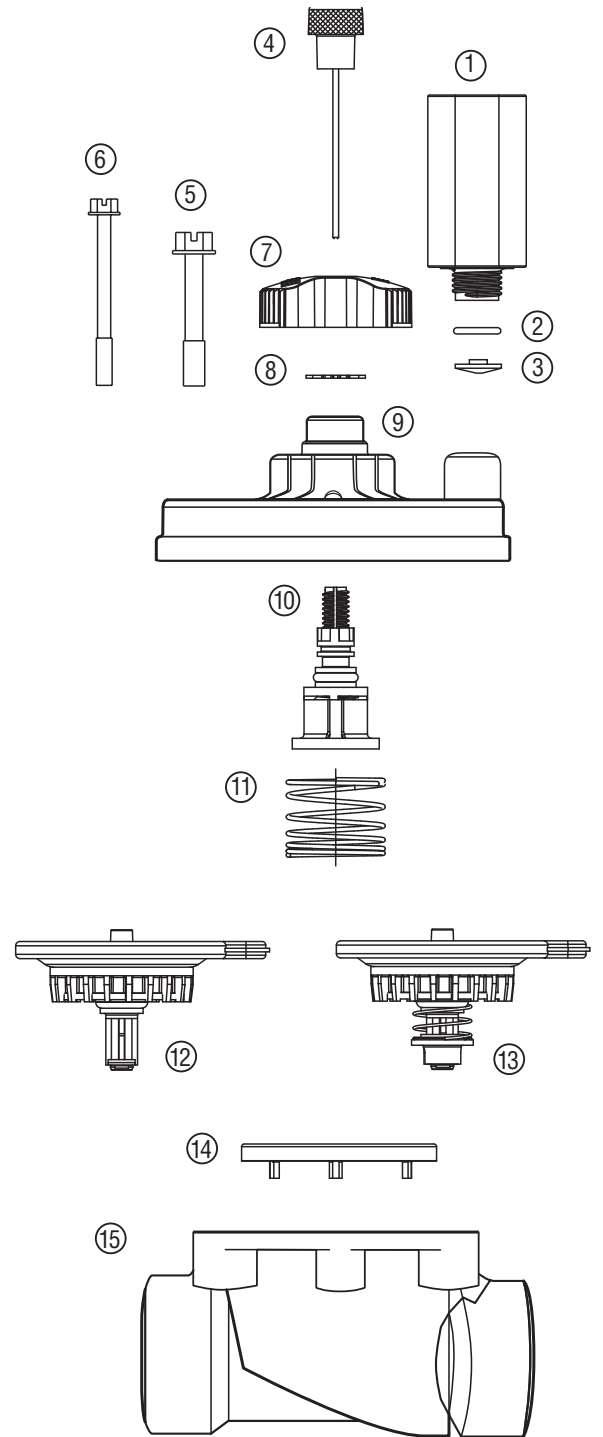
Item	Description	Catalog No.	Price	
①	Solenoid Assembly <i>(Includes Parts 2 &amp; 3)</i>	AC Solenoid	606800	\$13.00
		DC Solenoid	458200	\$43.00
②	O-Ring	262600	\$1.00	
③	Solenoid Seal	364400	\$1.00	
④	Bleed Assembly	518800	\$6.00	
⑤	Flow Control Knob	Black	515000	\$6.00
		Purple	515005	\$6.00
⑥	Bonnet Bolt	386900	\$2.50	
⑦	Bonnet Assembly	519100	\$29.00	
⑧	Flow Control Stem	516100	\$45.00	
⑨	Diaphragm Spring	518000	\$5.00	
⑩	Diaphragm Assembly	518900	\$40.00	
⑪	Filter Sentry Diaphragm Assembly	518905	\$60.00	
⑫	Diaphragm Support	514600	\$6.00	
⑬	Body Assembly	NPT	514400	\$145.00
		BSP	514405	\$145.00
⑭	Port Plug Assembly including O-Ring	NPT	514900	\$20.00
		BSP	514905	\$20.00





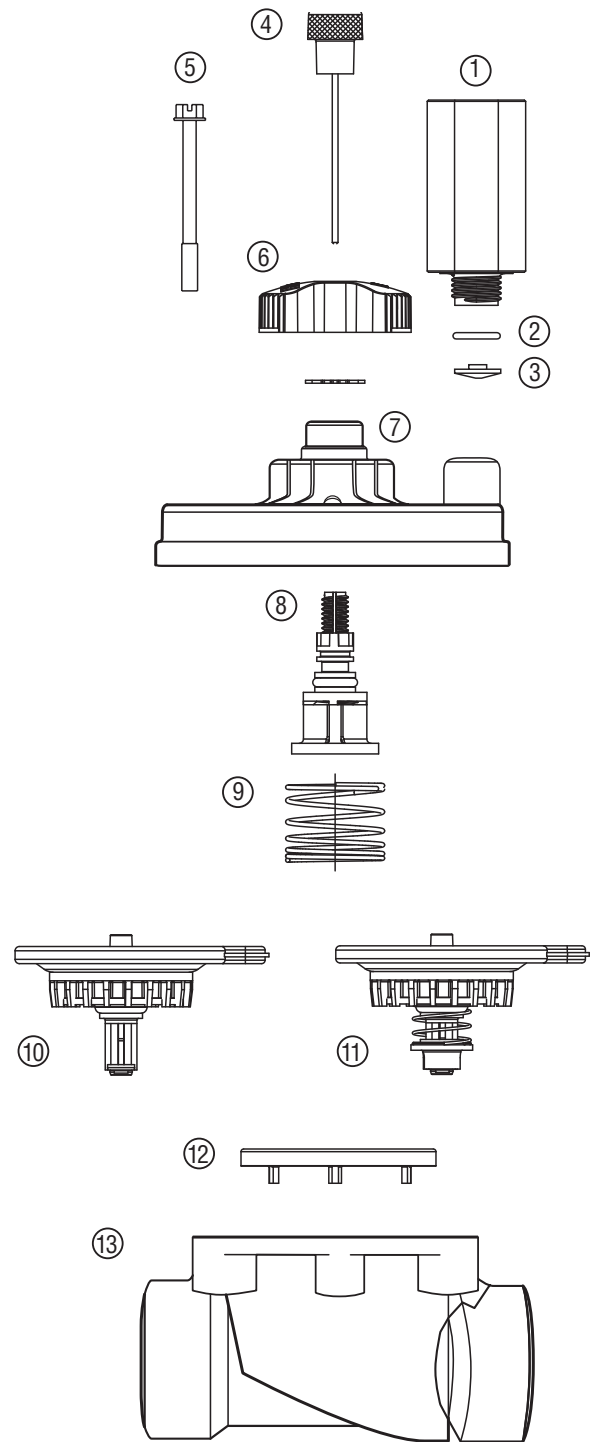
# IBV-101G, 151G & 201G: Brass Valves

Item	Description	Catalog No.	Price	
①	Solenoid Assembly <i>(Includes Parts 2 &amp; 3)</i>	AC Solenoid	606800	\$13.00
		DC Solenoid	458200	\$43.00
②	O-Ring	262600	\$1.00	
③	Solenoid Seal	364400	\$1.00	
④	Bleed Assembly <i>(1", 1½", 2" Models)</i>	1"	211100	\$6.00
		1½" & 2"	211200	\$6.00
⑤	Bonnet Bolt <i>(1" Model)</i>	669000	\$2.50	
⑥	Bonnet Bolt <i>(1½" &amp; 2" Models)</i>	669000	\$2.50	
⑦	Flow Control Handle	Brass	211400	\$10.00
⑧	E-Clip Retainer	1"	387200	\$1.00
		1½" & 2"	371600	\$1.00
⑨	Bonnet	1"	212000	\$75.00
		1½" & 2"	212200	\$100.00
⑩	Flow Control Stem	1"	662900	\$40.00
		1½" & 2"	663000	\$50.00
⑪	Spring	1"	386700	\$1.50
		1½" & 2"	365400	\$4.00
⑫	Diaphragm Assembly - Standard	1"	387800	\$22.00
		1½" & 2"	374500	\$30.00
⑬	Diaphragm Assembly with Filter Sentry Mechanism	1"	461503	\$40.00
		1½" & 2"	461818	\$50.00
⑭	Diaphragm Support	1"	385700	\$1.00
		1½" & 2"	365900	\$4.00
⑮	Body	1" NPT	212400	\$100.00
		1" BSP	212405	\$100.00
		1½" NPT	212500	\$175.00
		1½" BSP	212505	\$175.00
		2" NPT	212600	\$200.00
		2" BSP	212605	\$200.00



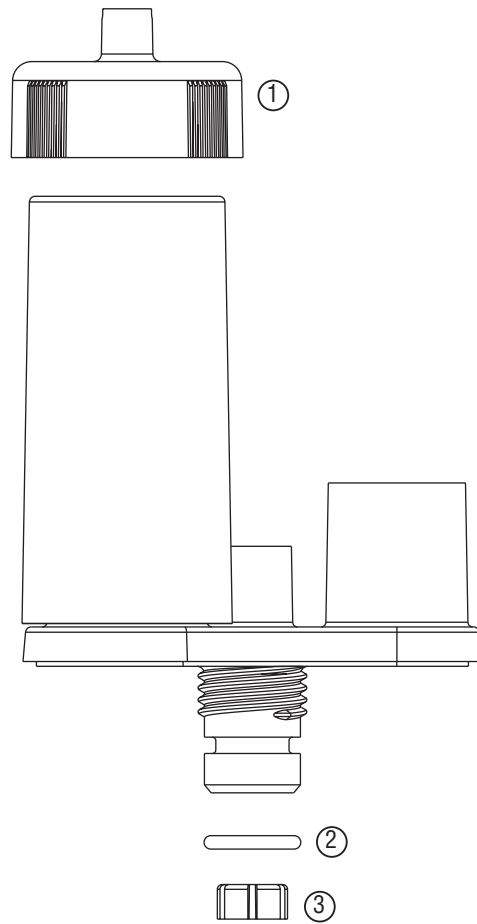
# IBV-301G: Brass Valves

Item	Description	Catalog No.	Price	
①	Solenoid Assembly <i>(Includes Parts 2 &amp; 3)</i>	AC Solenoid	606800	\$13.00
		DC Solenoid	458200	\$43.00
②	O-Ring	262600	\$1.00	
③	Solenoid Seal	364400	\$1.00	
④	Bleed Assembly <i>(3" Model)</i>	211300	\$6.00	
⑤	Bonnet Bolt <i>(3" Model)</i>	669000	\$2.50	
⑥	Flow Control Handle	Brass	211400	\$2.50
⑦	Bonnet Assembly	3"	212300	\$250.00
⑧	Flow Control Stem	3"	665600	\$40.00
⑨	Spring	1"	518000	\$1.50
⑩	Diaphragm Assembly - Standard	3"	518900	\$22.00
⑪	Diaphragm Assembly with Filter Sentry Mechanism	3"	518905	\$40.00
⑫	Diaphragm Support	3"	514600	\$5.00
⑬	Body	3" NPT	212800	\$500.00
		3" BSP	212805	\$500.00

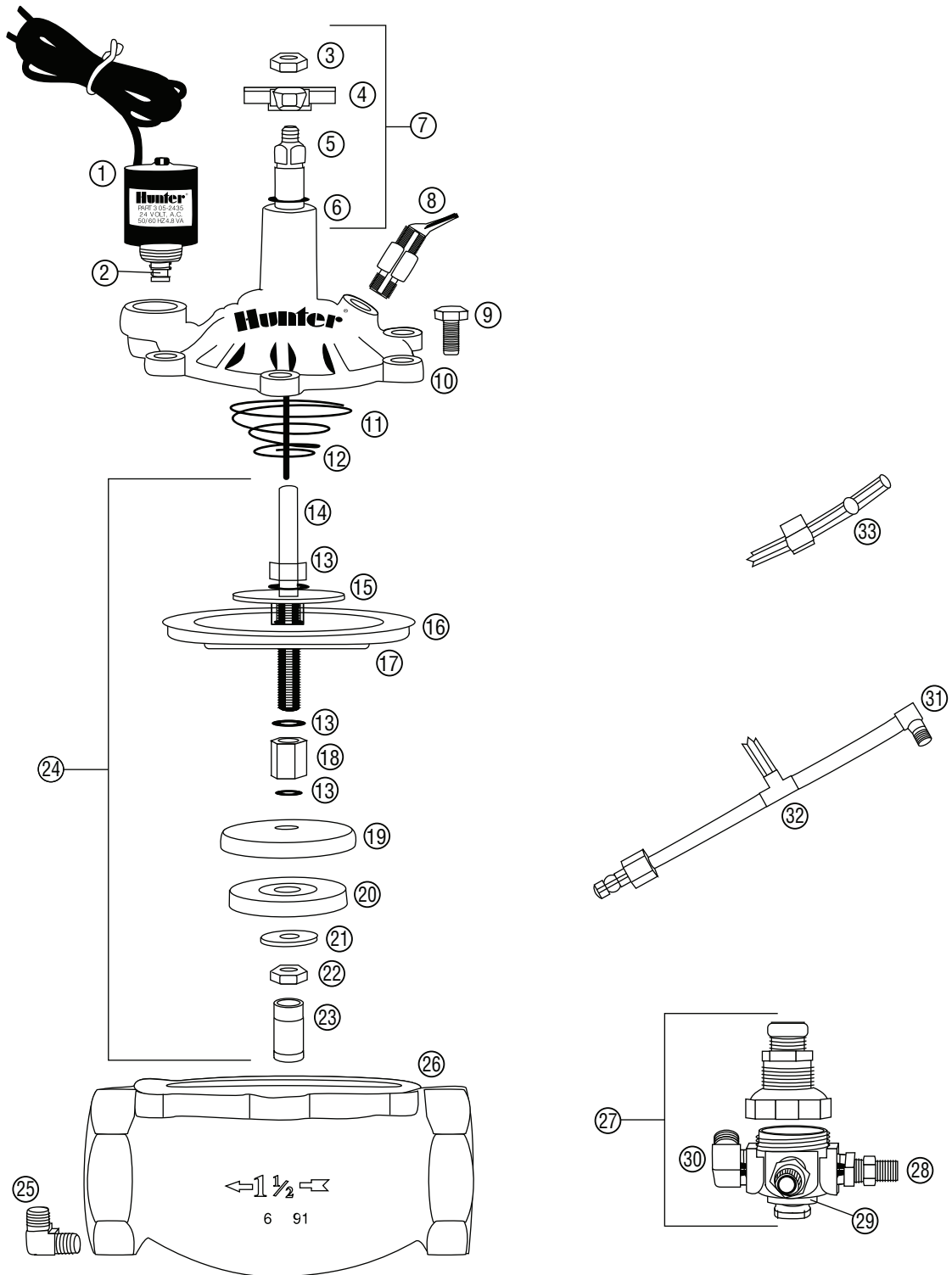


# Accu-Set™: Pressure Regulator

Item	Description	Catalog No.	Price
①	Adjustment Knob	368500	\$5.00
②	O-Ring	262600	\$1.00
③	Inlet Seal	368200	\$1.00



# HBV: Brass Valve



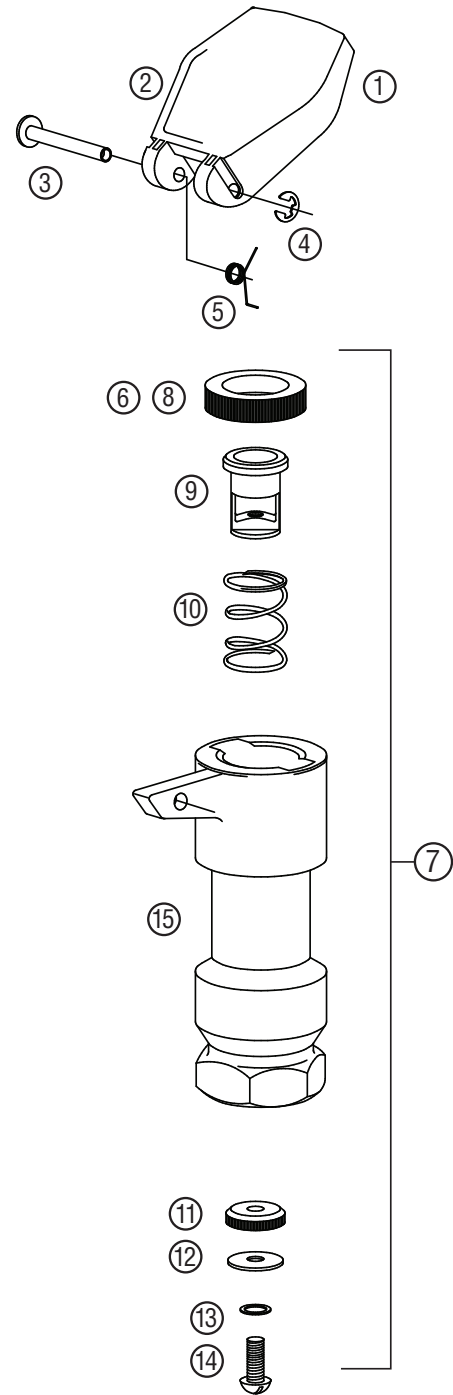


# HBV: Brass Valve

Item	Description	1" Model	Price	1½" Model	Price	2" Model	Price	3" Model	Price	
①	Solenoid-2 Watt Standard	S16304	\$34.07	S16304	\$34.07	S16304	\$34.07	S16304	\$34.07	
②	Solenoid Plunger	S16010-2	\$9.00	S16010-2	\$9.00	S16010-2	\$9.00	S16010-2	\$9.00	
③	Flow Control Nut	S16001	\$0.47	S16002	\$0.74	S16002	\$0.74	S16002	\$0.74	
④	Flow Control Cross Handle	S16034	\$2.70	S16035	\$5.24	S16035	\$5.24	S16035	\$5.24	
⑤	Flow Control Stem	S16081	\$5.75	S16004	\$11.26	S16004	\$11.26	S19000	\$27.04	
⑥	Flow Control O-Ring	S16005	\$0.68	S16006	\$0.74	S16006	\$0.74	S16006	\$0.74	
⑦	Flow Control Assembly (Includes Parts 2-5 & 10)									
		S16207-L	\$8.92	S16209	\$17.24	S16209	\$17.24	S16221	\$33.03	
⑧	Manual Toggle Valve with Fitting	S16542	\$31.77	S16542	\$31.77	S16542	\$31.77	S16542	\$31.77	
⑨	Diaphragm Cap Bolt	S16042	\$0.91	S16041	\$1.12	S16041	\$1.12	S19004	\$1.35	
⑩	Standard Diaphragm Cap	S16047-HT	\$23.39	S16049-HT	\$39.62	S16049-HT	\$39.62	S19013-HT	\$141.53	
	Pressure Regulating Diaphragm Cap	S16047-3HT	\$25.35	S16049-3HT	\$42.25	S16049-3HT	\$42.25	S19013-3HT	\$144.51	
⑪	Cleaning Rod	S16036-L	\$2.03	S16038-L	\$2.57	S16038-L	\$2.57	S19009	\$3.14	
⑫	Diaphragm Spring	S16051	\$2.26	S16052	\$2.70	S16052	\$2.70	S19017	\$3.72	
⑬	Fiber Washer	S16053	\$0.24	S16054	\$0.30	S16054	\$0.30	S18002-F	\$1.08	
⑭	Diaphragm Shaft	S16014-2	\$9.90	S16016-2	\$17.98	S16016-2	\$17.98	S190052	\$25.35	
⑮	Diaphragm Plate Upper	S16017	\$1.45	S16019-A	\$2.81	S16019-A	\$2.81	S19010	\$28.83	
⑯	Diaphragm	S16056	\$10.48	S16058	\$19.64	S16058	\$19.64	S19006	\$65.58	
⑰	Diaphragm Plate Lower	S16021	\$1.69	S16023	\$4.73	S16023	\$4.73	S19011	\$34.82	
⑱	Diaphragm Spacer Nut	S16025-1	\$1.69	S16026	\$2.57	S16026	\$2.57			
⑲	Valve Disc Holder	S16028	\$6.76	S16030	\$13.08	S16031	\$17.98	S19012	\$35.49	
⑳	Valve Disc, Seat Washer	S16060	\$2.87	S16062	\$5.41	S16063	\$5.95	S19003	\$25.01	
㉑	Valve Disc, Retaining Washer	S16064	\$0.74	S16066	\$1.22	S16019	\$1.22			
㉒	Valve Disc Nut	S16032	\$1.15	S16033	\$1.28	S16033	\$1.28	S16003	\$1.28	
㉓	Self-Flushing Filter	S16540	\$5.58	S16539	\$5.58	S16539	\$5.58	S16539	\$5.58	
㉔	Diaphragm Assembly (Includes Parts 12-23)									
		S16212-L	\$43.03	S16214-L	\$75.21	S16215-L	\$80.65	S16216-L	\$300.07	
㉕	L-Fitting	S16500	\$3.72	S16500	\$3.72	S16500	\$3.72	S16500	\$3.72	
㉖	Valve Body/Standard	S16068	\$47.59	S16070	\$87.38	S16071	\$115.34	S19014	\$464.79	
㉗	Valve Body/Pressure Regulating	S16068-3	\$47.59	S16070-3	\$87.38	S16071-3	\$115.34	S19014-3	\$464.79	
㉘	Regulator	S16525	\$54.08	S16525	\$54.08	S16525	\$54.08	S16525	\$54.08	
㉙	1/8" Hex Nipple	S16524	\$1.52	S16524	\$1.52	S16524	\$1.52	S16524	\$1.52	
㉚	Shrader Valve	S16537	\$4.23	S16537	\$4.23	S16537	\$4.23	S16537	\$4.23	
㉛	L-Fitting and Bushing	S16500-1	\$3.72	S16500-1	\$3.72	S16500-1	\$3.72	S16500-1	\$3.72	
	Barbed L-Fitting (Bonnet)	S16527	\$4.56	S16527	\$4.56	S16527	\$4.56	S16527	\$4.56	
㉜	T-Tubing, EP Valves	S16513	\$3.08	S16514	\$3.68	S16514	\$3.68	S16515	\$4.90	
㉝	Exterior Tubing w/ Brass Insert (Standard Valves)									
		S16499	\$3.72	S16498	\$3.72	S16498	\$3.72	S16498	\$3.72	
	Repair Kit – All Rubber and Fiber Parts (Not Shown)									
		S17309	\$17.00	S17311	\$28.97	S17312	\$29.51	S17313	\$98.13	

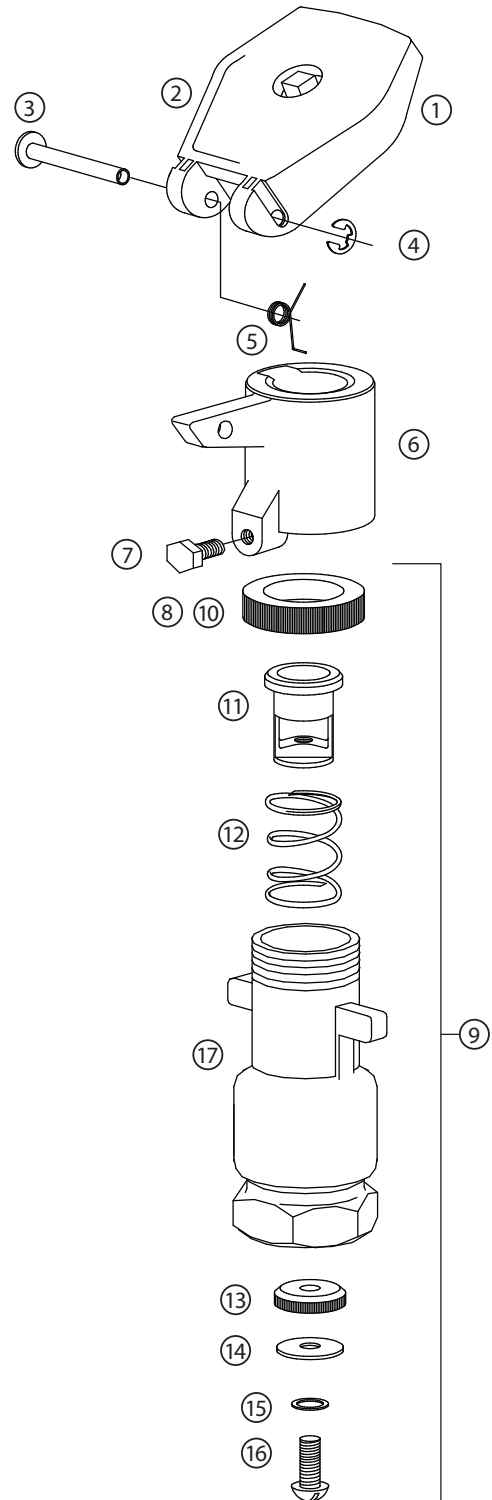
# HQ3RC: Quick Coupler Valve

Item	Description	Catalog No.	Price
①	Cover Kit - Yellow Non-Locking <i>(Includes items 2-5)</i>	150700	\$44.00
②	Cover - Yellow Non-Locking <i>(Use item #1 above)</i>	N/A	N/A
③	Hinge Pin - <i>(Use 7/32" x 2" stainless steel bolt)</i>	N/A	N/A
④	Retainer - Hinge Pin <i>(Use 7/32" stainless steel nylock nut)</i>	N/A	N/A
⑤	Spring - Cover Retraction <i>(Use item #1 above)</i>	N/A	N/A
⑥	Seal Kit - Upper <i>(Includes 25 each item #8)</i>	103600	\$58.00
⑦	Seal Kit - Complete <i>(Includes items 8-14)</i>	149500	\$36.50
⑧	Upper Seal <i>(Use item 6 or 7 above)</i>	N/A	N/A
⑨	Plunger <i>(Use item 7 above)</i>	N/A	N/A
⑩	Spring <i>(Use item 7 above)</i>	N/A	N/A
⑪	Seat <i>(Use item 7 above)</i>	N/A	N/A
⑫	Washer - Stainless steel <i>(Use item 7 above)</i>	N/A	N/A
⑬	Washer - Fiber <i>(Use item 7 above)</i>	N/A	N/A
⑭	Screw - Stainless steel <i>(Use item 7 above)</i>	N/A	N/A
⑮	Body - Brass <i>(Use new quick coupler, eg: HQ3RC)</i>	N/A	N/A



# HQ33RC, HQ33LRC, HQ33LRCR: Quick Coupler Valve

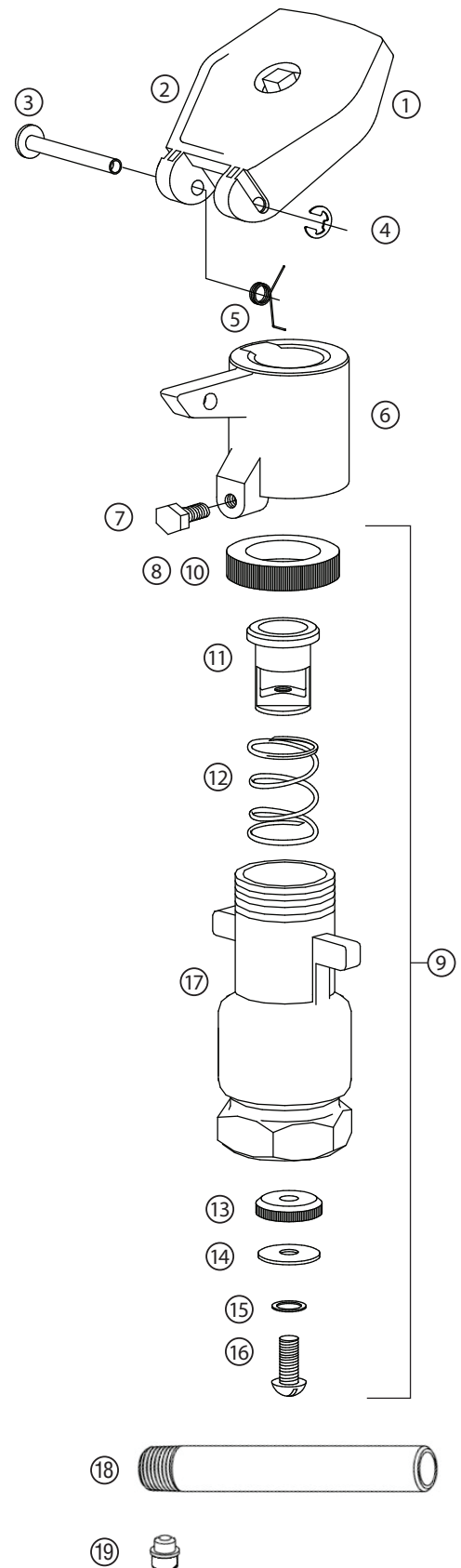
Item	Description	Catalog No.	Price															
①	Cover Kit - Yellow Non-Locking <i>(Includes items 2–5)</i>	150700	\$44.00															
	Cover Kit - Yellow Locking <i>(Includes items 2–5)</i>	158300	\$59.50															
	Cover Kit - Purple Locking <i>(Includes items 2–5)</i>	168000	\$59.50															
②	Cover - Yellow Non-Locking <i>(Use item #1 above)</i>	N/A	N/A															
	Cover - Yellow Locking <i>(Use item #1 above)</i>	N/A	N/A															
	Cover - Purple Locking <i>(Use item #1 above)</i>	N/A	N/A															
③	Hinge Pin <i>(Use 7/32" x 2" stainless steel bolt)</i>	N/A	N/A															
④	Retainer - Hinge Pin <i>(Use 7/32" x 2" stainless steel nylock bolt)</i>	N/A	N/A															
⑤	Spring - Cover Retraction <i>(Use item #1 above)</i>	N/A	N/A															
⑥	Upper Body Kit - Brass <i>(Includes items 6–7)</i>	169500	\$61.25															
⑦	Lock Bolt - Stainless Steel <i>(Use 1/4" x 1")</i>	N/A	N/A															
⑧	Seal Kit - Upper <i>(Includes 25 each item #10)</i>	168100	\$58.00															
⑨	Seal Kit - Complete <i>(Includes items 10–16)</i>	168200	\$36.50															
⑩	Upper Seal - <i>(Use item 8 or 9 above)</i>	N/A	N/A															
⑪	Plunger - <i>(Use item 9 above)</i>	N/A	N/A															
⑫	Spring - <i>(Use item 9 above)</i>	N/A	N/A															
⑬	Seat - <i>(Use item 9 above)</i>	N/A </tr <tr> <td>⑭</td> <td>Washer - Stainless Steel <i>(Use item 9 above)</i></td> <td>N/A</td> <td>N/A</td> </tr> <tr> <td>⑮</td> <td>Washer - Fiber <i>(Use item 9 above)</i></td> <td>N/A</td> <td>N/A</td> </tr> <tr> <td>⑯</td> <td>Screw - Stainless Steel <i>(Use item 9 above)</i></td> <td>N/A</td> <td>N/A</td> </tr> <tr> <td>⑰</td> <td>Body - Brass <i>(Use new quick coupler, e.g: HQ33LRC)</i></td> <td>N/A</td> <td>N/A</td> </tr>	⑭	Washer - Stainless Steel <i>(Use item 9 above)</i>	N/A	N/A	⑮	Washer - Fiber <i>(Use item 9 above)</i>	N/A	N/A	⑯	Screw - Stainless Steel <i>(Use item 9 above)</i>	N/A	N/A	⑰	Body - Brass <i>(Use new quick coupler, e.g: HQ33LRC)</i>	N/A	N/A
⑭	Washer - Stainless Steel <i>(Use item 9 above)</i>	N/A	N/A															
⑮	Washer - Fiber <i>(Use item 9 above)</i>	N/A	N/A															
⑯	Screw - Stainless Steel <i>(Use item 9 above)</i>	N/A	N/A															
⑰	Body - Brass <i>(Use new quick coupler, e.g: HQ33LRC)</i>	N/A	N/A															



# HQ44RC, HQ44LRC, HQ44LRCR: Quick Coupler Valve

Item	Description	Catalog No.	Price															
①	Cover Kit - Yellow Non-Locking <i>(Includes items 2–5)</i>	168300	\$45.25															
	Cover Kit - Yellow Locking <i>(Includes items 2–5)</i>	168400	\$65.50															
	Cover Kit - Purple Locking <i>(Includes items 2–5)</i>	168500	\$65.50															
②	Cover - Yellow Non-Locking <i>(Use item #1 above)</i>	N/A	N/A															
	Cover - Yellow Locking <i>(Use item #1 above)</i>	N/A	N/A															
	Cover - Purple Locking <i>(Use item #1 above)</i>	N/A	N/A															
③	Hinge Pin <i>(Use 7/32" x 2" stainless steel bolt)</i>	N/A	N/A															
④	Retainer - Hinge Pin <i>(Use 7/32" x 2" stainless steel nylock bolt)</i>	N/A	N/A															
⑤	Spring - Cover Retraction <i>(Use item #1 above)</i>	N/A	N/A															
⑥	Upper Body Kit - Brass <i>(Includes items 6–7)</i>	169600	\$72.75															
⑦	Lock Bolt - <i>(Use 1/4" x 1" stainless steel)</i>	N/A	N/A															
⑧	Seal Kit - Upper <i>(Includes 25 each item #10)</i>	168600	\$75.25															
⑨	Seal Kit - Complete <i>(Includes items 10–16)</i>	168700	\$40.00															
⑩	Upper Seal - <i>(Use item 8 or 9 above)</i>	N/A	N/A															
⑪	Plunger - <i>(Use item 9 above)</i>	N/A	N/A															
⑫	Spring - <i>(Use item 9 above)</i>	N/A	N/A															
⑬	Seat - <i>(Use item 9 above)</i>	N/A </tr <tr> <td>⑭</td> <td>Washer - Stainless Steel <i>(Use item 9 above)</i></td> <td>N/A</td> <td>N/A</td> </tr> <tr> <td>⑮</td> <td>Washer - Fiber <i>(Use item 9 above)</i></td> <td>N/A</td> <td>N/A</td> </tr> <tr> <td>⑯</td> <td>Screw - Stainless Steel <i>(Use item 9 above)</i></td> <td>N/A</td> <td>N/A</td> </tr> <tr> <td>⑰</td> <td>Body - Brass <i>(Use new quick coupler, e.g: HQ33LRC)</i></td> <td>N/A</td> <td>N/A</td> </tr>	⑭	Washer - Stainless Steel <i>(Use item 9 above)</i>	N/A	N/A	⑮	Washer - Fiber <i>(Use item 9 above)</i>	N/A	N/A	⑯	Screw - Stainless Steel <i>(Use item 9 above)</i>	N/A	N/A	⑰	Body - Brass <i>(Use new quick coupler, e.g: HQ33LRC)</i>	N/A	N/A
⑭	Washer - Stainless Steel <i>(Use item 9 above)</i>	N/A	N/A															
⑮	Washer - Fiber <i>(Use item 9 above)</i>	N/A	N/A															
⑯	Screw - Stainless Steel <i>(Use item 9 above)</i>	N/A	N/A															
⑰	Body - Brass <i>(Use new quick coupler, e.g: HQ33LRC)</i>	N/A	N/A															

Item	Description	Catalog No.	Price
⑱	Handle Kit - for HK44 Key <i>(includes 10 handles)</i>	169200	\$32.00
⑲	Lug Kit - for HK44 Key <i>(includes 10 each item #19)</i>	169400	\$78.75

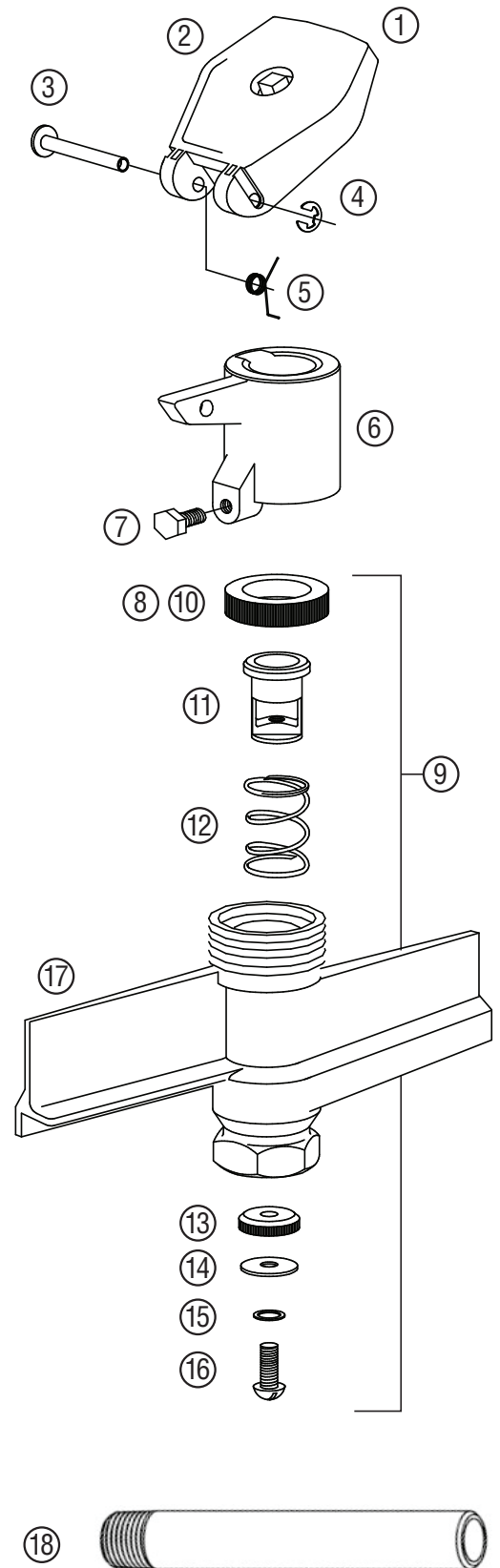




# HQ44RCAW, HQ44LRCAW, HQ44LRCAWR: Quick Coupler Valve

Item	Description	Catalog No.	Price
①	Cover Kit - Yellow Non-Locking <i>(Includes items 2–5)</i>	168300	\$45.25
	Cover Kit - Yellow Locking <i>(Includes items 2–5)</i>	168400	\$65.50
	Cover Kit - Purple Locking <i>(Includes items 2–5)</i>	168500	\$65.50
②	Cover - Yellow Non-Locking <i>(Use item #1 above)</i>	N/A	N/A
	Cover - Yellow Locking <i>(Use item #1 above)</i>	N/A	N/A
	Cover - Purple Locking <i>(Use item #1 above)</i>	N/A	N/A
③	Hinge Pin <i>(Use 7/32" x 2" stainless steel bolt)</i>	N/A	N/A
④	Retainer - Hinge Pin <i>(Use 7/32" x 2" stainless steel nylock bolt)</i>	N/A	N/A
⑤	Spring - Cover Retraction <i>(Use item #1 above)</i>	N/A	N/A
⑥	Upper Body Kit - Brass <i>(Includes items 6–7)</i>	169700	\$96.25
⑦	Lock Bolt <i>(Use 1/4" x 1" stainless steel)</i>	N/A	N/A
⑧	Seal Kit - Upper <i>(Includes 25 each item #10)</i>	168600	\$75.25
⑨	Seal Kit - Complete <i>(Includes items 10–16)</i>	168700	\$40.00
⑩	Upper Seal - <i>(Use item 8 or 9 above)</i>	N/A	N/A
⑪	Plunger - <i>(Use item 9 above)</i>	N/A	N/A
⑫	Spring - <i>(Use item 9 above)</i>	N/A	N/A
⑬	Seat - <i>(Use item 9 above)</i>	N/A </td <td>N/A</td>	N/A
⑭	Washer - Stainless Steel <i>(Use item 9 above)</i>	N/A	N/A
⑮	Washer - Fiber <i>(Use item 9 above)</i>	N/A	N/A
⑯	Screw - Stainless Steel <i>(Use item 9 above)</i>	N/A	N/A
⑰	Body - Brass <i>(Use new quick coupler e.g: HQ44RCAW)</i>	N/A	N/A

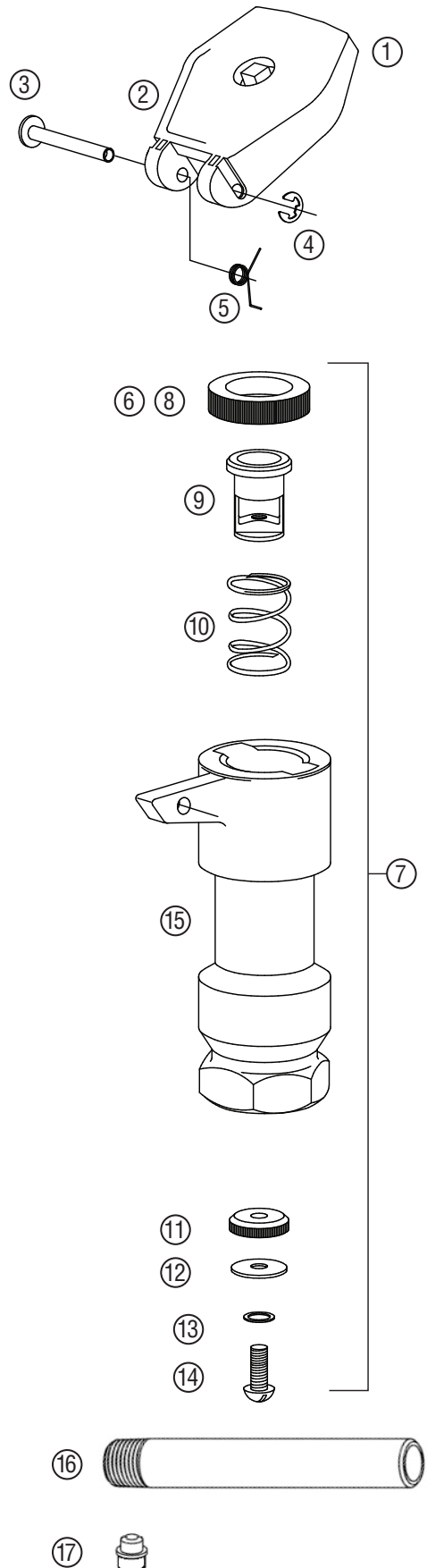
Item	Description	Catalog No.	Price
⑱	Handle Kit - for HK44 Key <i>(Includes 10 handles)</i>	169200	\$32.00



# HQ5RC, HQ5LRC, HQ5LRCR: Quick Coupler Valve

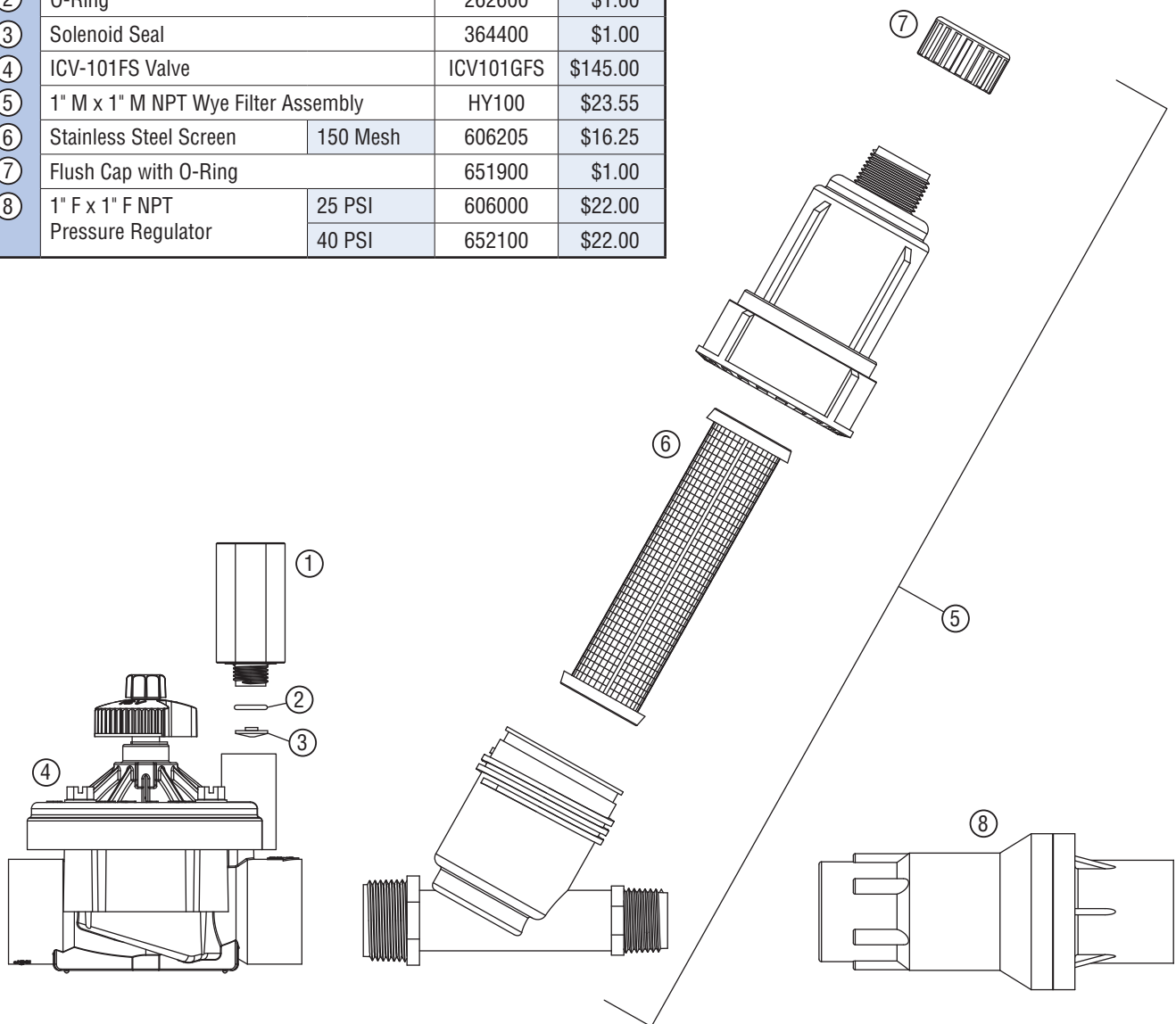
Item	Description	Catalog No.	Price
①	Cover Kit - Yellow Non-Locking <i>(Includes items 2–5)</i>	168300	\$45.25
	Cover Kit - Yellow Locking <i>(Includes items 2–5)</i>	168800	\$61.50
	Cover Kit - Purple Locking <i>(Includes items 2–5)</i>	168900	\$65.50
②	Cover - Yellow Non-Locking <i>(Use item #1 above)</i>	N/A	N/A
	Cover - Yellow Locking <i>(Use item #1 above)</i>	N/A	N/A
	Cover - Purple Locking <i>(Use item #1 above)</i>	N/A	N/A
③	Hinge Pin <i>(Use 7/32" x 2" stainless steel bolt)</i>	N/A	N/A
④	Retainer - Hinge Pin <i>(Use 7/32" x 2" stainless steel nylock bolt)</i>	N/A	N/A
⑤	Spring - Cover Retraction <i>(Use item #1 above)</i>	N/A	N/A
⑥	Seal Kit - Upper <i>(Includes 25 each item #8)</i>	169000	\$76.25
⑦	Seal Kit - Complete <i>(Includes items 8–14)</i>	169100	\$41.75
⑧	Upper Seal - <i>(Use item 6 or 7 above)</i>	N/A	N/A
⑨	Plunger - <i>(Use item 7 above)</i>	N/A	N/A
⑩	Spring - <i>(Use item 7 above)</i>	N/A </td <td>N/A</td>	N/A
⑪	Seat - <i>(Use item 7 above)</i>	N/A	N/A
⑫	Washer - Stainless Steel <i>(Use item 7 above)</i>	N/A	N/A
⑬	Washer - Fiber <i>(Use item 7 above)</i>	N/A	N/A
⑭	Screw - Stainless Steel <i>(Use item 7 above)</i>	N/A	N/A
⑮	Body - Brass <i>(Use new quick coupler e.g: HQ5RC/HQ5RCB)</i>	N/A	N/A

Item	Description	Catalog No.	Price
⑯	Handle Kit - for HK55 Key <i>(Includes 10 handles)</i>	169300	\$41.50
⑰	Lug Kit - for HK55 Key <i>(Includes 10 each item #17)</i>	169400	\$78.75



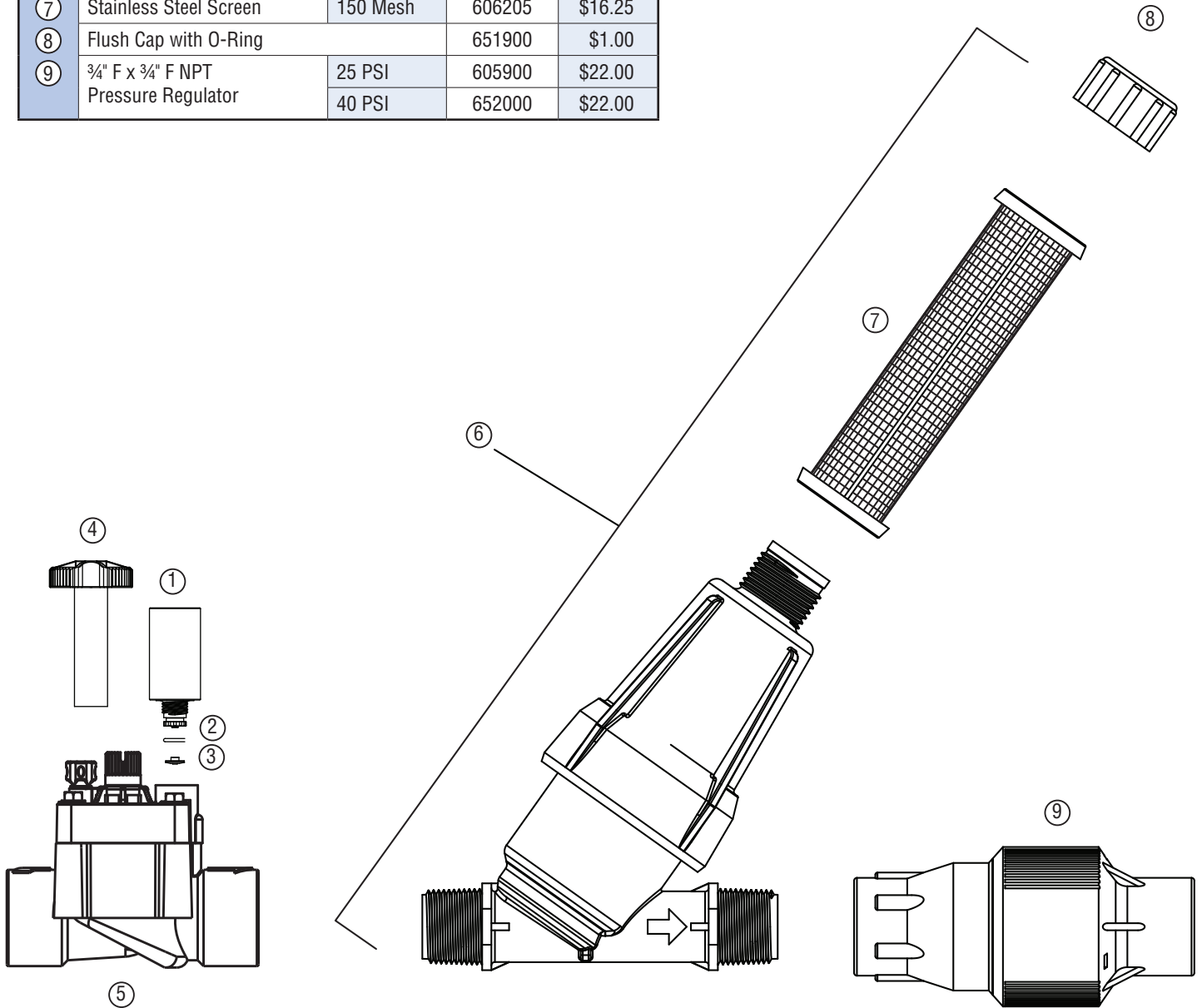
# ICZ-101: Drip Control Zone Kit

Item	Description		Catalog No.	Price
①	Solenoid Assembly (Includes parts 2 & 3)	AC Solenoid	606800	\$11.50
		DC Solenoid	458200	\$37.99
②	O-Ring		262600	\$1.00
③	Solenoid Seal		364400	\$1.00
④	ICV-101FS Valve		ICV101GFS	\$145.00
⑤	1" M x 1" M NPT Wye Filter Assembly		HY100	\$23.55
⑥	Stainless Steel Screen	150 Mesh	606205	\$16.25
⑦	Flush Cap with O-Ring		651900	\$1.00
⑧	1" F x 1" F NPT Pressure Regulator	25 PSI	606000	\$22.00
		40 PSI	652100	\$22.00



# PCZ-101: Drip Zone Control Kit

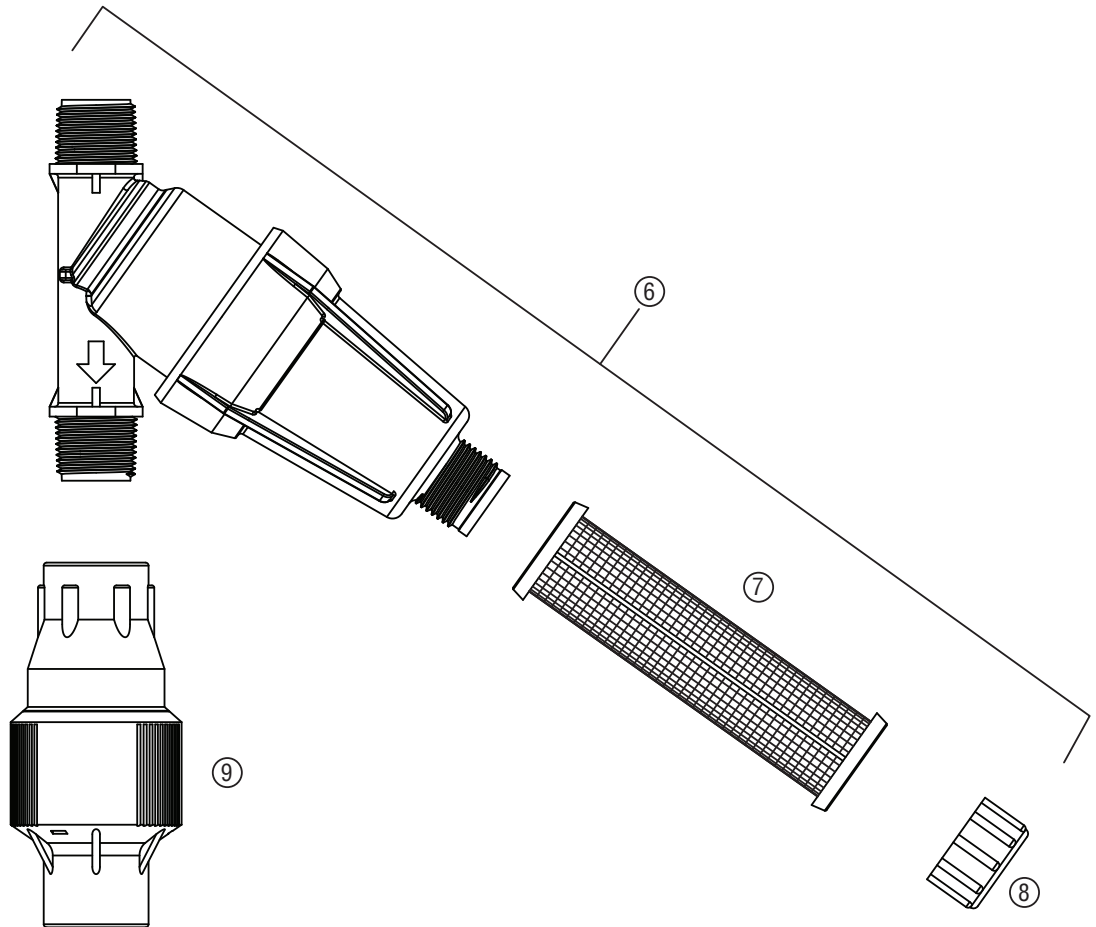
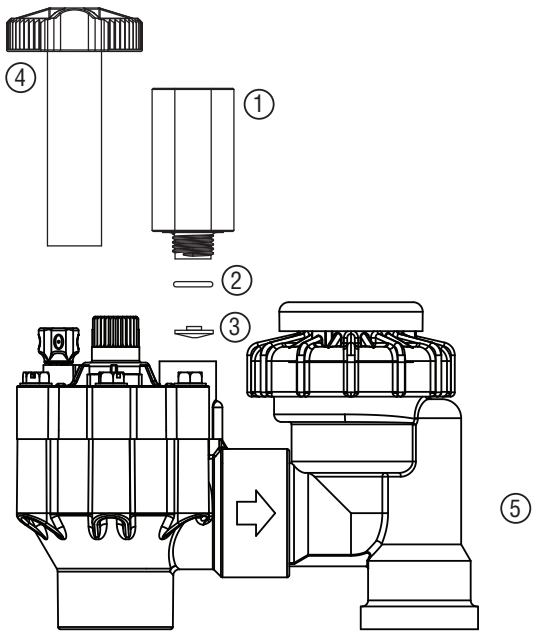
Item	Description		Catalog No.	Price
①	Solenoid Assembly <i>(Includes parts 2 &amp; 3)</i>	AC Solenoid	606800	\$11.50
		DC Solenoid	458200	\$37.99
②	O-Ring		262600	\$1.00
③	Solenoid Seal		364400	\$1.00
④	Handle Flow Control	Black	269200	\$2.00
		Purple	269205	\$2.00
⑤	PGV101G Valve		PGV101G	\$30.00
⑥	1" M x 3/4" M NPT Wye Filter Assembly		HY10075	\$23.55
⑦	Stainless Steel Screen	150 Mesh	606205	\$16.25
⑧	Flush Cap with O-Ring		651900	\$1.00
⑨	3/4" F x 3/4" F NPT Pressure Regulator	25 PSI	605900	\$22.00
		40 PSI	652000	\$22.00





# ACZ-075: Drip Control Zone Kit

Item	Description		Catalog No.	Price
①	Solenoid Assembly <i>(Includes parts 2 &amp; 3)</i>	AC Solenoid	434100	\$11.50
		DC Solenoid	458200	\$37.99
②	O-Ring		262600	\$1.00
③	Solenoid Seal		364400	\$1.00
④	Handle Flow Control	Black	269200	\$2.00
		Purple	269205	\$2.00
⑤	¾" PGV-ASV Valve		PGV-075-ASV	\$28.00
⑥	¾" M x ¾" M NPT Wye Filter Assembly		HY075	\$20.35
⑦	Stainless Steel Screen	100 Mesh	606200	\$16.25
		150 Mesh	606205	\$16.25
⑧	Flush Cap with O-Ring		651900	\$1.00
⑨	¾" F x ¾" F NPT Pressure Regulator	25 PSI	605900	\$22.00
		40 PSI	652000	\$22.00



## **STATEMENT OF WARRANTY**

Hunter Industries Incorporated (“Hunter”) warrants the following products to be free of defects in materials or workmanship under normal use for a period of two (2) years from the original date of manufacture: PGP-ADJ®, PGJ, PS, PS Ultra, SRS, Pro-Spray®, Spray Nozzles, PCN, PCB, AFB, HPV, PGV family, Pro-ASV, SRV, SRC, XC family, Pro-C family, SRR, ROAM, SVC, WVP, WVS, MP Rotator, PLD, PACZ, PCZ, AVB, PSR, HCV, SJ, HFT family, SBE family, RZWS, ET System, and Solar Sync. Hunter warrants the following products to be free of defects in materials or workmanship under normal use for a period of three (3) years from the original date of manufacture: PGP Ultra family. Hunter warrants the following products to be free of defects in materials or workmanship under normal use for a period of one (1) year from the original date of manufacture: SRM family, Micro Sprays, and Stream Drippers. Hunter warrants the following products to be free of defects in materials or workmanship under normal use for a period of five (5) years from the original date of manufacture: Institutional Spray, G-Spray, MPR-40 family, I-20, I-25, I-35, I-40, I-60 and I-90 families, ICC, I-CORE, and ACC controller families, ICD Decoder Products, ICR Remotes, IMMS™ Central Control Products, “Clik” Sensors, HQ, ICV plastic and IBV brass valves, ICZ and PLD tubing. [If a defect in a Hunter product is discovered during the applicable warranty period, Hunter will repair or replace, at its option, the product or the defective part.] This warranty does not extend to repairs, adjustments, or replacement of a Hunter product or part that results from misuse, negligence, alteration, modification, tampering, or improper installation and/or maintenance of the product. This warranty extends only to the original installer of the Hunter product. If a defect arises in a Hunter product or part during the warranty period, you should contact your local Hunter Authorized Distributor.

HUNTER’S OBLIGATION TO REPAIR OR REPLACE ITS PRODUCTS AS SET FORTH ABOVE IS THE SOLE AND EXCLUSIVE WARRANTY SET FORTH BY HUNTER. THERE ARE NO OTHER WARRANTIES, EXPRESSED OR IMPLIED, INCLUDING WARRANTIES OF MERCHANTABILITY AND FITNESS FOR A PARTICULAR PURPOSE. HUNTER WILL NOT BE LIABLE TO ANY PARTY IN STRICT LIABILITY, TORT, CONTRACT, OR ANY OTHER MANNER FOR DAMAGES CAUSED OR CLAIMED TO BE CAUSED AS A RESULT OF ANY DESIGN OR DEFECT IN HUNTER’S PRODUCTS, OR FOR ANY SPECIAL, INCIDENTAL OR CONSEQUENTIAL DAMAGES OF ANY NATURE.

If you have any questions concerning the warranty or its application, please write to: Marketing Department, Hunter Industries Incorporated, 1940 Diamond Street, San Marcos, CA 92078, U.S.A.

## **ASAE CERTIFICATION STATEMENT**

Hunter Industries Incorporated certifies that pressure, flow rate, and radius data for these products were determined and listed in accordance with ASAE Standard S398.1, Procedure for Sprinkler Testing and Performance Reporting, and are representative of performance of production sprinklers at the time of publication. Actual product performance may differ from the published specifications due to normal manufacturing variations and sample selection. All other specifications are solely the recommendation of Hunter Industries Incorporated.

## **U.S.A. HEADQUARTERS**

1940 Diamond Street  
San Marcos, California 92078  
Tel: (1) 760-744-5240  
Fax: (1) 760-744-7461  
Technical Service: (1) 800-733-2823

## **INTERNET**

www.hunterindustries.com  
e-mail: information@hunterindustries.com

## **WORLDWIDE SALES OFFICES:**

### **AUSTRALIA**

8 The Parade West  
Kent Town, South Australia 5067  
TEL: (61) 8-8363-3599  
FAX: (61) 8-8363-3687

### **EUROPE**

Avda. Diagonal 523, 5º - 2º  
Edificio Atalaya  
08029 Barcelona, Spain  
Tel: (34) 9-34-94-88-81  
Fax: (34) 9-34-19-76-76

### **MIDDLE EAST**

P.O. Box 211303  
Amman, 11121 Jordan  
Tel: (962) 6-515-2882  
Fax: (962) 6-515-2992

### **CHINA**

B1618, Huibin Office Bldg.  
No. 8, Beichen Dong Street  
Beijing 100101 China  
Tel/Fax: (86) 10-84975146  
Mobile: (86) 13901321516

## **MANUFACTURING:**

### **MEXICO**

Calle Nordika #8615  
Parque Industrial Nordika  
Tijuana, B.C. Mexico C.P. 22709  
Tel: (52) 664-903-1300  
Fax: (52) 664-903-8078