

ST-1600 ROTORS PARTS PRICE LIST

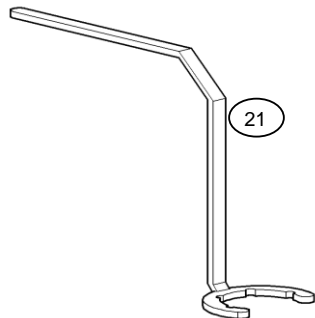
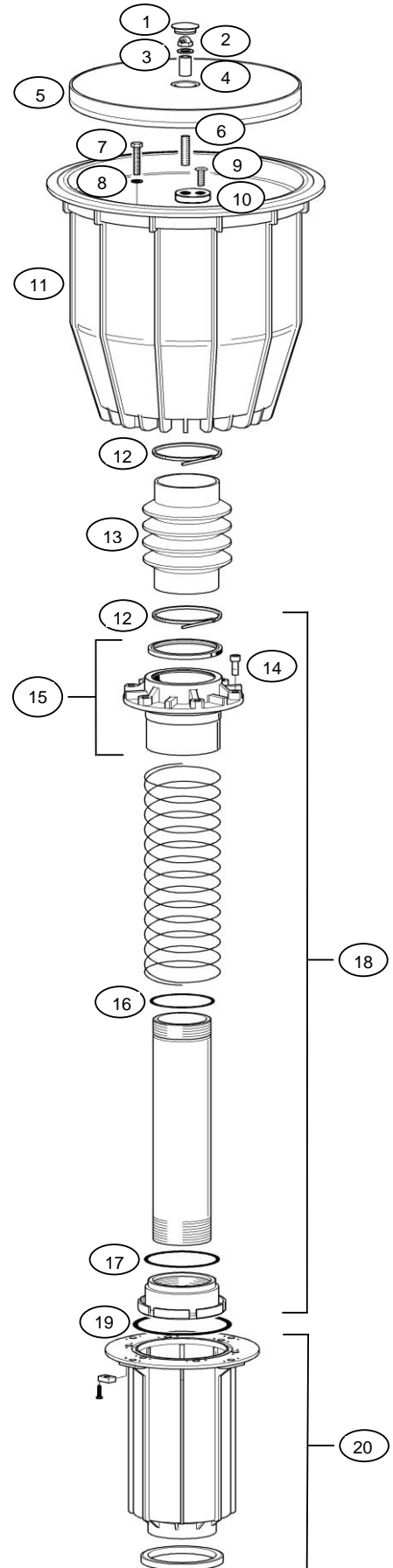
EFFECTIVE JUNE 1, 2012



ROTORS SPRAYS MP ROTATOR VALVES CONTROLLERS SENSORS CENTRAL CONTROLS MICRO

ST-1600B Pop-Up

Item	Description	Part No.	Price
1	Plug - Logo Cap	189779	\$6.75
2	Nut - Logo Cap Retension	189781	\$2.50
3	Washer - Logo Cap Retension	194920	\$1.00
4	Support Tube - Logo Cap (brass)	180515	\$6.75
5	Logo Cap - Green	204205	\$80.00
6	Stud - Threaded	204905	\$7.50
7	Bolt - Upper Body Case Retension	204943	\$1.00
8	Washer - Upper Body Retension	194921	\$1.00
9	Screw - Base Support Retension	205102	\$1.00
10	Base Support - Logo Cap (brass)	502419	\$26.50
11	Case - Upper Body	502432	\$225.00
12	Zip-Tie Retainer (2 used)	205601	\$6.00
13	Rubber Boot - Telescoping	502423	\$75.00
14	Allen Screw - Flange Ret. (6 used)	205117	\$2.50
15	Flange and Seal Assembly	204206	\$110.00
16	O-ring - Pop-Up to Turret Inlet Seal	252107	\$1.50
17	O-ring - Pop-up Base Seal	252109	\$1.00
18	Pop-Up Assembly (incl. 12 thru 17)	502436	\$495.00
19	O-ring - Flange to Lower Body	252112	\$5.00
20	Lower Body Case Assembly	502442	\$195.00
21	Tool - Gear Drive Remove / Install	517600	\$95.00



ST-1600 Gear-Drive: B and BR Models

Item	Description	Part No.	Price
1	Retainer - Primary Nozzle	502402	\$17.50
2	Nozzles - Primary (each)		
	#16 - Black	784700	\$12.00
	#18 - Black	784801	\$12.00
	#20 - Black	784802	\$12.00
	#22 - Black	784803	\$12.00
	#24 - Black	784804	\$12.00
	#26 - Black	784805	\$12.00
3	O-ring - Primary Nozzle Seal	252113	\$2.50
4	Nozzle - Secondary (each)		
	Standard 6.0	788500	\$17.50
	6.5	788501	\$17.50
	7.0	788502	\$17.50
5	Elbow - Secondary Nozzle	502451	\$10.00
6	O-ring - Elbow Seal	252114	\$1.00
7	Screw - Elbow Retainer (2 used)	205119	\$1.00
8	Cover - Gearbox	502455	\$6.00
9	Gearbox Assembly (incl. 8 & 10)	502457	\$295.00
10	Coupler - Gearbox to Turbine	502459	\$2.00
11	Screw - Coupler Connection (2 used)	205121	\$1.50
12	Screw - Large Interior (2 used)	205106	\$3.00
13	Screw - Small Exterior (2 used)	205123	\$3.75
14	Knob - Speed Control	510101	\$39.00
15	O-ring - Speed Control Knob	252115	\$1.00
16	Screw - Brass - Turbine Access	205124	\$28.00
17	O-ring - Turbine Access Screw	252115	\$1.00
18	Cover Assembly - Turbine (incl.14 thru 17)	510155	\$65.00
19	O-ring - Cover Assembly	252118	\$1.00
20	Turbine Assembly (incl. bearing, seal & washer)	510159	\$95.00
21	Screw - Cover Assembly (6 used)	205131	\$1.25
22	Nut - Cover Assembly (6 used)	189782	\$0.50
23	Screw - Speed Control Knob (2 used)	205106	\$3.00
24	Turret & Transmission Assembly	510162	\$295.00
25	Allen Screw - Turret & Transmission Assembly (4 used)	205116	\$2.50
26	Reversing Mechanism Assembly	510164	\$195.00
27	Gasket - Reversing Mechanism Assembly	205609	\$3.00
28	Screw - Short - Reversing Mechanism (8 used)	205127	\$0.50
29	Screw - Long - Reversing Mechanism (1 used)	205129	\$0.50
30	Rubber Boot Cover Assembly - Shifter Arm	510166	\$38.00
31	Screw - Cover Assembly (4 used)	205123	\$0.50
32	Seal - Lower Turret & Transmission Assembly	205612	\$15.00
33	Cover - Lower Seal Turret & Transmission Assembly	205616	\$16.00

ST-1600 Gear-Drive: B and BR Models (continued)

Item	Description	Part No.	Price
34	Screw - Lower Seal Cover (6 used)	205127	\$0.50
35	O-ring - Turret/Transmission to Turret Inlet Assembly	252119	\$3.00
36	Turret Inlet Assembly	510167	\$595.00
37	Stop Rings - Arc Adjust (2 used)	205617	\$30.00

