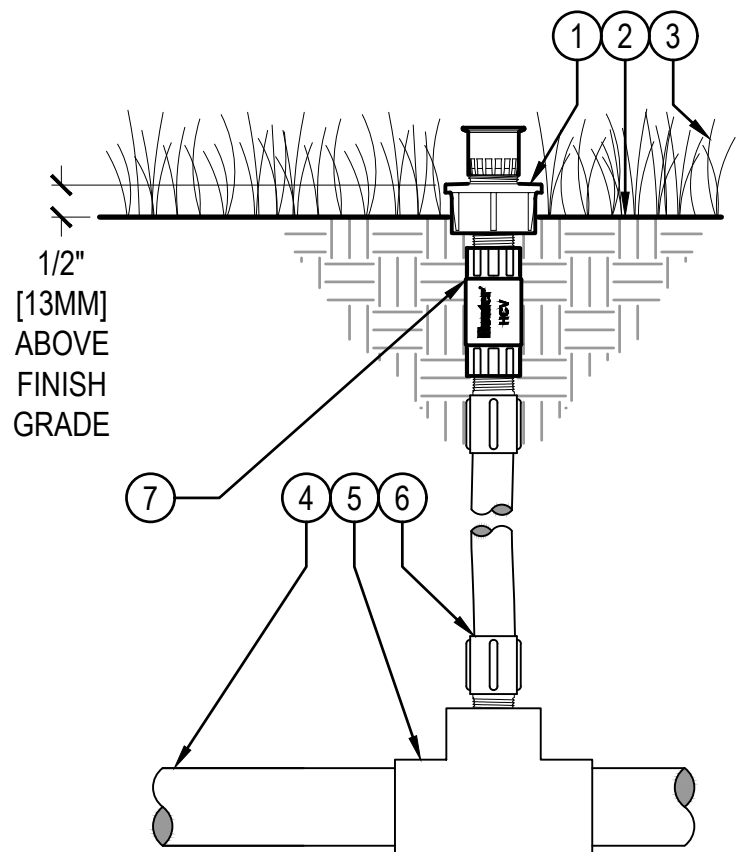


LEGEND

- ① HUNTER SPRAY BODY (PROS-00),
NOZZLE PER PLAN
- ② FINISHED GRADE
- ③ ADJACENT LANDSCAPE
- ④ LATERAL PIPE PER PLAN
- ⑤ LATERAL FITTING PER PLAN
- ⑥ PREMANUFACTURED
FLEXIBLE PVC SWING ARM
(HUNTER IH OR PER PLAN)
- ⑦ CHECK VALVE (HUNTER
HCV)



SHRUB ADAPTER (PROS-00) WITH IH RISER AND CHECK VALVE



Hunter® SB.PRO.14

NO SCALE