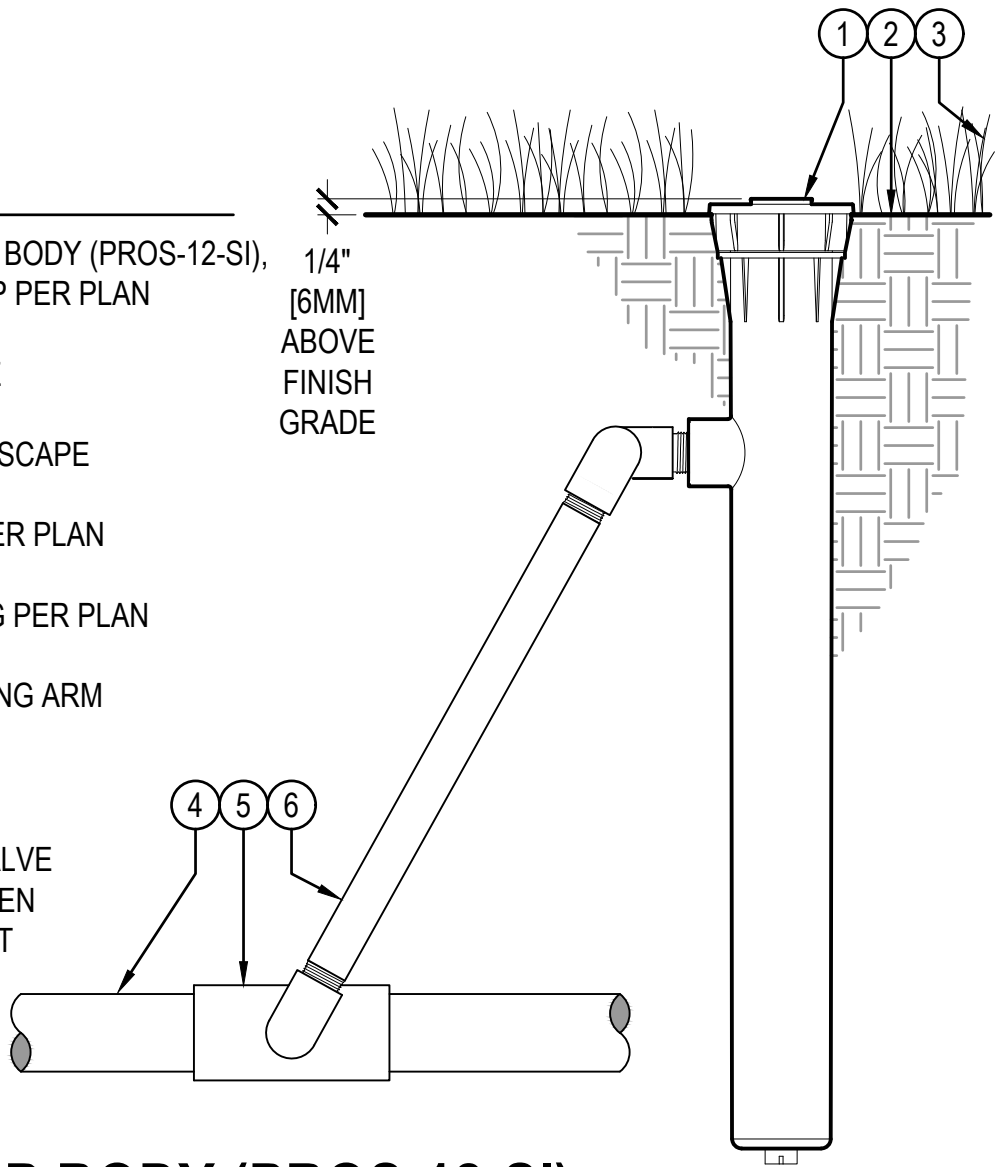


## LEGEND

- ① HUNTER POP-UP BODY (PROS-12-SI), NOZZLE AND CAP PER PLAN
- ② FINISHED GRADE
- ③ ADJACENT LANDSCAPE
- ④ LATERAL PIPE PER PLAN
- ⑤ LATERAL FITTING PER PLAN
- ⑥ FIELD-BUILT SWING ARM

NOTE: CHECK VALVE  
INOPERABLE WHEN  
USING SIDE INLET



## POP-UP BODY (PROS-12-SI) WITH SWING ARM



Hunter® SB.PRO.40

NO SCALE