

PCM-1600

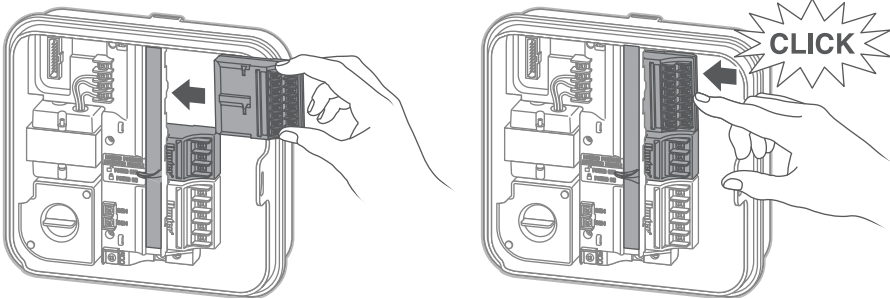
16-Station Expansion Module Installation Guide for Pro-C® and HPC Controllers



ENGLISH

Pro-C and HPC Controllers are supplied with a base 4-station module. Additional modules may be added separately in increments of 3 stations (PCM-300), 9 stations (PCM-900), or 16 stations (PCM-1600). In total, the system may be expanded up to 23 stations.

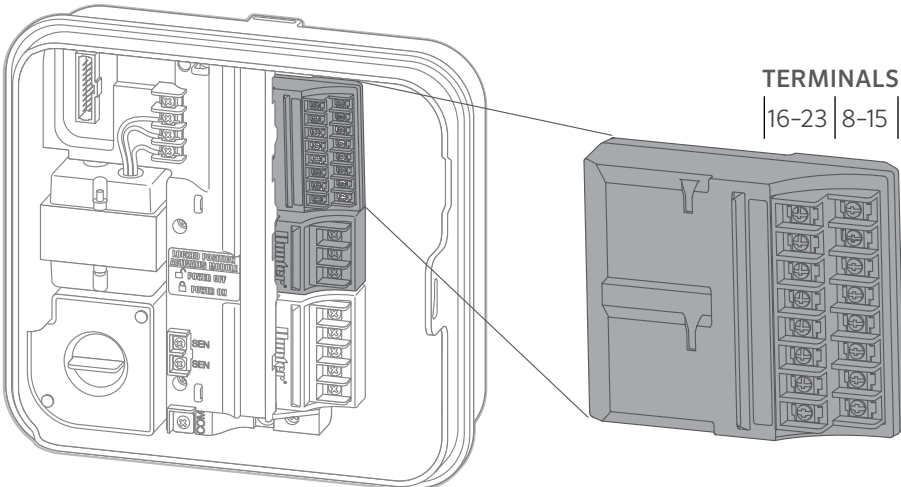
NOTE: To expand your controller to 16 or 23 stations with a PCM-900 or PCM-1600, respectively, install one PCM-300 in the first expansion slot (stations 5-7). Then install the PCM-900 or PCM-1600 in the upper two expansion slots. These modules will not fit or operate in any other station output slot.



BASE 4-STATION MODULE + PCM300 + PCM1600

Installing PCM Modules

1. Slide the “Power Lock” into the “Power Off” (unlocked) position. Insert any additional station modules into the appropriate output slots.
2. Once all modules are in place, slide the “Power Lock” into the “Power On” (locked) position to energize and secure the modules into the controller.
3. The controller will automatically recognize the correct number of stations. In some cases, it may be necessary to press the reset button on the back of the facepack or cycle power to the controller.



TERMINALS

| 16-23 | 8-15 |

FCC Compliance Notice

This device complies with part 15 of FCC rules. Operation is subject to the following two conditions:

1. This device may not cause harmful interference.
2. This device must accept any interference received, including interference that may cause undesired operation.

This equipment has been tested and found to comply with the limits for a Class B digital device pursuant to Part 15 of the FCC Rules. These limits are designed to provide reasonable protection against harmful interference in a residential installation. This equipment generates, uses, and can radiate radio frequency energy and, if not installed and used in accordance with the instructions, may cause harmful interference to radio communications. However, there is no guarantee that interference will not occur in a particular installation. If this equipment does cause harmful interference to radio or television reception, which can be determined by turning the equipment off and on, you are encouraged to try to correct the interference by taking one or more of the following measures:

- Reorient or relocate the receiving antenna.
- Increase the separation between the equipment and receiver.
- Connect the equipment into an outlet on a circuit different from that of which the receiver is connected.
- Consult the dealer or an experienced radio/TV technician for help.

Changes or modifications not expressly approved by Hunter Industries could void the user's authority to operate this device. If necessary, consult a representative of Hunter Industries Inc. or an experienced radio/television technician for additional suggestions.



Certificate of Conformity to European Directives

Hunter Industries declares that the irrigation controller model PCM-1600 complies with the standards of the European Directives of "electromagnetic compatibility" 2014/30/EU and "low voltage" 2014/35/EC.

Innovation, Science and Economic Development Canada (ISED) Compliance Notice

This device contains license-exempt transmitter(s)/receiver(s) that comply with Innovation, Science and Economic Development Canada's license-exempt RSS(s).

Operation is subject to the following two conditions:

1. This device may not cause interference, and
2. This device must accept any interference, including interference that may cause undesired operation of the device.

Le présent appareil est conforme aux CNR d'Innovation, Sciences et Développement économique Canada applicables aux appareils radio exempts de licence. L'exploitation est autorisée aux deux conditions suivantes:

1. L'appareil ne doit pas produire de brouillage, et
2. L'utilisateur de l'appareil doit accepter tout brouillage radioélectrique subi, même si le brouillage est susceptible d'en compromettre le fonctionnement.

Troubleshooting

Find more helpful information about your product, including installation tips, controller programming, and more.



<http://hunter.info/proc>



<http://hunter.info/hpcsupport>

HUNTER INDUSTRIES™ | Built on Innovation®
1940 Diamond Street, San Marcos, California 92078 USA
hunterindustries.com

© 2021 Hunter Industries™. Hunter, the Hunter logo, and all other trademarks are property of Hunter Industries, registered in the U.S. and other countries.